

AXKID

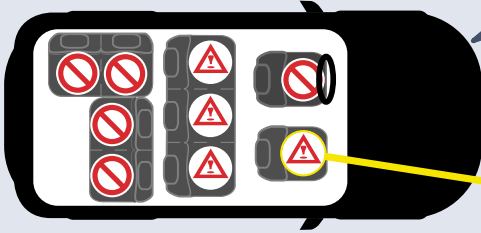
SPINKID 2



UN regulation no. 129
Instruction Manual
AXKID SPINKID 2, 40-105 cm

**Designed
in Sweden**

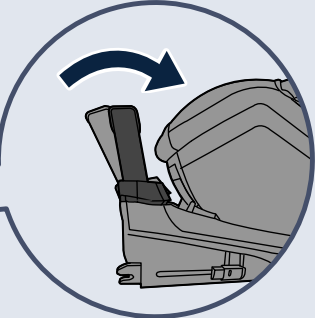
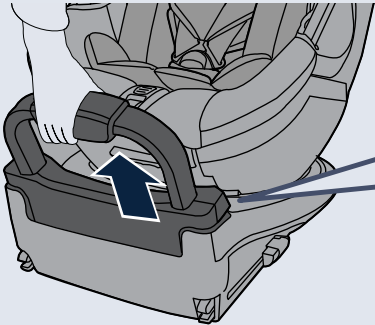




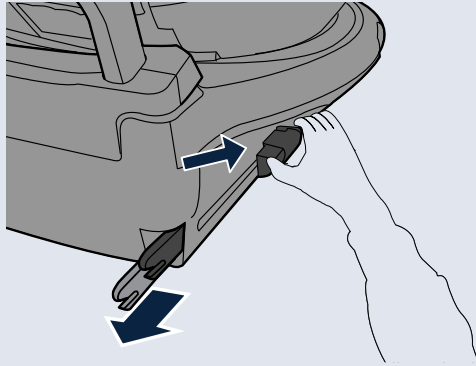
1



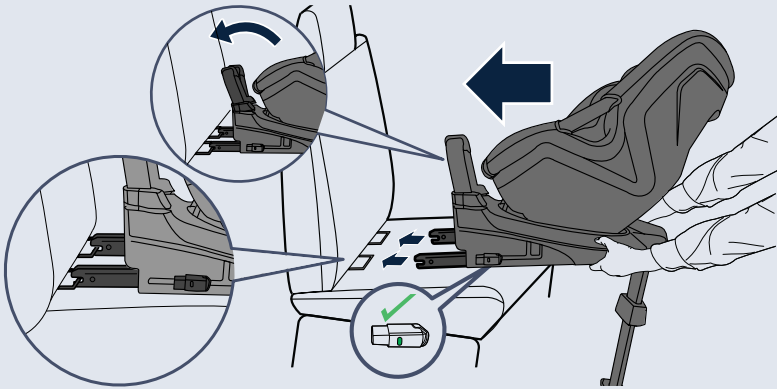
2



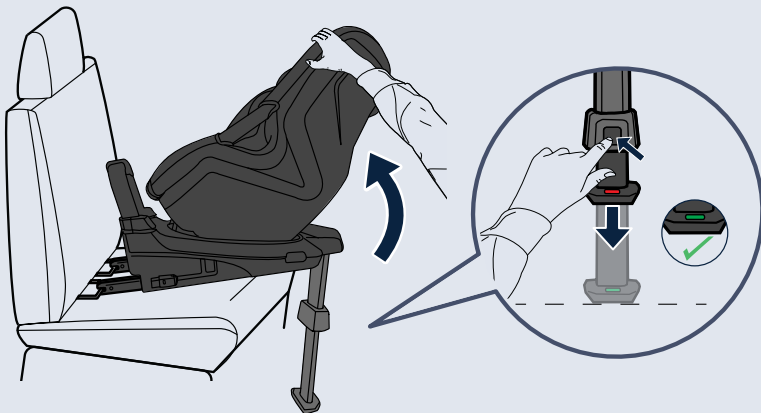
3



4

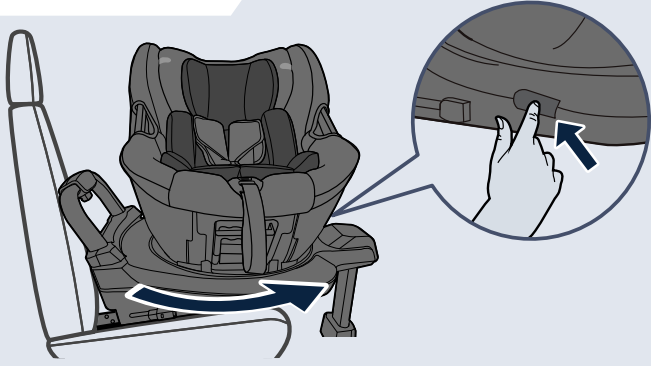


5

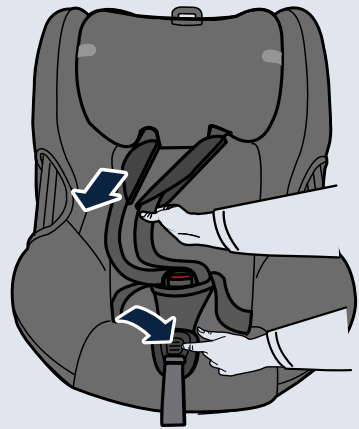




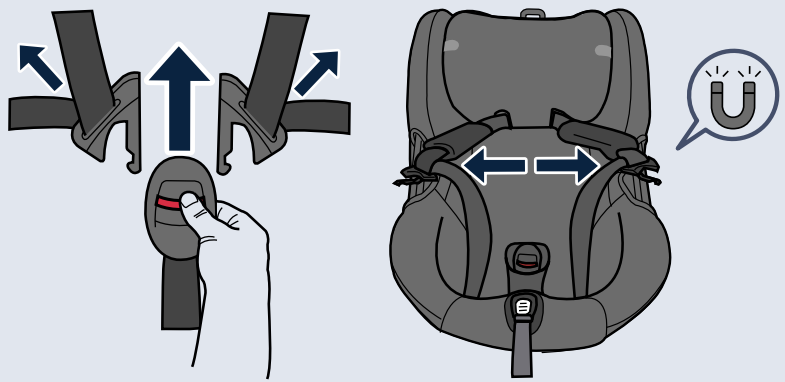
6



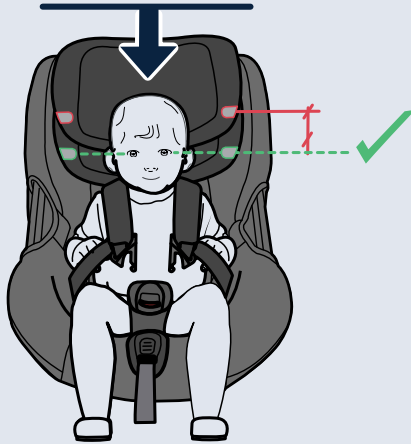
7



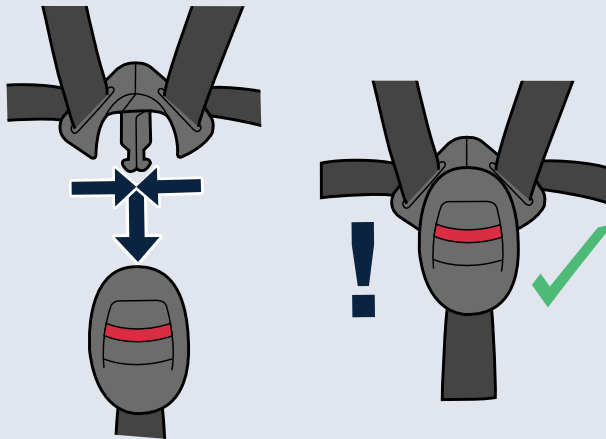
8



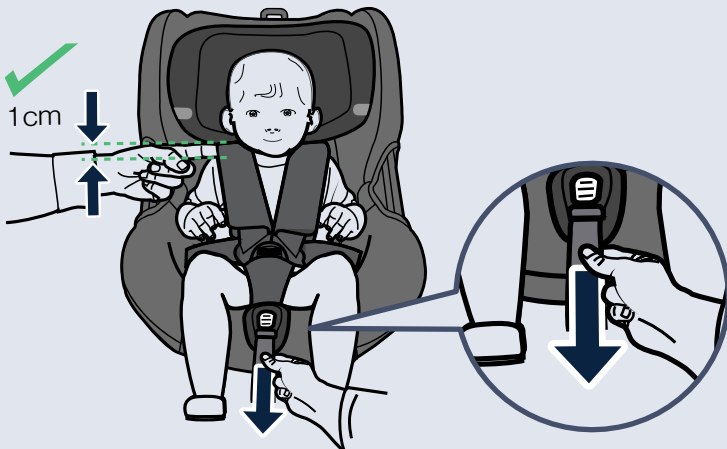
9



10

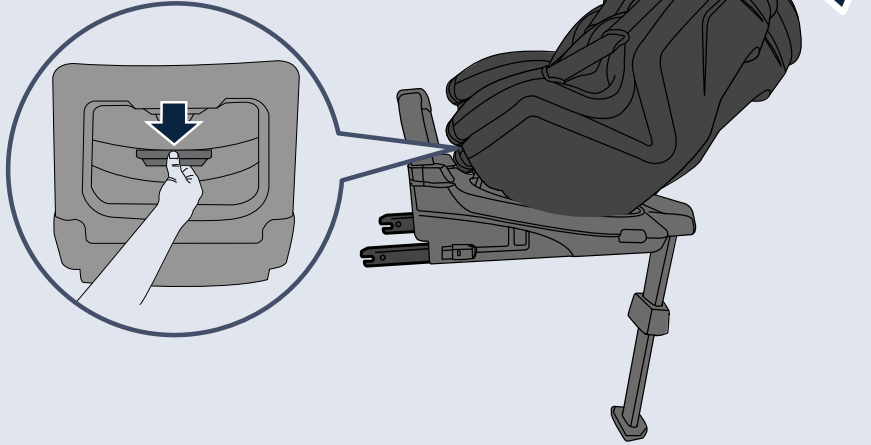


11

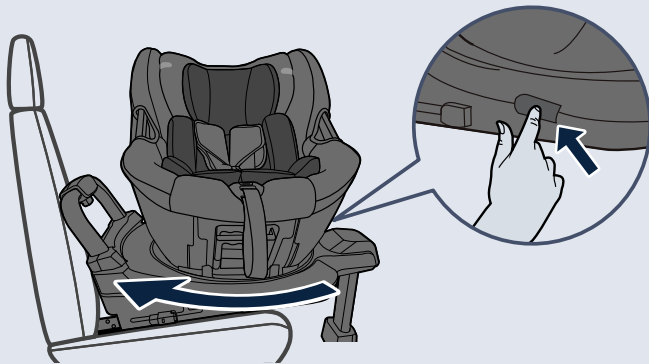




12

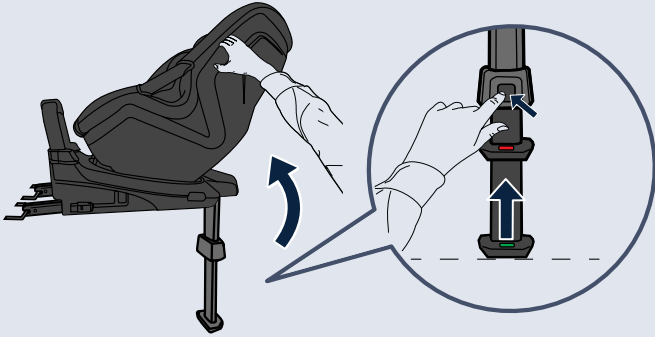


13

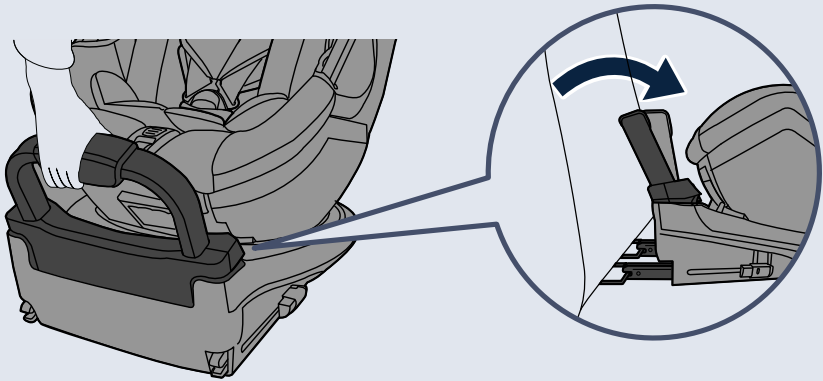




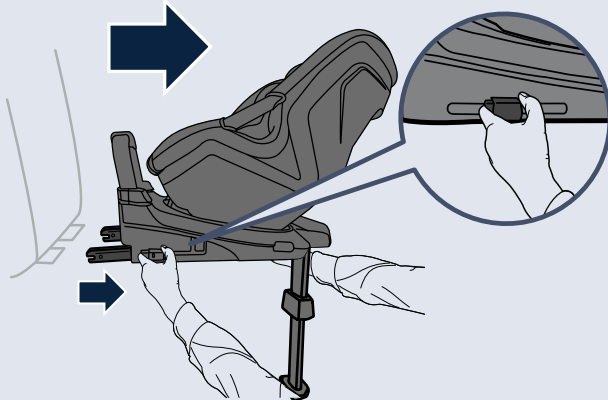
14



15



16



Sverige/Norge

Axkid AB
www.axkid.com
info@axkid.com
Tel: (+46) 511 760 620

UK/Ireland

Axkid Ltd
www.axkid.com
info@axkid.com
Tel: (+44) 0208 050 2420

France

Axkid AB
www.axkid.com
info@axkid.com
Tel (+33) 06 07 01 87 73

Deutschland

Axkid GmbH
www.axkid.com
kundenservice@axkid.com
Tel: + (49) 60-99 84 89 05

España/Portugal/Andorra

WOBABIES
www.wobabies.com
contacto@wobabies.com
Tel: (+34) 916 32 56 46

Polsce

Junior Andrzej Kwapinski
Horbaczewskiego 4-6
54-130 Wroclaw Dh Astra Sklep
Poland
Tel: + (48) 713 549 723

Suomi

Lastentarvike
www.lastentarvike.fi
info@lastentarvike.fi
Tel: (+358) 09 852 05 100

Ukraine

CF ALLIANCE UKRAINE LTD LLC
www.alliance.com.ua / www.producto.com.ua
info@alliance.com.ua
Tel: (+38) 0444660312

Croatia

BRILAD d.o.o.
www.bebastore.hr
brilad@brilad.hr
Tel: (+385) 91 400 1001

Čeština

Centrum autosedaček s.r.o.
www.centrumautosedacek.cz
info@centrumautosedacek.cz
Stavební 57, 290 01 Poděbrady, Česko
Tel: (+ 420) 770 192 112

Japan

Child Seat Research Institute LLC
www.childseat-research.com
Tel: +81(0)42-454-2990

AXKID

EN	10-19
ES	20-29
PT	30-39
DE	40-49
FR	50-59
SV	60-69
NO	70-79
FI	80-89
BG	90-99
PL	100-109
UK	110-119
HR	120-129
CS	130-139
AR	140-149
JP	150-159

Thank you for choosing Axkid SPINKID 2

Read this instruction manual before installing the child seat in your vehicle.
For more information and installation videos visit www.axkid.com.

Axkid SPINKID 2 is a rear-facing car seat approved for children with a height between 40-105 cm, ≤18 kg.

This is an i-Size Enhanced Child Restraint System. It is approved according to UN Regulation No. 129, for use in, i-Size compatible vehicle seating positions as indicated by vehicle manufacturers in the vehicle user's manual. If in doubt, consult either the Enhanced Child Restraint System manufacturer (www.axkid.com) or the retailer.

Important information

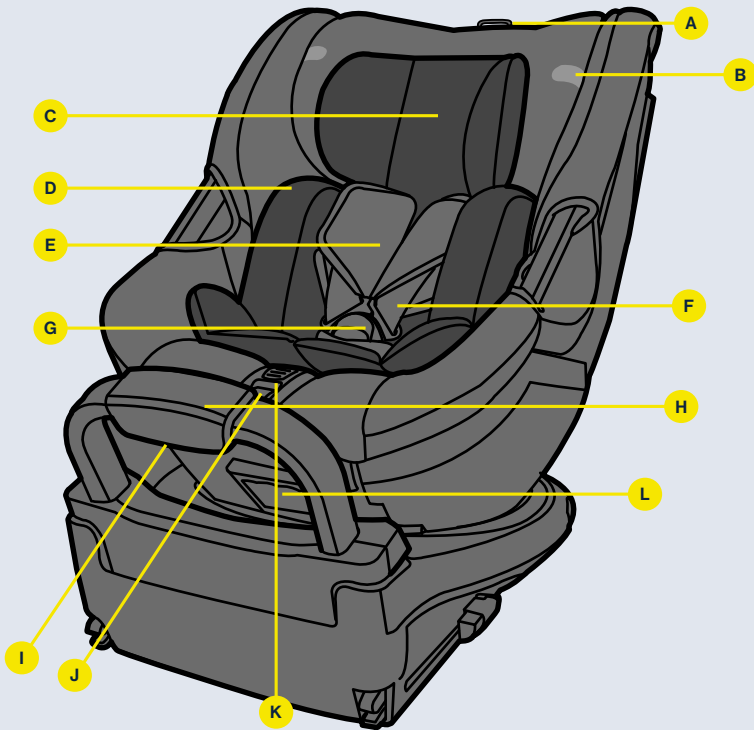
To maximize your child's safety, it is important that you keep the following in mind:

- Always follow the instructions in this manual. An incorrect installation may seriously affect the safety for your child. If in doubt, contact your retailer who can demonstrate a correct installation.
- Keep this instruction manual for future reference. If manual is lost, you can find it online at www.axkid.com
- Do not use the child seat in a seating position where an active frontal airbag is fitted. If you still wish to install the child seat in this location the airbag must be switched off according to the vehicle manufacturers instructions.
- Should you have an accident, no matter how small, your car seat should always be replaced. It may have damage that is not visible and could seriously affect the safety of your child. For this reason, Axkid does not recommend purchasing secondhand car seats.
- If the child seat has been exposed to direct sunlight, make sure the child seat is not too hot before installing your child.
- Never leave your child unattended in the vehicle.
- Ensure that any luggage or loose objects are secured in your vehicle as they may cause injuries to passengers in the event of an accident.
- Ensure that the child seat is installed in a way where no parts become trapped by movable seats, car doors, etc.
- Do not attempt to disassemble or modify any part of the child seat. The warranty and the safety performance of the Axkid car seat could be affected if doing so.
- Never use the child seat without the textile cover. The seat textile cover is a safety feature and may only be replaced with an Axkid original seat textile cover.
- Read the vehicle handbook and the vehicle list at www.axkid.com to find which seating positions are suitable for this car seat.
- Axkid recommends to always use a seat protection to protect your vehicle seat from scratches and dirt.
- If you have any doubts, contact the retailer where the car seat was purchased or contact info@axkid.com.
- The child seat may only be installed rear-facing.
- Always make sure that the harness is adjusted to correctly fit your child's body. The harness is adjusted by moving the head support.
- Make sure that the child's back is pushed against the car seat when restraining your child with the harness.
- Always make sure that the harness is firmly tightened against your child and that the buckle is completely locked, you should not be able to pinch the straps.
- Make sure there is no twist in the harness.
- Always make sure the support leg is in its correct position and that it has contact with the vehicle floor. The support leg is a very important safety feature designed to maximise your child's safety in an accident.

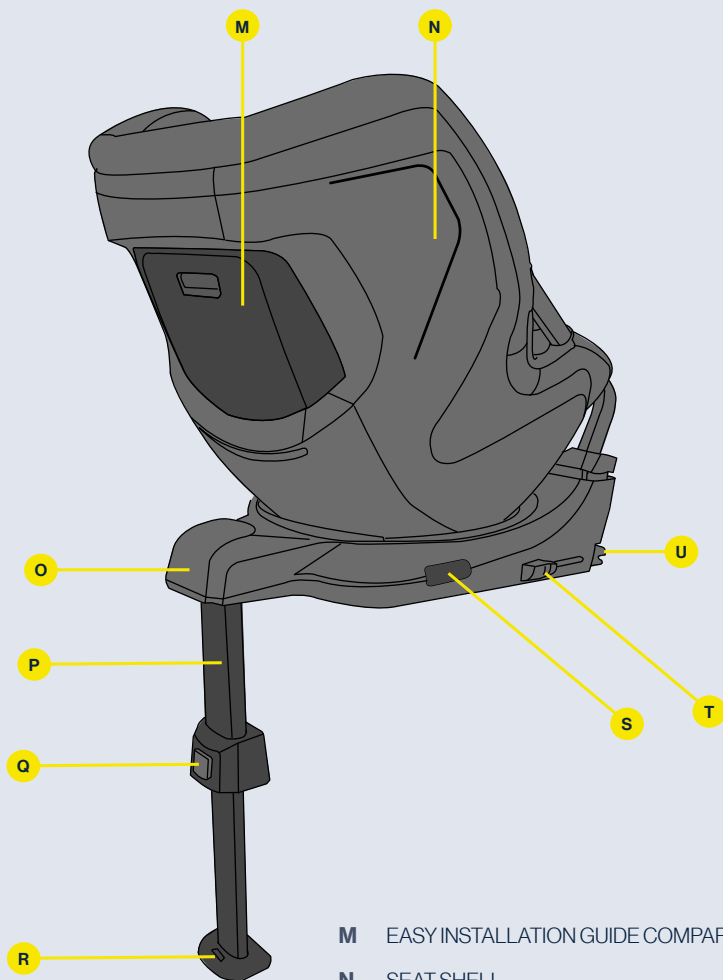
Table of content

Parts	12
Allowed and disallowed positioning of Axxkid SPINKID 2 car seat	14
Installing Axxkid SPINKID 2 car seat in the vehicle	15
Restraining your child in Axxkid SPINKID 2 car seat	16
Seat adjustments	17
Removing Axxkid SPINKID 2 car seat from the vehicle	17
Care and maintenance	18
Warranty	19

Parts



- A HEADREST ADJUSTMENT BUTTON
- B EYE LEVEL INDICATOR
- C HEADREST
- D INFANT INSERT (≤ 75 CM)
- E SHOULDER PADS
- F SHOULDER STRAPS
- G BUCKLE RELEASE BUTTON
- H FRONT BRACE
- I FRONT BRACE RELEASE BUTTON
- J HARNESS TENSION STRAP
- K HARNESS RELEASE BUTTON
- L RECLINE ADJUSTMENT LEVER



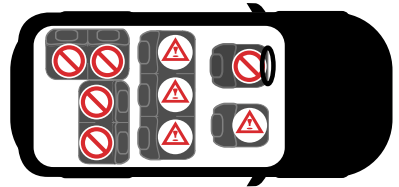
- M** EASY INSTALLATION GUIDE COMPARTMENT
- N** SEAT SHELL
- O** SEAT BASE
- P** SUPPORT LEG
- Q** SUPPORT LEG BUTTON
- R** SUPPORT LEG INDICATOR
- S** ROTATION BUTTON
- T** ISOFIX BUTTON WITH INDICATOR
- U** ISOFIX CONNECTORS



Allowed and disallowed positioning of Axkid SPINKID 2 car seat

Axkid SPINKID 2 car seat can only be installed rear-facing using ISOFIX. It is approved for use in all i-Size approved seating positions but may also fit in other non i-Size-approved ISOFIX seating positions. Check your vehicle instruction manual to find suitable seating positions and check the vehicle list on www.axkid.com

Front passenger seat with ISOFIX (no active airbag)	YES/NO*
Front passenger seat with ISOFIX (active airbag)	NO
Rear passenger seat with ISOFIX	YES
Side and rear facing seats with ISOFIX	NO
Seats without ISOFIX	NO



IMPORTANT: If you wish to install your Axkid SPINKID 2 car seat in a location where a frontal airbag is fitted, the airbag must be disconnected according to your vehicle manufacturer instruction. Note that some vehicles require an authorized service centre to disconnect the airbag.

* The General Regulation of Traffic in Spain, in its article 117, establishes the prohibition of driving with children of stature equal to or less than 135 centimetres located in the front seats of the vehicle, without exceptions.



Never install a child restraint in a passenger seat where an active airbag is fitted.





Installing Axxkid SPINKID 2 car seat in the vehicle

1

Fold down the support leg (P).

2

Release the front brace (H) with the release button (I) and fold the front brace towards the seat.

3

Push the ISOFIX buttons (T) and extend the ISOFIX connectors (U) into their outmost positions.

4

Grab the front brace (H) and the seat base (O) with the other hand and lift the Axxkid SPINKID 2 car seat into your vehicle. Push the ISOFIX connectors (U) into the ISOFIX connection points in the vehicle until you hear a click and the ISOFIX button indicators (T) turn green. Release the front brace (H) with the release button (I) and fold the front brace towards the vehicle seat. Push the car seat as far as possible towards the vehicle seat. The front brace (H) should be firmly pressed against the vehicle seat.

5

Lift the car seat upwards and push the support leg button (Q). Pull the support leg (P) downwards until it is in contact with the vehicle floor. Let go of the support leg button (Q) and further extend the support leg (R) until you hear a click. The support leg (P) should now be locked and firmly pressed against the vehicle floor.

Note: The support leg is equipped with a visual indicator (R) that will turn green when the support leg is firmly pressed against the floor, indicating a correct installation.



Restraining your child in Axxkid SPINKID 2 car seat

Before restraining your child in the Axxkid SPINKID 2 car seat, make sure you have the correct insert installed in the seat. Axxkid SPINKID 2 is designed to grow with your child and to ensure a comfortable and safe fit for the child. Axxkid recommends using the insert until it is too tight for your child, but to a minimum length according to table below (note that the age is just an indication):

Age	Height	
Infant 0-1 years	40 – 75 cm	
Toddler 1-4 years	76 – 105 cm	No insert

6

Push the rotation button (S). Rotate the child seat until it locks into its outmost position.

7

Loosen the harness by pressing the harness release button (K) and pull out both shoulder straps (F) at the same time.

Note: Avoid pulling only one strap at the time since it may cause the shoulder straps to become uneven.

8

Unlock the buckle by pressing the buckle release button (G) and attach the buckle connectors on top of the magnets located on the seat rim.

9

Pull the headrest adjustment button (A) and slide the headrest upwards or downwards until the eye level indicators (B) are in line with your child's eyes.

Note: the eye level indicators (B) shall not be used when using the infant insert. Always make sure that the headrest is in the lowest position when using SPINKID 2 for infants.

10

Place your child in the seat and place the shoulder straps (F) over your child's shoulder. Lock the harness by first positioning the parts of the buckle that is attached to the shoulder straps (F) together and then push them into the buckle until you hear a click.

11

Check that the shoulder straps (F) are going through the seat straight from your child's shoulders or maximum 1 cm above. You might need to adjust the headrest (C) again, even if it makes the eye level indicator get out of line with your child's eyes. Now pull on the shoulder straps (F) to tighten the harness over your child's hips. While keeping tension in the shoulder straps (F), pull the harness tension strap (J) until the harness is tightened enough. You should not be able to fit more than one finger between the shoulder straps (F) and your child's shoulders.



Seat adjustment

After the Axxkid SPINKID 2 car seat has been installed in your vehicle you can easily adjust the recline position for your child. This can also be done while your child is restrained in the car seat.

12

Pull the recline adjustment lever (L) to adjust the seat into one of the four fixed positions.

13

After the child is securely strapped into the seat, push the rotation button (S) and rotate the child seat until it locks in the rear-facing position.



Removing Axxkid SPINKID 2 car seat from your vehicle

14

Lift the car seat upwards and push the support leg button (Q). Collapse the support leg (P) to its shortest position.

15

Push the front brace release button (I) and fold the front brace (H) towards the seat to release the tension against the vehicle seat.

16

Disconnect the ISOFIX connectors (U) by pushing down on the ISOFIX buttons (T) and then slide them backwards, away from the vehicle seat. Grab the front brace (H) and the seat base (O) with the other hand and lift the Axxkid SPINKID 2 car seat out of your vehicle. Push the ISOFIX buttons (T) and retract the ISOFIX connectors (U) into their innermost positions.

Care and maintenance

The seat textile cover can be machine washed at 30° C on a gentle cycle. Do not put the cover in a dryer as this can damage the cover and the padding may separate from the fabric. Visit www.axkid.com to find videos explaining how to remove and attach the cover.

Remove the textile cover:

- Loosen the harness by pressing the harness release button (K) and pull out both shoulder straps (F) at the same time.
- Carefully pull the cover off from the headrest (C).
- Lower the headrest (C) to the lowest position.
- Unlock the harness buckle by pressing the buckle release button (G) and remove the buckle cover.
- Undo the four buttons at the backrest on the inside of the car seat and gently remove the textile cover from the car seat. Be careful around plastic covers not to damage the textile. Don't pull too hard.
- Open the shoulder pads (E) and gently remove them from the Velcro.

Install the textile cover

- Reverse the steps from the instruction above to install the textile cover on the car seat again.
- Note that the shoulder pads can be installed at different positions. Install them in a position suitable for your child, the shoulder pads should be positioned on top of the shoulder and on the chest of your child. Also make sure that the rubber side of the shoulder pad is facing your child's chest.

If the textile seat cover needs replacing, ensure only original products from Axkid are used. If other products are used, the Axkid car seat's safety system may be compromised and could lead to severe injury in case of an accident.

Any plastic parts of the Axkid car seat can be cleaned with mild detergent and water. Do not use aggressive chemicals containing solvents or similar, as this can cause damage to the plastic and compromise the safety of the car seat.

Recycling your car seat



Axkid strongly recommends recycling of old car seats. Before leaving the seat at your local recycling station cut off the harness straps from the seat, remove the textile cover, remove as many Styrofoam parts as possible, separate metal and plastic parts if possible. The main part of the seat should be marked unsafe or expired (use a marker) to deter anyone from using it again. Please check your local municipal guidelines for recycling instructions for the different materials.



Warranty

The Axkid car seat is covered by a 24-month warranty from date of purchase. Ensure you save your receipt and bring it to your place of purchase if you have any warranty issues the warranty does not cover.

- Normal wear and tear.
- Damage due to incorrect use, neglect, or accident.
- If repairs have been carried out by a third party.
- All materials used have a very high UV-resistance rating. However, UV-light is very aggressive and will ultimately lead to fading of the seat cover. This is not covered by our warranty as it is considered normal wear and tear.
- Handle the seat with care. Never carry the seat by holding in the headrest.

Gracias por elegir Axxid SPINKID 2

Lea este manual de instrucciones antes de instalar la silla de auto en su vehículo.
Para obtener más información y videos sobre la instalación, visite www.axkid.com.

La **Axxid SPINKID 2** es una silla de coche orientada hacia atrás homologada para niños con una estatura comprendida entre 40 y 105 cm, ≤18 kg.

Esta silla es un sistema de retención infantil mejorado con homologación i-Size. Está certificada según la norma UN n.º 129 de sistemas de retención infantil, para su instalación en asientos de vehículos compatibles con la norma i-Size según indique el manual del fabricante del vehículo. Si tiene cualquier duda, consulte con el fabricante (www.axkid.com) o con su tienda.

Información importante

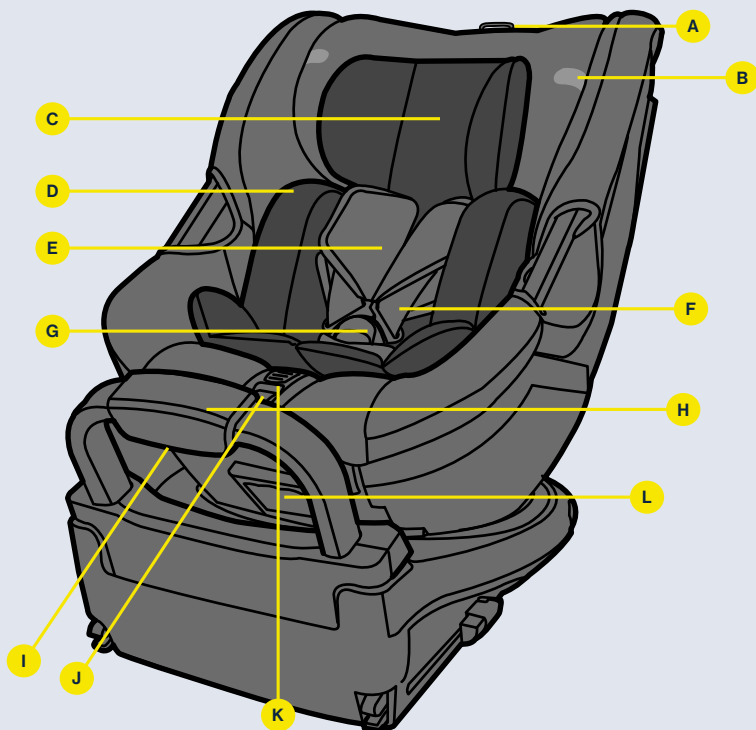
Para maximizar la seguridad del niño, es importante que recuerde lo siguiente:

- Siga siempre las instrucciones de este manual. Una instalación incorrecta puede poner en peligro la seguridad del niño. Si tiene cualquier duda, contacte con su tienda, donde le asesorarán para una correcta instalación.
- Conserve este manual de instrucciones para futuras consultas. Si pierde el manual, puede descargarlo online en www.axkid.com
- No instale nunca la silla de auto en el asiento de un vehículo que tenga instalado un airbag frontal. Si todavía desea instalar la silla Axxid SPINKID 2 en ese sitio, se debe desactivar el airbag de acuerdo con las instrucciones del fabricante del vehículo. El Reglamento General de Circulación en España, en su artículo 117, establece la prohibición de circular con menores de estatura igual o inferior a 135 centímetros situados en los asientos delanteros del vehículo, salvo excepciones.
- En caso de accidente de tráfico, por leve que sea, se debe sustituir obligatoriamente la silla de auto por una nueva. La silla podría tener algún daño invisible que no se detecte a simple vista y poner seriamente en peligro la seguridad del niño. Por esta razón, Axxid no recomienda adquirir sillas para coche de segunda mano.
- Si la silla de auto ha estado expuesta a la luz directa del sol, asegúrese de que no esté demasiado caliente al sentar al niño.
- No deje nunca al niño solo desatendido en el vehículo.
- Asegúrese de que cualquier equipaje o carga que lleve en el vehículo estén firmemente sujetos. Así evitará lesiones a los pasajeros en caso de accidente.
- Asegúrese de que la silla Axxid SPINKID 2 esté instalada de manera que ninguna pieza quede atrapada por asientos móviles, puertas del coche, etc.
- No intente desmontar ni modificar ninguna pieza de la silla Axxid SPINKID 2. En caso de hacerlo, la garantía y las prestaciones de seguridad de la silla de auto Axxid podrían verse afectadas.
- No utilice nunca una silla de auto sin la funda. La funda de la silla es un componente del sistema de seguridad y solo se puede sustituir por otra funda Axxid original.
- Lea el manual del vehículo y la lista de vehículos disponible en www.axkid.com para comprobar cuáles son los asientos del vehículo en los que se puede instalar la silla.
- Axxid recomienda usar siempre un protector de asiento para proteger el asiento del vehículo de rasguños y suciedad.
- Si tiene cualquier duda, contacte con la tienda donde compró la silla o contacte con nosotros en el email info@axkid.com.
- Esta silla de auto solo se puede instalar orientada hacia atrás.
- Asegúrese siempre de que el arnés se ajuste correctamente al cuerpo del niño. El arnés se ajusta moviendo el reposacabezas.
- Compruebe que la espalda del niño esté totalmente apoyada en la silla al colocar el arnés.
- Asegúrese siempre de que el arnés esté firmemente tenso y ajustado al niño y de que el broche del arnés esté correctamente abrochado, de forma que no quede flojo ningún tramo del cinturón del arnés.
- Asegúrese de que el arnés no esté torcido en ningún punto.
- Compruebe siempre que la pata de apoyo está en la posición correcta y en contacto con el suelo del vehículo. La pata de apoyo es un elemento de seguridad muy importante diseñado para maximizar la seguridad del niño en caso de accidente.

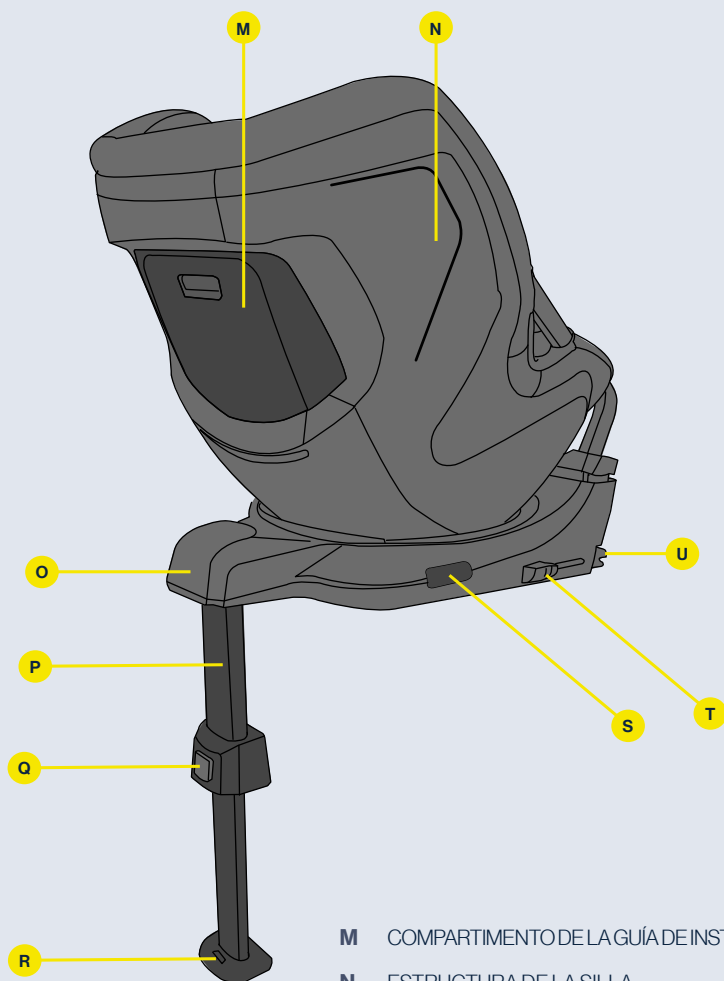
Índice

Piezas	22
Colocación permitida y no permitida de la silla de auto Axxkid SPINKID 2	24
Instalación de la silla de auto Axxkid SPINKID 2 en el vehículo	25
Sujeción del niño en la silla de auto Axxkid SPINKID 2	26
Ajustes de la silla	27
Desinstalación de la silla de auto Axxkid SPINKID 2 del vehículo	27
Cuidado y mantenimiento	28
Garantía	29

Piezas



- A BOTÓN DE AJUSTE DEL REPOSACABEZAS
- B INDICADOR DEL NIVEL DE LOS OJOS
- C REPOSACABEZAS
- D COJÍN REDUCTOR (≤ 75 CM)
- E ALMOHADILLAS DE CORREAS
- F CORREAS
- G BOTÓN DE APERTURA
- H ARCO ANTIVUELCO
- I AJUSTE DEL ARCO ANTIVUELCO
- J CORREA PARA TENSAR EL ARNÉS
- K BOTÓN PARA DESABROCHAR EL ARNÉS
- L AJUSTE DE RECLINACIÓN



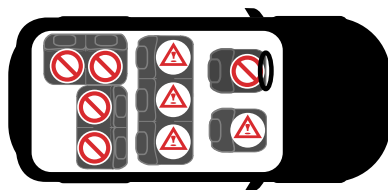
- M** COMPARTIMENTO DE LA GUÍA DE INSTALACIÓN
- N** ESTRUCTURA DE LA SILLA
- O** BASE DE LA SILLA
- P** PATA DE APOYO
- Q** BOTÓN DE LA PATA DE APOYO
- R** INDICADOR DE LA PATA DE APOYO
- S** BOTÓN DE ROTACIÓN
- T** BOTÓN ISOFIX CON INDICADOR
- U** CONECTORES ISOFIX



Colocación permitida y no permitida de la silla de auto Axkid SPINKID 2

La silla Axkid SPINKID 2 solo se puede instalar orientada hacia atrás. Está homologada para su instalación en cualquier asiento de vehículo adaptado a la norma i-Size, aunque también podría instalarse en otros asientos ISOFIX no aptos según i-Size. Consulte el manual de instrucciones del vehículo para ver en qué asientos puede instalar la silla y la lista de vehículos en www.axkid.com

Asiento delantero del acompañante con ISOFIX (sin airbag activo)	SÍ/NO*
Asiento delantero del acompañante con ISOFIX (con airbag activo)	NO
Asiento de pasajero trasero con ISOFIX	SÍ
Asientos laterales u orientados hacia atrás con ISOFIX	NO
Asientos sin sistema ISOFIX	NO



IMPORTANTE: Si desea instalar su silla de auto Axkid SPINKID 2 en un lugar donde haya instalado un airbag frontal, el airbag se debe desconectar según las instrucciones del fabricante de su vehículo. Tenga en cuenta que algunos vehículos requieren de un servicio técnico autorizado para desconectar el airbag.

* El Reglamento General de Circulación en España, en su artículo 117, establece la prohibición de circular con menores de estatura igual o inferior a 135 centímetros situados en los asientos delanteros del vehículo, salvo excepciones.



No instale nunca un sistema de retención infantil en un asiento de pasajero en el que haya instalado un airbag activo.





Instalación de la silla de auto Axxkid SPINKID 2 en el vehículo

1

Despliegue la pata de apoyo (P).

2

Suelte la sujeción delantera (H) con el botón de apertura (I) e incline al arco antivuelco hacia la silla.

3

Pulse los botones ISOFIX (T) y extienda los conectores ISOFIX (U) hasta sus posiciones más externas.

4

Coja el arco antivuelco (H) con una mano y la base de la silla (O) con la otra y levante la silla de auto Axxkid SPINKID 2 para introducirla en el vehículo. Introduzca los conectores ISOFIX (U) en los puntos de conexión ISOFIX del vehículo hasta que oiga un clic y los indicadores del botón ISOFIX (T) se pongan de color verde. Apriete el ajuste del arco antivuelco (I) (H) y ajuste el arco hacia el asiento del vehículo. Empuje la silla de auto todo lo posible hacia el asiento del vehículo. El arco antivuelco (H) debe presionarse firmemente contra el asiento del vehículo.

5

Levante la silla de auto y pulse el botón de la pata de apoyo (Q). Tire de la pata de apoyo (P) hacia abajo hasta que esté en contacto con el suelo del vehículo. Suelte el botón de la pata de apoyo (Q) y siga extendiendo la pata de apoyo (R) hasta que oiga un clic. La pata de apoyo (P) estará ahora fijada y presionando firmemente contra el suelo.

Nota: La pata de apoyo está equipada con un indicador visual (R) que se pondrá verde cuando esté firmemente presionada contra el suelo, lo que indica que la instalación es correcta.



Sujeción del niño en la silla de auto

Axkid SPINKID 2

Antes de sujetar al niño en la silla de auto Axkid SPINKID 2, asegúrese de que tiene el cojín apropiado instalado en la silla. La Axkid SPINKID 2 está diseñada para crecer con el niño y garantizar un ajuste cómodo y seguro para él. Axkid recomienda usar los cojines correspondientes en cada momento hasta que el espacio sea demasiado estrecho para el niño, siempre teniendo en cuenta la altura mínima según la siguiente tabla (tener en cuenta que la edad es solo indicativa):

Edad	Altura	
Bebé 0-1 años	40 – 75 cm	
Niño pequeño 1-4 años	76 – 105 cm	Sin cojín

6

Pulse el botón de rotación (S). Gire el asiento infantil hasta que quede bloqueado en su posición más exterior.

7

Aloje el arnés pulsando el botón para desabrochar el arnés (K) y tire de las dos correas del arnés (F) a la vez.

8

Desbloquee la hebilla pulsando el botón de apertura (G) y conecte las piezas de la hebilla en la parte superior de los imanes que se encuentran en el borde del asiento.

9

Tire del botón de ajuste del reposacabezas (A) y deslice el reposacabezas hacia arriba o hacia abajo hasta que los indicadores del nivel de los ojos (B) estén alineados con los ojos del niño.

10

Siente al niño en la silla y coloque las correas del arnés (F) por encima de sus hombros. Para abrochar el arnés, primero junte las piezas de la hebilla que está unida a los tirantes del arnés (F) y, a continuación, empújelas dentro de la hebilla hasta que oiga un clic.

11

Compruebe que las correas del arnés (F) salen de la silla hacia delante desde los hombros del niño o como máximo 1 cm por encima. Es posible que tenga que volver a ajustar el reposacabezas (C), aunque esto haga que el indicador del nivel de los ojos se desalinee con los ojos del niño. A continuación, tire de las correas del arnés (F) para tensar el arnés sobre las caderas del niño. Mientras mantiene la tensión en las correas del arnés (F), tire de la correa de tensión del arnés (J) hasta que el arnés esté lo suficientemente apretado. No debe haber más de un dedo entre los tirantes del arnés (F) y los hombros del niño.



Ajuste de la silla

Una vez instalada la silla de auto Axkid SPINKID 2 en el vehículo, puede ajustar fácilmente la posición de inclinación para el niño. Esto también se puede hacer mientras el niño está sujeto en la silla de auto.

12

Tire de la palanca de ajuste de la inclinación (L) para ajustar el asiento en una de las cuatro posiciones fijas.

13

Una vez que el niño esté bien sujeto al asiento, presione el botón de rotación (S) y gire el asiento infantil hasta que quede bloqueado en la posición orientada hacia atrás.



Desinstalación de la silla de auto Axkid SPINKID 2 de su vehículo

14

Levante la silla de auto y pulse el botón de la pata de apoyo (Q). Pliegue la pata de apoyo (P) hasta su posición más corta.

15

Pulse el ajuste del arco antivuelco (I) y pliegue el arco (H) hacia la silla para liberar la tensión contra el asiento del vehículo.

16

Desconecte los conectores ISOFIX (U) presionando los botones ISOFIX (T) y, a continuación, deslícelos hacia atrás, alejándolos del asiento del vehículo. Coja el arco antivuelco (H) con una mano y la base de la silla (O) con la otra y levante la silla de auto Axkid SPINKID 2 para sacarla del vehículo. Pulse los botones ISOFIX (T) y retraiga los conectores ISOFIX (U) hasta sus posiciones más internas.

Cuidado y mantenimiento

La funda de la silla puede lavarse a máquina a 30 °C usando el programa de lavado para prendas delicadas. No use secadora, ya que esto puede dañar el tejido y hacer que el relleno se separe de la tela. En nuestra web www.axkid.com puede ver videos explicando cómo quitar y poner la funda.

Quitar la funda:

- Afloje el arnés pulsando el botón para desabrochar el arnés (K) y tire de las dos correas del arnés (F) a la vez.
- Tire con cuidado de la funda para sacarla del reposacabezas (C).
- Baje el reposacabezas (C) a la posición más baja.
- Abra el broche presionando el botón para desabrochar el arnés (G) y quite la funda del broche.
- Desabroche los cuatro botones situados en el respaldo, en la parte interior de la silla de auto, y retire con cuidado la funda de la silla. Tenga cuidado con las cubiertas de plástico para no dañar el tejido. No tire con fuerza.
- Abra las almohadillas para hombros (E) y suéltelas con cuidado del Velcro.

Poner la funda

- Para volver a poner la funda en la silla de auto, realice los pasos anteriores en orden inverso.
- Tenga en cuenta que las almohadillas para hombros se pueden colocar de varias formas diferentes. Colóquelas en una posición adecuada para el niño; las almohadillas deben quedar sobre los hombros del niño, no sobre su pecho. Asegúrese de que la cara de goma de la almohadilla de hombro quede mirando hacia el pecho del niño.

Si tiene que sustituir la funda de la silla, asegúrese de utilizar solo productos originales de Axkid. Si se utilizan otros productos, el sistema de seguridad de la silla de auto Axkid puede verse en peligro y podrían producirse lesiones graves en caso de accidente.

Todas las piezas de plástico de la silla de auto Axkid se pueden limpiar con detergente suave y agua. No utilice productos químicos agresivos que contengan disolventes, etc., ya que esto puede provocar daños en el plástico y poner en peligro la seguridad de la silla.

Reciclaje de la silla de auto



Axkid recomienda encarecidamente el reciclaje de las sillas para coche usadas. Antes de dejar la silla en su punto de reciclaje local, corte los tirantes del arnés de la silla, retire la funda, retire todas las piezas de poliestireno expandido que sea posible y separe las piezas de metal y de plástico si es posible. Se debe marcar la parte principal de la silla indicando que no es segura o que está caducada (con un marcador) para disuadir a cualquiera de volver a utilizarla. Consulte las directrices municipales locales para conocer las instrucciones de reciclaje de los distintos materiales.

Garantía

La silla de auto Axkid está cubierta por una garantía de 24 meses a partir de la fecha de compra. Guarde el ticket de compra y lleve la silla a la tienda donde la adquirió en caso de reclamación de la garantía. La garantía no cubre:

- El desgaste normal del producto.
- Los daños causados por un uso incorrecto, negligencia o accidente.
- Si las reparaciones las ha realizado un tercero.
- Todos los materiales usados tienen una clasificación muy alta de resistencia a los rayos ultravioleta. Sin embargo, la luz UV es muy agresiva y, en última instancia, hará que la cubierta de la silla se decolore. Esto no está cubierto por nuestra garantía, ya que se considera un desgaste normal.
- Mantenga la silla con cuidado. No transporte nunca la silla sujetándola por el reposacabezas.

Obrigado por escolher a cadeira auto Axkid SPINKID 2

Leia este manual de instruções antes de instalar a cadeira auto no seu veículo.

Para mais informações e vídeos de instalação, visite www.axkid.com.

Axkid SPINKID 2 é uma cadeira auto virada para trás aprovada para crianças com uma altura entre 40-105 cm, ≤18 kg.

Este é um sistema de retenção infantil melhorado i-Size. É homologada de acordo com o Regulamento n.º 129 da ONU, para utilização em assentos de veículos compatíveis com i-Size, conforme indicado pelos fabricantes de veículos no manual do utilizador do veículo. Em caso de dúvida, consulte o fabricante do sistema de retenção infantil melhorado (www.axkid.com) ou o revendedor.

Informação importante

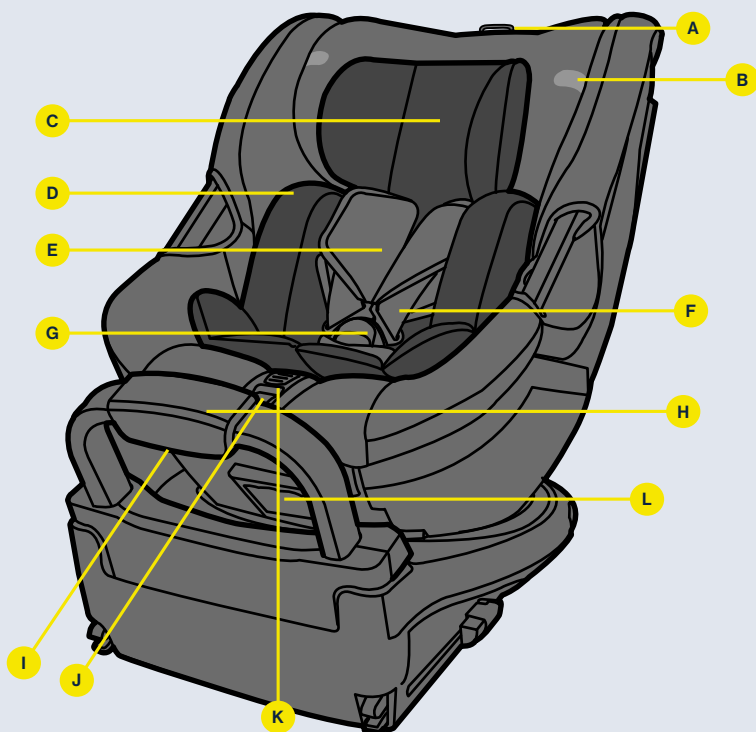
Para maximizar a segurança do seu filho, é importante ter em consideração o seguinte:

- Siga sempre as instruções deste manual. Uma instalação incorreta pode afetar seriamente a segurança do seu filho. Em caso de dúvida, contacte o revendedor que pode demonstrar uma instalação correta.
- Guarde este manual de instruções para consultas futuras. Se o manual for extraviado, pode encontrá-lo online em www.axkid.com
- Não utilize a cadeira de criança numa posição sentada em que esteja instalado um airbag frontal ativo. Se, mesmo assim, pretender instalar a cadeira de criança neste local, o airbag deve ser desligado de acordo com as instruções do fabricante do veículo.
- Se tiver um acidente, mesmo que pequeno, a sua cadeira auto deve sempre ser substituída. Pode ter danos não visíveis e afetar seriamente a segurança do seu filho. Por este motivo, a Axkid não recomenda a compra de cadeiras auto em segunda mão.
- Se a cadeira de criança tiver sido exposta à luz solar direta, certifique-se de que a cadeira de criança não está demasiado quente antes de a instalar.
- Nunca deixe o seu filho sozinho no carro.
- Certifique-se de que qualquer bagagem ou objetos soltos estão presos no veículo, pois podem provocar ferimentos nos passageiros em caso de colisão.
- Certifique-se de que a cadeira de criança é instalada de forma a que nenhuma peça fique presa em bancos móveis, portas de automóveis, etc.
- Não tente desmontar ou modificar qualquer parte da cadeira de criança. A garantia e o desempenho de segurança da cadeira auto Axkid podem ser afetados se o fizer.
- Nunca utilize o assento infantil sem a capa de tecido. A capa de tecido da cadeira é um recurso de segurança e só pode ser substituída por uma capa de tecido original da cadeira Axkid.
- Leia o manual do veículo e a lista de veículos em www.axkid.com para saber que posições de assento são adequadas para esta cadeira auto.
- A Axkid recomenda sempre a utilização de uma proteção da cadeira para proteger a cadeira auto contra riscos e sujidade.
- Em caso de dúvida, entre em contacto com o revendedor onde a cadeira auto foi adquirida ou entre em contacto com info@axkid.com.
- A cadeira de criança só pode ser instalada virada para trás.
- Certifique-se sempre de que o arnês está ajustado para se ajustar corretamente ao corpo do seu filho. O arnês é ajustado movendo o suporte da cabeça.
- Certifique-se de que as costas da criança estão encostadas à cadeira auto ao prender o seu filho com o arnês.
- Certifique-se sempre de que o arnês está firmemente apertado contra o seu filho e que a fivela está completamente travada, não deve conseguir apertar as correias.
- Certifique-se de que não há torção no arnês.
- Certifique-se sempre de que a perna de apoio está na posição correta e tem contacto com o chão do veículo. A perna de fixação é um recurso de segurança muito importante desenhado para maximizar a segurança do seu filho num acidente.

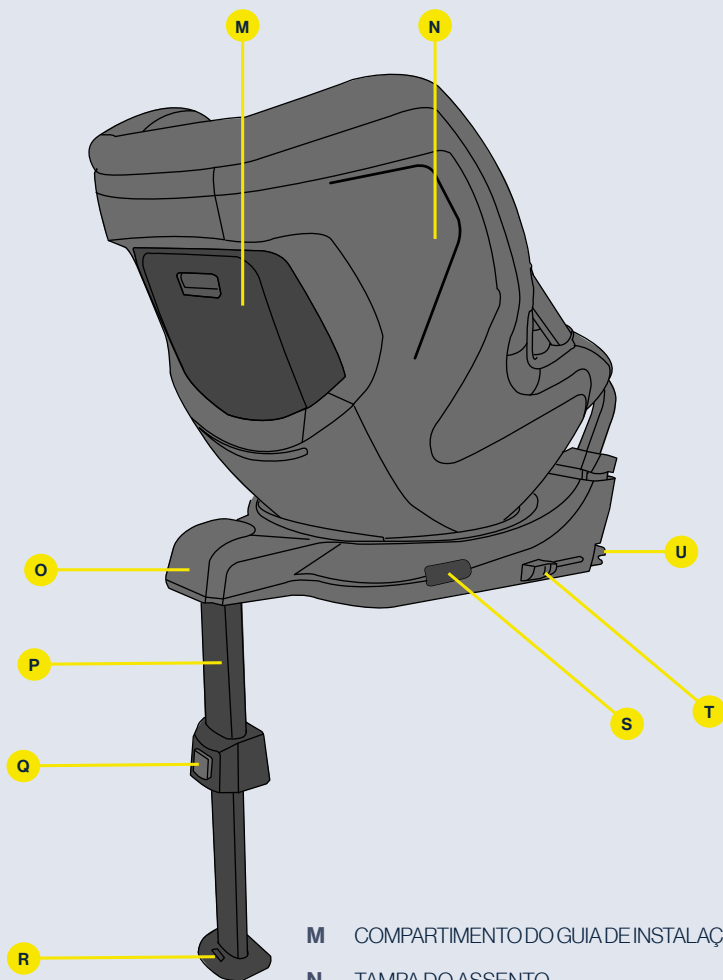
Índice

Peças	32
Posicionamentos permitidos e não permitidos da cadeira auto Axxid SPINKID 2	34
Instalar a cadeira auto Axxid SPINKID 2 no veículo	35
Colocar a criança na cadeira auto Axxid SPINKID 2	36
Ajustes da cadeira auto	37
Remover a cadeira auto Axxid SPINKID 2 do veículo	37
Cuidado e manutenção	38
Garantia	39

Peças



- A BOTÃO DE REGULAÇÃO DO APOIO DE CABEÇA
- B INDICADOR DO NÍVEL DOS OLHOS
- C ENCOSTO DE CABEÇA
- D INSERÇÃO INFANTIL (≤ 75 CM)
- E ALMOFADAS PARA OMBROS
- F CORREIAS DE OMBRO
- G BOTÃO DE LIBERTAÇÃO DA FIVELA
- H ARCO ANTIELEVAÇÃO
- I BOTÃO DE LIBERAÇÃO DA CINTA FRONTAL
- J CORREIA DE TENSÃO DO ARNÊS
- K BOTÃO DE LIBERTAÇÃO DO ARNÊS
- L ALAVANCA DE AJUSTE RECLINÁVEL



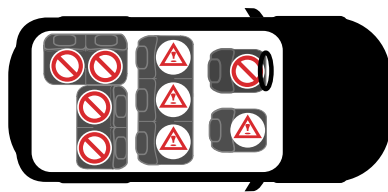
- M** COMPARTIMENTO DO GUIA DE INSTALAÇÃO FÁCIL
- N** TAMPADO DO ASSENTO
- O** ASSENTO BASE
- P** PERNA DE APOIO
- Q** BOTÃO DA PERNA DE APOIO
- R** INDICADOR DE PERNA DE APOIO
- S** BOTÃO DE ROTAÇÃO
- T** BOTÃO ISOFIX COM INDICADOR
- U** CONECTORES ISOFIX



Posicionamentos permitidos e não permitidos da cadeira auto Axkid SPINKID 2

A cadeira auto Axkid SPINKID 2 só pode ser instalada virada para trás utilizando o ISOFIX. Está homologada para ser utilizada em todas as posições de assento aprovadas pelo i-Size, mas também pode ser instalada noutras posições de assento ISOFIX não aprovadas pelo i-Size. Verifique o manual de instruções do veículo para encontrar posições sentadas apropriadas e verifique a lista de veículos em www.axkid.com

Banco do passageiro dianteiro com ISOFIX (sem airbag ativo)	SIM/NÃO*
Banco do passageiro dianteiro com ISOFIX (airbag ativo)	NÃO
Banco do passageiro traseiro com ISOFIX	SIM
Cadeiras viradas para os lados e para trás com ISOFIX	NÃO
Cadeiras sem ISOFIX	NÃO



IMPORTANTE: Se pretender instalar a sua cadeira auto Axkid SPINKID 2 num local onde exista um airbag frontal, este deve ser desligado de acordo com as instruções do fabricante do veículo. Observe que alguns veículos exigem que o airbag seja desligado por um centro de serviço autorizado.

O Artigo 55.o do DL n.o 114/94, de 03 de Maio, "CÓDIGO DA ESTRADA": afirma que as crianças com menos de 12 anos de idade transportadas em automóveis equipados com cintos de segurança, desde que tenham altura inferior a 135 cm, devem ser seguras por sistema de retenção homologado e adaptado ao seu tamanho e peso. O transporte das crianças referidas no número anterior deve ser efetuado no banco da retaguarda, com algumas exceções.



Nunca instale um sistema de retenção para crianças no banco do passageiro onde esteja instalado um airbag ativo.





Instalar a cadeira auto Axkid SPINKID 2 no veículo

1

DESDOBRAR A PERNA DE APOIO (P) PARA BAIXO.

2

Solte a cinta dianteira (H) com o botão de libertação (I) e dobre a cinta dianteira em direção ao banco.

3

Pressione os botões ISOFIX (T) e estenda os conectores ISOFIX (U) para as suas posições mais externas.

4

Pegue o arco antielevação (H) e na base do banco (O) com a outra mão e levante a cadeira auto Axkid SPINKID 2 para o seu veículo. Empurre os conectores ISOFIX (U) para os pontos de ligação ISOFIX no veículo até ouvir um clique e os indicadores do botão ISOFIX (T) ficam verdes. Aperte do ajuste do arco antielevação (H) com o botão de desbloqueio (I) e dobre a travessa dianteira na direção do banco do veículo. Empurre a cadeira auto o mais longe possível em direção ao banco do veículo. O arco antielevação (H) deve ser firmemente pressionado contra o banco do veículo.

5

Levante a cadeira auto para cima e pressione o botão da perna de apoio (Q). Puxar a perna de apoio (P) para baixo até ficar em contacto com o chão do veículo. Solte o botão da perna de apoio (Q) e estique mais a perna de apoio (R) até ouvir um clique. A perna de apoio (P) deve agora ser travada e firmemente pressionada contra o chão do veículo.

Nota: A perna de apoio está equipada com um indicador visual (R) que ficará verde quando a perna de apoio estiver firmemente pressionada contra o chão, indicando uma instalação correta.



Colocar a criança na cadeira auto

Axkid SPINKID 2

Antes de prender o seu filho na cadeira auto Axkid SPINKID 2, certifique-se de que tem a inserção correta instalada na cadeira. A cadeira auto Axkid SPINKID 2 foi concebida para crescer com o seu filho e garantir um ajuste confortável e seguro para a criança. A Axkid recomenda utilizar sempre as almofadas correspondentes até que esteja demasiado apertada para o seu filho, mas com um comprimento mínimo de acordo com a tabela abaixo (observe que a idade é apenas uma indicação):

Idade	Altura	
Bebé 0-1 anos	40–75 cm	
Criança 1-4 anos	76–105 cm	Sem almofada

6

Pressione o botão de rotação (S). Vire a cadeira de criança até que esta se fixe na sua posição mais externa.

7

Solte o arnês pressionando o botão de libertação do arnês (K) e retire as duas correias de ombro (F) ao mesmo tempo. *Nota: Evite puxar apenas uma correia à vez, pois isso pode fazer com que as correias de ombro fiquem irregulares.*

8

Desbloqueie a fivela pressionando o botão de libertação da fivela (G) e conecte os conectores da fivela na parte superior dos ímãs localizados no aro do banco.

9

Puxe o botão de ajuste do apoio de cabeça (A) e deslize o apoio de cabeça para cima ou para baixo até que os indicadores do nível dos olhos (B) estejam alinhados com os olhos do seu filho.

Nota: os indicadores do nível dos olhos (B) não devem ser utilizados quando se utiliza a inserção para lactentes. Certifique-se sempre de que o apoio de cabeça está na posição mais baixa quando utilizar SPINKID 2 para bebês.

10

Coloque o seu filho na cadeira e coloque as correias (F) por cima dos ombros do seu filho. Trave o arnês posicionando primeiro as partes da fivela que estão presas às correias de ombro (F) juntas e, em seguida, empurre-as para dentro da fivela até ouvir um clique.

11

Verifique se as correias de ombro (F) passam pelo assento diretamente dos ombros do seu filho ou no máximo 1 cm acima. Poderá ter de ajustar novamente o apoio de cabeça (C), mesmo que isso faça com que o indicador do nível dos olhos fique fora de linha com os olhos do seu filho. Puxe as correias de ombro (F) para apertar o arnês sobre as ancas do seu filho. Enquanto mantém a tensão nas alças dos ombros (F), puxe a correia de tensão do arnês (J) até que o arnês esteja suficientemente apertado. Não deve conseguir encaixar mais do que um dedo entre as alças dos ombros (F) e os ombros do seu filho.



Ajustes da cadeira

Após a cadeira auto Axkid SPINKID 2 ter sido instalada no seu veículo, pode facilmente ajustar a posição reclinável para o seu filho. Isto também pode ser feito enquanto o seu filho está imobilizado na cadeira auto.

12

Puxe a alavanca de ajuste de reclinção (L) para ajustar o assento em uma das quatro posições fixas.

13

Após a criança estar bem presa na cadeira, pressione o botão de rotação (S) e vire a cadeira até que trave na posição virada para trás.



Desinstalar a cadeira auto Axkid SPINKID 2 do veículo

14

Levante a cadeira para cima e pressione o botão da perna de apoio (Q). Recolha a perna de apoio (P) para sua posição mais curta.

15

Prima o botão do arco antielevação (I) e dobre o braço frontal (H) na direção do banco para libertar a tensão contra o banco do veículo.

16

Desligue os conectores ISOFIX (U) premindo os botões ISOFIX (T) e, em seguida, deslize-os para trás, afastando-os do banco do veículo. Com a outra mão, agarre do arco antielevação (H) e na base do assento (O) e levante a cadeira auto Axkid SPINKID 2 para fora do veículo. Prima os botões ISOFIX (T) e recolha os conectores ISOFIX (U) para as suas posições mais interiores.

Cuidado e manutenção

A capa têxtil da cadeira auto pode ser lavada na máquina a 30° C num ciclo de lavagem suave. Não coloque a capa numa máquina de secar, uma vez que isto pode danificar a capa e o enchimento pode ficar separado do tecido. Visite www.axkid.com para aceder a vídeos que explicam como remover e colocar a capa.

Remova a capa de tecido:

- Solte o arnês pressionando o botão de libertação do arnês (K) e retire as duas correias de ombro (F) ao mesmo tempo.
- Puxe cuidadosamente a capa do encosto de cabeça (C).
- Baixe o encosto de cabeça (C) para a posição mais baixa.
- Desbloqueie a fivela do arnês pressionando o botão de libertação da fivela (G) e remova a tampa da fivela.
- Desaperte os quatro botões do encosto no interior do banco do automóvel e retire cuidadosamente o revestimento têxtil do banco do automóvel. Tenha cuidado ao redor de tampas plásticas para não danificar o tecido. Não puxe com força.
- Abra as ombreiras (E) e retire-as com cuidado do velcro.

Instalar a capa têxtil

- Inverta os passos da instrução acima para instalar a capa têxtil no cadeira auto novamente.
- Observe que as ombreiras podem ser instaladas em diferentes posições. Instale-as numa posição adequada para o seu filho; as ombreiras devem ser posicionadas em cima do ombro e no peito do seu filho. Certifique-se também de que o lado de borracha da ombreira está voltado para o peito do seu filho.

Se for necessário substituir a capa têxtil da cadeira, auto certifique-se de que são apenas utilizados produtos originais da Axkid. Se forem utilizados outros produtos, o sistema de segurança da cadeira auto Axkid pode ficar comprometido e provocar ferimentos graves em caso de acidente.

As peças de plástico da cadeira auto Axkid podem ser limpas com um detergente suave e água. Não utilizar produtos químicos agressivos que contenham solventes ou similares, pois podem danificar o plástico e comprometer a segurança da cadeira auto.

Reciclar a cadeira auto



A Axkid recomenda vivamente a reciclagem de cadeiras auto antigas. Antes de entregar o assento na estação de reciclagem local, corte as correias do arnês do assento, retire a cobertura têxtil, retire o maior número possível de peças de esferovite e, se possível, separe as peças de metal e de plástico. A parte principal da base deve ser marcada como não segura ou expirada (use um marcador) para dissuadir qualquer pessoa de usá-la novamente. Por favor, verifique as diretrizes municipais locais para instruções de reciclagem para os diferentes materiais.

Garantia

A cadeira auto Axkid está coberta por uma garantia de 24 meses a partir da data de compra. Certifique-se de que guarda o recibo e o leva ao local de compra se tiver algum problema que a garantia não cubra.

- Utilização e desgaste normais.
- Danos devido a utilização incorreta, negligência ou acidente.
- Se tiverem sido realizadas reparações por terceiros.
- Todos os materiais utilizados têm uma classificação de resistência UV muito elevada. No entanto, a luz UV é muito agressiva e irá acabar por desvanecer o revestimento do banco. Isto não é abrangido pela nossa garantia, pois é considerado utilização e desgaste normais.
- Manuseie a cadeira auto com cuidado. Nunca transporte a cadeira auto segurando no apoio de cabeça.

Vielen Dank, dass Sie sich für Axxkid SPINKID 2 entschieden haben.

Bitte lesen Sie diese Bedienungsanleitung, bevor der Kindersitz im Fahrzeug installiert wird. Weitere Informationen und Installationsvideos siehe www.axkid.com.

Axxkid SPINKID 2 ist ein nach hinten gerichteter Kindersitz, der für Kinder mit einer Körpergröße zwischen 40 und 105 cm sowie einem Gewicht von maximal 18 kg zugelassen ist.

Dies ist ein erweitertes i-Size Kinderrückhaltesystem. Es ist gemäß UN-Verordnung Nr. 129 für den Einsatz in mit der i-Size kompatiblen Fahrzeugsitzpositionen gemäß den Angaben im Handbuch des jeweiligen Fahrzeugherstellers in der Bedienungsanleitung zugelassen. Im Zweifelsfall wenden Sie sich entweder an den Hersteller des erweiterten Kinderrückhaltesystems (www.axkid.com) oder an Ihren Händler.

Wichtige Informationen

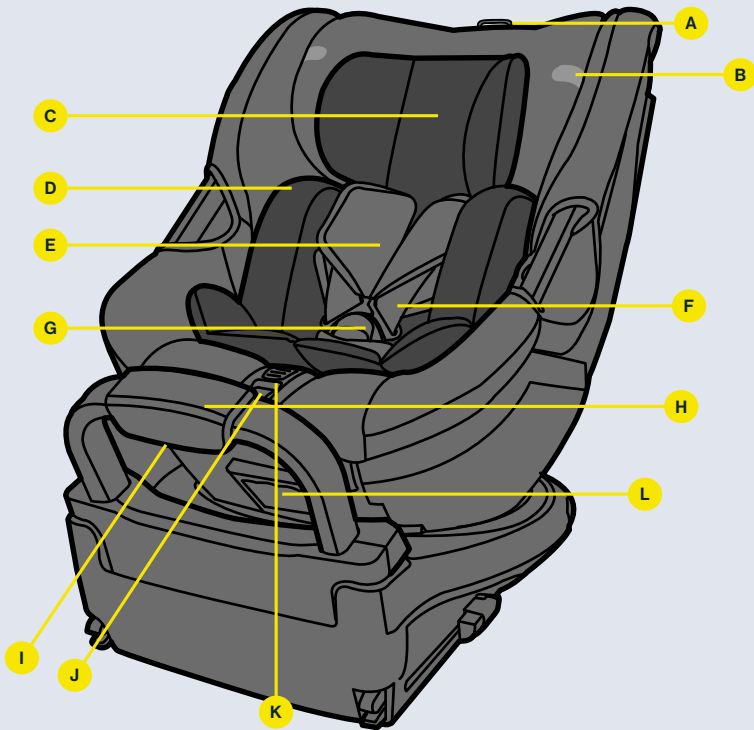
Um Ihrem Kind größtmögliche Sicherheit zu bieten, sollten Sie Folgendes beachten:

- Befolgen Sie stets die Anweisungen in diesem Handbuch. Eine fehlerhafte Installation kann die Sicherheit Ihres Kindes ernsthaft beeinträchtigen. Im Zweifelsfall wenden Sie sich bitte an Ihren Händler, der Ihnen die korrekte Installation vorführen kann.
- Bewahren Sie diese Gebrauchsanweisung für ein späteres Nachschlagen auf. Bei Verlust der Bedienungsanleitung finden Sie diese online unter www.axkid.com.
- Der Kindersitz darf nicht auf einem Sitzplatz mit aktivem Frontairbag angebracht werden. Wenn der Kindersitz dennoch an dieser Stelle angebracht werden soll, muss der Airbag gemäß den Anweisungen des Fahrzeugherstellers deaktiviert werden.
- Der Kindersitz ist nach jedem noch so kleinen Unfall immer auszutauschen. Er kann Schäden aufweisen, die nicht sichtbar sind und die Sicherheit Ihres Kindes ernsthaft beeinträchtigen können. Aus diesem Grund rät Axxkid vom Kauf von gebrauchten Kindersitzen ab.
- Wenn der Kindersitz direkter Sonneneinstrahlung ausgesetzt war, ist sicherzustellen, dass der Kindersitz nicht zu heiß ist, bevor das Kind hineingesetzt wird.
- Das Kind darf niemals unbeaufsichtigt im Auto zurückgelassen werden.
- Beachten Sie, dass Gepäck oder lose Gegenstände im Fahrzeug gesichert sind, da sie bei einem Unfall die Fahrzeuginsassen verletzen können.
- Stellen Sie sicher, dass der Kindersitz so installiert ist, dass keine Teile durch bewegliche Sitze, Autotüren usw. eingeklemmt werden.
- Auf keinen Fall darf versucht werden, Teile des Kindersitzes abzubauen oder zu verändern. Dies könnte die Gewährleistung und die Schutzwirkung des Axxkid-Kindersitzes beeinträchtigen.
- Der Kindersitz darf nie ohne den zugehörigen Stoffbezug verwendet werden. Der passgenaue Bezug des Sitzes dient der Sicherheit und darf nur durch einen Originalbezug von Axxkid für Kindersitze ersetzt werden.
- Aus dem Fahrzeughandbuch und der Fahrzeugliste auf www.axkid.com geht hervor, welcher Platz im Fahrzeug für diesen Kindersitz geeignet ist.
- Axxkid empfiehlt immer die Verwendung eines Sitzschutzes, damit der Fahrzeugsitz vor Kratzern und Schmutz geschützt ist.
- Bei Fragen wenden Sie sich an den Händler, bei dem der Kindersitz gekauft wurde, oder an info@axkid.com.
- Dieser Kindersitz darf nur nach hinten gerichtet installiert werden.
- Es ist stets darauf zu achten, dass der integrierte Sicherheitsgurt so festgezogen ist, dass er eng am Körper des Kindes anliegt. Der Gurt wird durch Verschieben der Kopfstütze verstell.
- Achten Sie darauf, dass der Rücken des Kindes fest im Kindersitz ist, wenn Sie Ihr Kind mit dem integrierten Sicherheitsgurt anschnallen.
- Achten Sie immer darauf, dass der integrierte Sicherheitsgurt eng an Ihrem Kind anliegt und das Schloss vollständig verriegelt ist; die Gurte sollten sich nicht mehr mit Daumen und Zeigefinger zusammenknäufen lassen.
- Stellen Sie sicher, dass der integrierte Sicherheitsgurt nicht verdreht ist.
- Stellen Sie sicher, dass sich der Stützfuß in der richtigen Position befindet und den Fahrzeugboden berührt. Der Stützfuß ist ein sehr wichtiger Bestandteil des Kindersitzes, der die Sicherheit des Kindes bei einem Unfall optimiert.

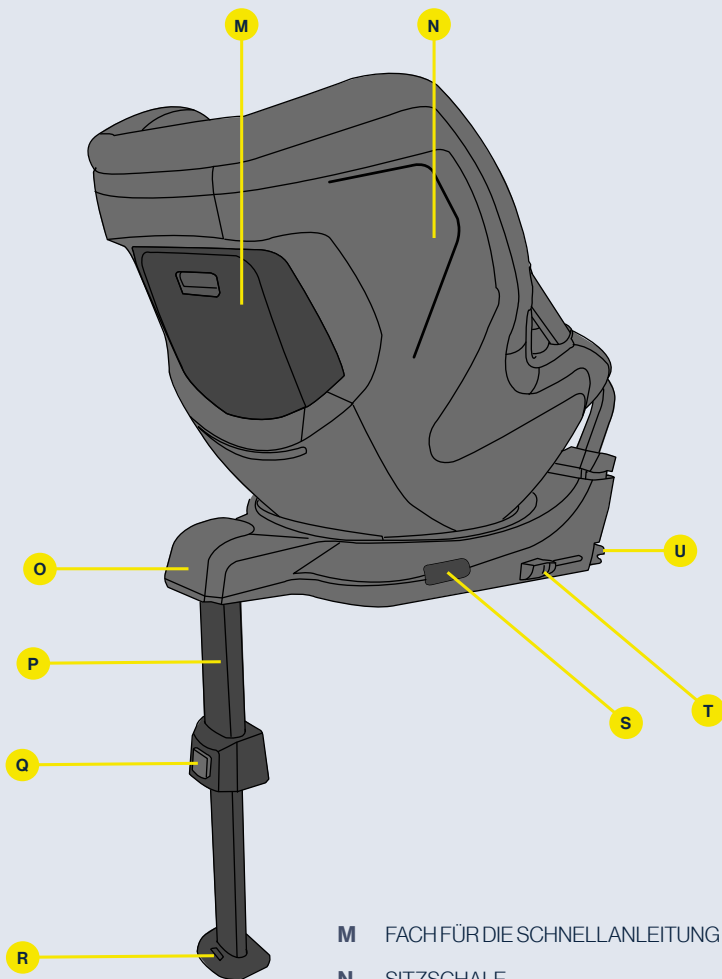
Inhaltsverzeichnis

Komponenten	42
Erlaubte und nicht erlaubte Positionen des Kindersitzes Axkid SPINKID 2	44
Einbau des Kindersitzes Axkid SPINKID 2 im Fahrzeug	45
Anschnallen des Kindes im Kindersitz Axkid SPINKID 2	46
Sitzeinstellungen	47
Ausbau des Kindersitzes Axkid SPINKID 2 aus dem Fahrzeug	47
Pflege und Instandhaltung	48
Garantie	49

Komponenten



- A EINSTELLKNOPF FÜR DIE KOPFSTÜTZE
- B AUGENHÖHE MARKIERUNG
- C KOPFSTÜTZE
- D NEUGEBORENEEINLAGE (≤ 75 CM)
- E SCHULTERPOLSTER
- F SCHULTERGÜRTE
- G GURTLÖSEKNOPF
- H ÜBERROLLBÜGEL
- I ÜBERROLLBÜGEL ENTRIEGELUNGSKNOPF
- J GURTSTRAFFER
- K GURTFREIGABEKNOPF
- L NEIGUNGSVERSTELLHEBEL



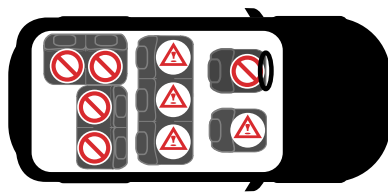
- M** FACH FÜR DIE SCHNELLANLEITUNG
- N** SITZSCHALE
- O** SITZGESTELL
- P** STÜTZFUSS
- Q** STÜTZFUSSVERSTELLKNOPF
- R** STÜTZFUSSANZEIGE
- S** DREHKNOPF
- T** ISOFIX-KNOPF MIT ANZEIGE
- U** ISOFIX-KONNEKTOREN



Erlaubte und nicht erlaubte Positionen des Kindersitzes Axkid SPINKID 2

Der Kindersitz Axkid SPINKID 2 darf ausschließlich nach hinten gerichtet und mit ISOFIX installiert werden. Er ist für den Einsatz in allen für die i-Size zugelassenen Sitzpositionen zugelassen, kann aber auch in andere nicht für die i-Size zugelassene ISOFIX-Sitzpositionen passen. Im Handbuch des jeweiligen Fahrzeugs werden geeignete Sitzpositionen beschrieben. Die Fahrzeugliste finden Sie unter auf www.axkid.com.

Beifahrersitz mit ISOFIX (kein aktiver Airbag)	JA/ NEIN*
Beifahrersitz mit ISOFIX (aktiver Airbag)	NO
Beifahrersitz hinten mit ISOFIX	JA
Seitlich und nach hinten ausgerichtete Sitze mit ISOFIX	NO
Sitze ohne ISOFIX	NO



WICHTIG: Wenn der Kindersitz Axkid SPINKID 2 an einer Stelle mit frontalem Airbag angebracht werden soll, muss der Airbag gemäß den Anweisungen des Fahrzeugherstellers deaktiviert werden. Dabei ist zu beachten, dass bei einigen Fahrzeugen die Deaktivierung des Airbags nur in einer Vertragswerkstatt erfolgen kann.

* Gemäß Artikel 117 der Allgemeinen Straßenverkehrsordnung in Spanien sind Kinder mit einer Körpergröße von 135 cm oder kleiner auf dem Vordersitz eines Fahrzeugs ausnahmslos verboten.



Eine Kinderrückhalteeinrichtung darf niemals auf einem Beifahrersitz angebracht werden, auf dem sich ein aktiver Airbag befindet.





Einbau des Kindersitzes Axxkid SPINKID 2 im Fahrzeug

1

Den Stützfuß (P) herabklappen.

2

Den Überrollbügel (H) mit dem Entriegelungsknopf (I) lösen und in Richtung des Sitzes klappen.

3

Die ISOFIX-Knöpfe (T) betätigen und die ISOFIX-Konnektoren (U) in die äußerste Position bringen.

4

Mit der anderen Hand den Überrollbügel (H) und die Sitzschale (O) ergreifen und den Kindersitz Axxkid SPINKID 2 in das Fahrzeug heben. Die ISOFIX-Konnektoren (U) in die ISOFIX-Anschlusspunkte im Fahrzeug drücken, bis ein Klicken zu hören ist und die ISOFIX Verriegelungsindikatoren grün leuchten. Den Überrollbügel(H) mit dem Entriegelungsknopf (I) lösen und in Richtung des Fahrzeugsitzes klappen. Den Kindersitz möglichst weit in Richtung des Fahrzeugsitzes schieben. Der Überrollbügel (H) sollte fest gegen den Fahrzeugsitz gedrückt werden.

5


Den Kindersitz anheben und den Stützfußknopf (Q) betätigen. Den Stützfußknopf (P) nach unten ziehen, bis der Stützfuß den Fahrzeugboden berührt. Den Stützfußverstellknopf (Q) freigegeben und den Kindersitz nach anheben, damit der Stützfuß (R) weiter ausgefahren werden kann, bis ein Klickgeräusch zu hören ist. Der Stützfuß (P) sollte nun verriegelt und fest gegen den Fahrzeugboden gedrückt sein.

Beachte: Der Stützfuß ist mit einer optischen Anzeige (R) ausgestattet, die grün wird, wenn er fest gegen den Boden gedrückt wird, was auf eine korrekte Installation hinweist.



Anschnallen des Kindes im Kindersitz Axxid SPINKID 2

Bevor das Kind im Kindersitz Axxid SPINKID 2 angeschnallt wird, ist sicherzustellen, dass sich der richtige Einsatz im Sitz befindet. Der Kindersitz Axxid SPINKID 2 wurde so gestaltet, dass er mit dem wachsenden Kind erweitert werden kann und einen bequemen und sicheren Sitz für Kinder gewährleistet. Axxid empfiehlt, den Einsatz so lange zu verwenden, bis er für das Kind zu eng ist, mindestens jedoch bis zu einer Mindestgröße gemäß der folgenden Tabelle (bitte beachten, dass das Alter nur einen Richtwert darstellt):

Alter	Körpergröße	
Säugling 0-1 Jahr	40 – 75 cm	
Kleinkind 1-4 Jahre	76 – 105 cm	Kein Einsatz

6

Den Drehknopf (S) betätigen. Den Kindersitz drehen, bis er in der äußersten Stellung einrastet.

7

Den integrierten Sicherheitsgurt durch Betätigung des Gurtfreigabeknopfes (E) lösen und beide Schultergurte (R) gleichzeitig herausziehen. *Beachte: Es sollte vermieden werden, nur an einem Gurt zu ziehen, da die Schultergurte dadurch ungleichmäßig werden können.*

8

Die Schnalle durch Betätigung des Gurtlöseknopfes (G) entriegeln und die Schnallenstecker oben auf den Magneten befestigen, die sich am Sitzrand befinden.

9

Am Einstellknopf für die Kopfstütze (A) ziehen und die Kopfstütze nach oben oder unten schieben, bis die Augenhöhenmarkierung (B) mit den Augen des Kindes übereinstimmen.

Hinweis: Die Augenhöhenanzeigen (B) dürfen nicht verwendet werden, wenn der Säuglingseinsatz verwendet wird. Immer darauf achten, dass sich die Kopfstütze in der niedrigsten Position befindet, wenn SPINKID 2 für Kleinkinder verwendet wird.

10

Das Kind in den Sitz setzen und die Schultergurte (R) über die Schultern des Kindes legen. Den integrierten Sicherheitsgurt wird wie folgt verriegelt: Zuerst die Teile des Schlosses, die an den Schultergurten (R) befestigt sind, zusammenführen und diese dann in das Schloss schieben, bis ein Klicken zu hören ist.

11

Sicherstellen, dass die Schultergurte (R) direkt von den Schultern des Kindes oder maximal 1 cm darüber durch den Sitz verlaufen. Möglicherweise muss die Kopfstütze (C) erneut angepasst werden, auch wenn die Augenhöhenanzeige dadurch nicht mehr mit den Augen Ihres Kindes übereinstimmt. An den Schultergurten (R) ziehen, um den integrierten Sicherheitsgurt über den Hüften des Kindes zu spannen. Die Spannung in den Schultergurten (F) halten und am Gurt (J) ziehen, bis der Gurt fest genug angezogen ist. Man sollte nicht mehr als einen Finger zwischen die Schultergurte (F) und die Schultern des Kindes stecken können.



Sitzeinstellung

Nachdem der Axkid SPINKID 2 Kindersitz im Fahrzeug installiert wurde, lassen sich die Liegeposition für das Kind ganz einfach einstellen. Dies ist auch dann möglich, wenn das Kind im Kindersitz angeschnallt ist.

12

Am Neigungsverstellhebel (L) ziehen, um den Sitz in eine der vier Raststellungen zu bringen.

13

Sobald das Kind sicher im Sitz angegurtet ist, den Drehknopf (S) betätigen und den Kindersitz drehen, bis er in der nach hinten gerichteten Position einrastet.



Ausbau des Kindersitzes Axkid SPINKID 2 aus dem Fahrzeug.

14

Den Kindersitz anheben und den Stützfußverstellknopf (Q) betätigen. Den Stützfuß (P) in seine kürzeste Stellung zusammenschieben.

15

Den Entriegelungsknopf (I) des Überrollbügels drücken und die Strebe (H) in Richtung des Fahrzeugsitzes klappen, damit die Spannung gegen den Fahrzeugsitz gelockert wird.

16

Zur Freigabe der ISOFIX-Konnektoren (U) die ISOFIX-Knöpfe (T) nach unten drücken und dann nach hinten vom Fahrzeugsitz weg schieben. Mit der anderen Hand den Überrollbügel (H) und die Sitzschale (O) ergreifen und den Kindersitz Axkid SPINKID 2 aus dem Fahrzeug heben. Die ISOFIX-Knöpfe (T) betätigen und die ISOFIX-Konnektoren (U) in die innersten Stellungen bringen.

Pflege und Instandhaltung

Der Stoffbezug des Sitzes kann bei 30 °C im Schonwaschgang der Waschmaschine gewaschen werden. Den Bezug nicht im Trockner trocknen, da er dadurch beschädigt werden und die Polsterung sich vom Stoff lösen kann. Auf www.axkid.com finden Sie Videos, in denen das Entfernen und Anbringen des Bezugs erläutert wird.

Abnahme des Stoffbezugs:

- Den integrierten Sicherheitsgurt durch Betätigung des Gurtfreigabeknopfes (E) lösen und beide Schultergurte (R) gleichzeitig herausziehen.
- Den Bezug vorsichtig von der Kopfstütze (C) abziehen.
- Die Kopfstütze (C) in die niedrigste Stellung absenken.
- Das Gurtschloss durch Betätigung des Schnallenfreigabeknopfes (C) entriegeln und das Gurtschlosspolster abnehmen.
- Die vier Knöpfe an der Rückenlehne auf der Innenseite des Kindersitzes öffnen und den Stoffbezug vorsichtig vom Kindersitz abziehen. In der Nähe von Kunststoffabdeckungen darauf achten, dass der Stoff nicht beschädigt wird. Nicht zu fest ziehen.
- Die Schulterpolster sind fest am Gurtsystem und dürfen demzufolge nur am Sitz mit einem milden handwarmen Seifenwasser behandelt werden.

Anbringen des Stoffbezugs

Die Schritte der obigen Anleitung in umgekehrter Reihenfolge ausführen, um den Stoffbezug wieder am Kindersitz anzubringen.

Wenn der Stoffbezug des Sitzes ausgetauscht werden muss, ist sicherzustellen, dass nur Originalprodukte von Axkid zum Einsatz kommen. Wenn andere Produkte verwendet werden, wird das Sicherheitssystem des Axkid-Kindersitzes möglicherweise beeinträchtigt, was bei Unfällen ernsthafte Verletzungen zur Folge haben kann.

Sämtliche Kunststoffteile des Axkid-Kindersitzes können mit mildem Reinigungsmittel und Wasser gereinigt werden. Keine aggressiven Chemikalien verwenden, die Lösungsmittel und dergl. enthalten, da dies zu Schäden am Kunststoff führen und die Sicherheit des Kindersitzes beeinträchtigen kann.

Recycling des Kindersitzes



Axkid empfiehlt dringend, alte Kindersitze zu recyceln. Bevor der Sitz einer örtlichen Recyclingstation übergeben wird, sind die Gurte vom Sitz abzuschneiden, der Stoffbezug und möglichst viele Styroporteile zu entfernen und Metall- und Kunststoffteile möglichst zu trennen. Der Hauptteil des Sitzes sollte als unsicher oder abgelaufen gekennzeichnet sein (Farbstift verwenden), damit niemand ihn erneut benutzen kann. Die Richtlinien der jeweiligen Gemeinde vor Ort enthalten Recyclinganweisungen für die verschiedenen Materialien.



Garantie

Alle gekauften Produkte von Axkid.de unterliegen der gesetzlichen zweijährigen Gewährleistungspflicht. Diese Produktgarantie deckt Herstellungsfehler ab, die bei Erhalt des Produkts bereits vorhanden waren bzw. Herstellungsfehler, die während der Garantiezeit zu Schäden geführt haben. Originalmängel müssen Axkid vorgelegt und von Axkid bestätigt werden.

Die Produktgarantie gilt nicht, wenn kein erkennbarer Mangel am Produkt vorliegt und/oder der Schaden durch unsachgemäße Anwendung verursacht wurde. Ausgeschlossen sind:

- Normale Verschleiß- und Abnutzungserscheinungen
- Schäden durch unsachgemäße Anwendung, Nachlässigkeit oder Unfall
- Reparaturen durch nicht autorisierte Personen

Sämtliche verwendeten Materialien zeichnen sich durch einen sehr hohen UV-Widerstand aus. UV-Licht ist jedoch sehr aggressiv und kann zum Ausbleichen des Bezugs führen. Dies gilt als normaler Verschleiß und fällt damit nicht unter unsere Garantieleistungen. Der Sitz ist pfleglich zu behandeln. Er darf niemals an der Kopfstütze getragen werden.

Merci d'avoir choisi Axkid SPINKID 2

Lisez ce Manuel d'utilisation avant d'installer le siège auto dans votre véhicule.

Pour obtenir plus d'informations et voir des vidéos d'installation, consultez www.axkid.com.

Axkid SPINKID 2 est un siège auto dos à la route homologué pour les enfants d'une taille comprise entre 40 et 105 cm, ≤ 18 kg.

Il s'agit d'un système de retenue pour enfants i-Size. Il est homologué conformément au Règlement n° 129 de l'ONU, pour une utilisation sur des places assises de véhicule compatibles i-Size, comme indiqué par les constructeurs de véhicules dans le manuel d'utilisation du véhicule. En cas de doute, consultez le fabricant du dispositif de retenue amélioré pour enfants (www.axkid.com) ou le détaillant.

Informations importantes

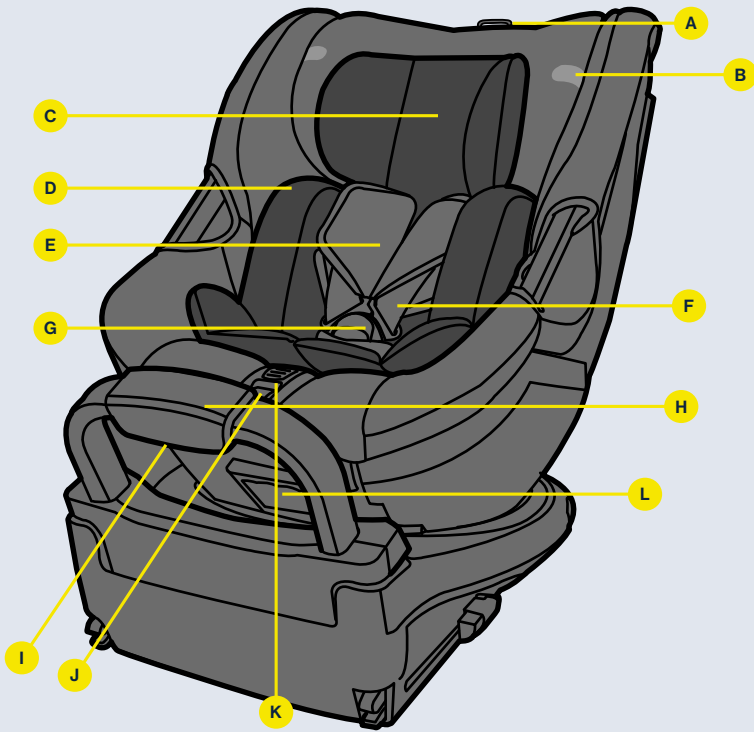
Pour maximiser la sécurité de votre enfant, il est important de garder à l'esprit ce qui suit :

- Suivez toujours les instructions de ce manuel. Une installation incorrecte peut gravement affecter la sécurité de votre enfant. En cas de doute, contactez votre revendeur qui peut vous démontrer une installation correcte.
- Conservez ce manuel d'utilisation pour référence ultérieure. Si vous avez perdu le manuel, vous pouvez le trouver en ligne sur www.axkid.com
- N'utilisez pas le siège auto sur une place équipée d'un airbag frontal actif. Si vous souhaitez quand même installer le siège auto à cet endroit, l'airbag doit être désactivé selon les instructions du constructeur du véhicule.
- En cas d'accident, aussi bénin soit-il, votre siège auto doit toujours être remplacé. Il peut présenter des dommages qui ne sont pas visibles et qui pourraient sérieusement affecter la sécurité de votre enfant. Pour cette raison, Axkid ne recommande pas d'acheter des sièges auto d'occasion.
- Si le siège auto a été exposé à la lumière directe du soleil, assurez-vous qu'il n'est pas trop chaud avant d'y installer votre enfant.
- Ne laissez jamais votre enfant sans surveillance dans la voiture.
- Assurez-vous que les bagages ou les objets en vrac sont fixés dans votre véhicule, car ils peuvent causer des blessures aux passagers en cas de collision.
- Assurez-vous que le siège auto pour enfant est installé de manière à ce qu'aucune partie ne soit coincée par les sièges, portières, de la voiture.
- N'essayez pas de démonter ou de modifier tout ou partie du siège auto. La garantie et les performances de sécurité du siège auto Axkid risquent d'en être affectées si vous le faites.
- N'utilisez jamais le siège auto pour enfant sans sa housse en tissu. La housse textile du siège est un élément de sécurité et ne peut être remplacée que par une housse textile de siège d'origine Axkid.
- Lisez le manuel du véhicule et la liste des véhicules compatibles sur www.axkid.com pour trouver les places assises qui conviennent pour ce siège auto.
- Axkid recommande de toujours utiliser une protection de siège pour protéger le siège de votre véhicule contre les rayures et la saleté.
- En cas de doute, contactez le revendeur chez lequel le siège auto a été acheté ou contactez service.fr@axkid.com.
- Ce siège auto ne peut être installé QUE dos à la route, dans le sens inverse de la marche.
- Assurez-vous toujours que le harnais est bien ajusté de façon à s'adapter correctement au corps de votre enfant. Le harnais est ajusté en déplaçant le support de tête.
- Assurez-vous que le dos de l'enfant est bien en contact avec le dossier du siège auto lorsque vous retenez votre enfant avec le harnais.
- Assurez-vous toujours que le harnais est fermement serré contre votre enfant et que la boucle est complètement verrouillée : vous ne devriez pas pouvoir pincer les sangles.
- Assurez-vous que le harnais ne soit pas vrillé.
- Assurez-vous toujours que la jambe de force soit dans la bonne position et qu'elle soit en contact avec le plancher du véhicule. La jambe de force est un élément de sécurité très important conçu pour maximiser la sécurité de votre enfant en cas d'accident.

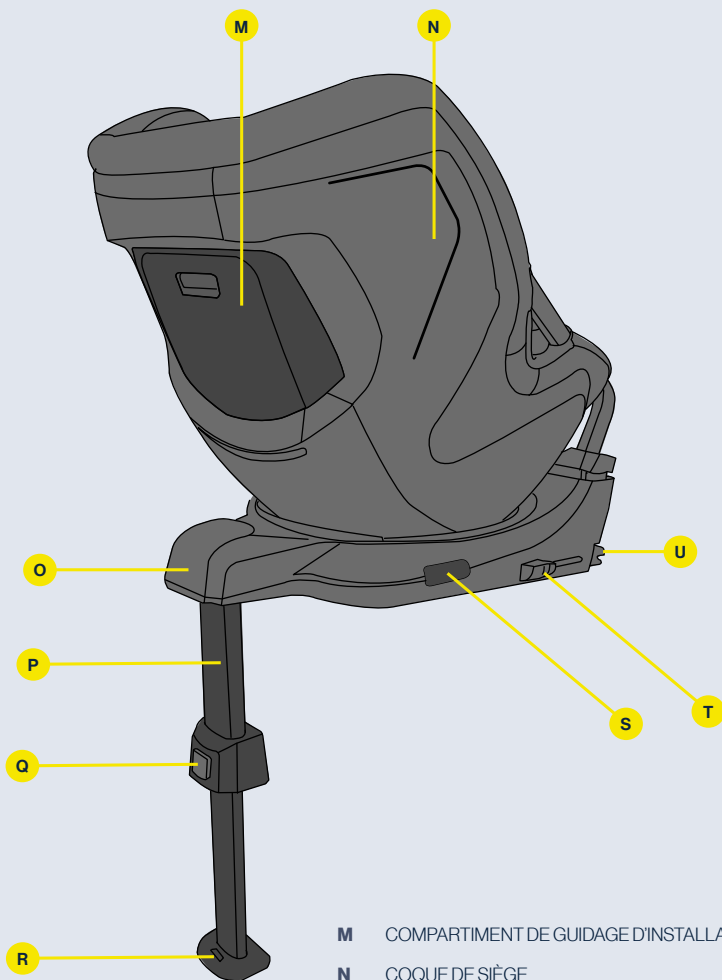
Sommaire

Composants	52
Positionnement autorisé et interdit du siège auto Axkid SPINKID 2	54
Installation du siège auto Axkid SPINKID 2 dans le véhicule	55
Attacher votre enfant dans le siège auto Axkid SPINKID 2	56
Réglages du siège	57
Retrait du siège auto Axkid SPINKID 2 du véhicule	57
Soin et entretien	58
Garantie	59

Composants



- A BOUTON DE RÉGLAGE DE L'APPUI-TÊTE
- B INDICATEUR DE NIVEAU DES YEUX
- C APPUI-TÊTE
- D INSERT NOURRISSON (≤ 75 CM)
- E PROTECTION DE HARNAIS
- F BRETELLES DE HARNAIS
- G BOUTON DE DÉVERROUILLAGE DE LA BOUCLE
- H BARRE ANTI-REBOND
- I BOUTON DE DÉVERROUILLAGE DE LA BARRE ANTI-REBOND
- J SANGLE DE SERRAGE DU HARNAIS
- K BOUTON DE DÉVERROUILLAGE DU HARNAIS
- L LEVIER DE RÉGLAGE D'INCLINAISON



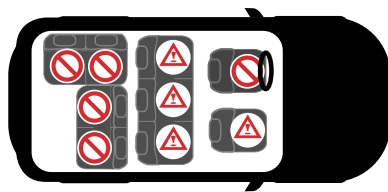
- M** COMPARTIMENT DE GUIDAGE D'INSTALLATION FACILE
- N** COQUE DE SIÈGE
- O** ASSISE DE SIÈGE
- P** JAMBE DE FORCE
- Q** BOUTON DE LA JAMBE DE FORCE
- R** INDICATEUR DE LA JAMBE DE FORCE
- S** BOUTON DE ROTATION
- T** BOUTON ISOFIX AVEC INDICATEUR
- U** CONNECTEURS ISOFIX



Positionnement autorisé et interdit du siège auto Axxkid SPINKID 2

Le siège auto Axxkid SPINKID 2 ne peut être installé que dos à la route. Il est homologué pour une utilisation sur toutes les places assises approuvées i-Size, mais peut également s'adapter à d'autres places assises non approuvées i-Size. Consultez le manuel d'instructions de votre véhicule pour trouver les places assises appropriées et consultez la liste des véhicules sur www.axkid.com.

Siège passager avant avec ISOFIX (sans airbag actif)	OUI/ NON*
Siège passager avant avec ISOFIX (airbag actif)	NO
Siège passager arrière avec ISOFIX	OUI
Sièges latéraux et tournés vers l'arrière avec ISOFIX	NO
Sièges sans ISOFIX	NO



IMPORTANT : Si vous souhaitez installer votre siège auto Axxkid SPINKID 2 à un endroit où un airbag est installé, l'airbag doit être déconnecté selon les instructions du constructeur de votre véhicule. Notez que pour certains véhicules, il est nécessaire de s'adresser à un centre de service agréé qui se chargera de déconnecter l'airbag.

* Le Règlement général de la circulation en Espagne, dans son article 117, interdit de conduire avec des enfants de taille égale ou inférieure à 135 centimètres installés sur les sièges avant du véhicule, sans la moindre exception.



N'installez jamais de dispositif de retenue pour enfants sur un siège passager où un airbag actif est installé.





Installation du siège auto Axkid SPINKID 2 dans le véhicule

1

Dépliez la jambe de force (P).

2

Déverrouillez la barre anti-rebond à l'avant (H) à l'aide du bouton de déverrouillage (I) et ramenez la vers le siège.

3

Appuyez sur les boutons ISOFIX (T) et sortez les connecteurs ISOFIX (U) dans leur position la plus longue.

4

Prenez la barre anti-rebond (H) et l'assise du siège (O) avec l'autre main et soulevez le siège auto Axkid SPINKID 2 pour le mettre dans votre véhicule. Poussez les connecteurs ISOFIX (U) dans les points de connexion ISOFIX du véhicule jusqu'à ce que vous entendiez un dé clic et les indicateurs du bouton ISOFIX (T) deviennent verts. Déverrouillez la barre anti-rebond avant (H) à l'aide du bouton de déverrouillage (I) et poussez la barre anti-rebond vers le siège du véhicule. Poussez le siège auto aussi loin que possible vers le siège du véhicule. La barre anti-rebond (H) doit être fermement poussé contre le siège du véhicule.

5

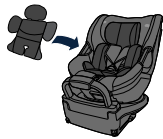
Soulevez légèrement le siège auto vers le haut et appuyez sur le bouton de la jambe de force (Q). Appuyez sur le bouton de la jambe de force(Q) et tirez la jambe de force (P) vers le bas jusqu'à ce qu'elle soit en contact avec le plancher du véhicule. Lâchez le bouton de la jambe de force(Q) et soulevez légèrement le siège auto vers le haut pour étendre davantage la jambe de force (P) jusqu'à ce que vous entendiez un dé clic. La jambe de force (P) doit maintenant être verrouillée et fermement appuyée contre le plancher du véhicule.

Nota : La jambe de force est équipée d'un indicateur visuel (R) qui devient vert lorsque la jambe de force est fermement poussée contre le plancher, indiquant une installation correcte.



Attacher votre enfant dans le siège auto Axxkid SPINKID 2

Avant de retenir votre enfant dans le siège auto Axxkid SPINKID 2, assurez-vous d'avoir le bon réducteur installé dans le siège. Axxkid SPINKID 2 est conçu pour grandir avec votre enfant et pour permettre un ajustement confortable et sûr pour l'enfant. Axxkid recommande d'utiliser le réducteur jusqu'à ce qu'il soit trop serré pour votre enfant, mais en respectant une taille minimale conformément au tableau ci-dessous (notez que l'âge n'est qu'indicatif) :

Âge	Taille	
Enfant 0-1 an	40–75 cm	
Bambin 1-4 ans	76–105 cm	Pas de réducteur

6

Appuyez sur le bouton de rotation (S). Faites pivoter le siège enfant jusqu'à ce qu'il se verrouille dans sa position la plus extérieure.

7

Desserrez le harnais en appuyant sur le bouton de déverrouillage du harnais (K) et tirez sur les deux bretelles (F) en même temps. *Nota : Évitez de ne tirer qu'une seule sangle à la fois, car cela pourrait rendre les bretelles inégales.*

8

Déverrouillez la boucle de harnais en appuyant sur le bouton de déverrouillage de la boucle (G) et posez les connecteurs métal de la boucle sur les aimants situés sur la tranche du siège auto.

9

Tirez sur le bouton de réglage de l'appui-tête (A) et faites glisser l'appui-tête vers le haut ou vers le bas jusqu'à ce que les indicateurs du niveau des yeux (B) soient alignés avec les yeux de votre enfant.

Remarque : les indicateurs de niveau des yeux (B) ne doivent pas être utilisés quand un réducteur bébé est utilisé. Assurez-vous toujours que l'appui-tête est dans la position la plus basse lorsque vous utilisez SPINKID 2 avec un bébé.

10

Installez votre enfant dans le siège et placez les bretelles (F) sur les épaules de votre enfant. Verrouillez le harnais en positionnant d'abord les parties de la boucle qui sont attachées aux bretelles (F) ensemble, puis poussez-les dans la boucle jusqu'à ce que vous entendiez un clic.

11

Vérifiez que les bretelles (F) démarrent au niveau des épaules de votre enfant ou au maximum 1 cm au-dessus. Vous devrez peut-être ajuster à nouveau l'appui-tête (C), même si l'indicateur de niveau des yeux s'aligne avec les yeux de votre enfant. Tirez sur les bretelles (F) pour resserrer le harnais sur les hanches de votre enfant. Tout en maintenant la tension dans les bretelles (F), tirez la sangle de serrage du harnais (J) jusqu'à ce que le harnais soit suffisamment serré. Vous ne devriez pas pouvoir insérer plus d'un doigt entre les bretelles (F) et les épaules de votre enfant.



Réglages du siège

Une fois le siège auto Axkid SPINKID 2 installé dans votre véhicule, vous pouvez facilement ajuster la position d'inclinaison pour votre enfant. Cela peut également être fait pendant que votre enfant est attaché dans le siège auto.

12

Tirez sur le levier de réglage d'inclinaison (L) pour ajuster le siège dans l'une des quatre positions disponibles.

13

Une fois l'enfant solidement attaché au siège, appuyer sur le bouton de rotation (S) et faire pivoter le siège enfant jusqu'à ce qu'il se verrouille dos à la route.



Retrait du siège auto Axkid SPINKID 2 du véhicule

14

Soulevez légèrement le siège auto vers le haut et appuyez sur le bouton de la jambe de force (Q). Raccourcissez la jambe de force (P) à sa position la plus courte.

15

Poussez le bouton de déverrouillage de la barre anti-rebond (I) et repliez la (H) vers le siège auto pour libérer la tension contre le siège du véhicule.

16

Déconnectez les connecteurs ISOFIX (U) en appuyant sur les boutons ISOFIX (T), puis en les ramenant vers le siège auto, à l'écart du siège du véhicule. Empoignez la barre anti-rebond (H) et l'assise du siège (O) avec l'autre main, et sortez le siège auto Axkid SPINKID 2 hors de votre véhicule. Poussez les boutons ISOFIX (T) et rétractez les connecteurs ISOFIX (U) vers leur position la plus courte.

Soin et entretien

La housse textile du siège peut être lavée en machine à 30 °C sur un cycle doux. Ne passez pas la housse au sèche-linge, car cela pourrait l'endommager et le rembourrage pourrait se détacher du tissu. Consultez www.axkid.com pour obtenir des vidéos expliquant comment retirer et fixer la housse.

Enlever la housse textile :

- Desserrez le harnais en appuyant sur le bouton de déverrouillage du harnais (K) et tirez sur les deux bretelles (F) en même temps.
- Tirez soigneusement la housse hors de l'appui-tête (C).
- Abaissez l'appui-tête (C) sur sa position la plus basse.
- Déverrouillez la boucle du harnais en appuyant sur le bouton de déverrouillage de la boucle (C) et retirez la housse de la boucle.
- Défaites les quatre boutons sur l'appui-tête sur le côté intérieur du siège auto, et enlevez doucement la housse textile du siège. Faites attention à ne pas endommager le tissu autour des caches en plastique. Ne tirez pas trop vigoureusement.
- Ouvrez les protection de harnais (E) et retirez-les doucement de la bande Velcro.

Remettre la housse textile

- Inversez les étapes de l'instruction ci-dessus pour réinstaller la housse textile sur le siège auto.
- Notez que les épaulettes peuvent être installées sur différentes positions. Installez-les dans une position adaptée à votre enfant ; les épaulettes doivent être positionnées sur le dessus de l'épaule et sur la poitrine de votre enfant. Assurez-vous également que la face en caoutchouc de la protection de harnais s'appuie contre la poitrine de votre enfant.

Si la housse de siège en textile a besoin d'être remplacée, veillez à n'utiliser que des produits Axkid d'origine. Si vous utilisez d'autres produits, le système de sécurité du siège auto peut être dégradé et provoquer de graves blessures en cas d'accident.

Toute pièce en plastique du siège auto Axkid peut être nettoyée avec un détergent doux et de l'eau. Évitez d'utiliser des produits chimiques agressifs contenant des solvants ou similaires, car ceux-ci peuvent endommager le plastique et compromettre la sécurité du siège auto.

Recyclage de votre siège auto



Axkid recommande vivement de recycler les sièges auto usés. Avant de déposer le siège à votre station de recyclage locale, coupez les bretelles du siège, enlevez la housse en tissu, enlevez autant de pièces en polystyrène que possible, séparez si possible les pièces métalliques des pièces en plastique. La principale partie du siège devra être marquée avec la mention «dangereux» (utilisez un marqueur) pour dissuader quiconque de le réutiliser. Veuillez consulter vos directives municipales locales avec les instructions de recyclage des différents matériaux.



Garantie

Le siège auto Axkid est couvert par une garantie de 24 mois à partir de la date d'achat. Conservez votre facture avec précaution et apportez-la à l'endroit où vous avez acheté le siège ; si vous avez une question quelconque sur la garantie. Cette garantie ne couvre pas .

- Usure normale.
- Dommages causés par une utilisation incorrecte, le négligence ou un accident.
- Si des réparations ont été faites par un tiers.
- Tous les matériaux utilisés ont une très haute résistance aux UV. Cependant, la lumière UV est très agressive et va inévitablement conduire à une décoloration de la housse du siège. Cette décoloration n'est pas couverte par notre garantie car elle est considérée comme une usure normale.
- Manipulez le siège avec précaution. Ne portez jamais le siège en le tenant par l'appui-tête.

Tack för att du valt Axxkid SPINKID 2

Läs denna instruktionsbok innan du monterar bilbarnstolen i bilen.
Mer information och monteringsfilmer finns på www.axkid.com.

Axxkid SPINKID 2 är en bakåtvänd bilbarnstol som är godkänd för barn som är mellan 40-105 cm, ≤18 kg.

Detta är ett i-Size-bilbarnstolssystem med förbättrat skydd. Det är godkänt i enlighet med FN-föreskrift nr 129/02 för användning i i-Size-kompatibla fordonssittlägen vilka anges av fordonstillverkaren i fordonets instruktionsbok. Om du är osäker, vänd dig antingen till tillverkaren av det förbättrade bilbarnstolssystemet (www.axkid.com) eller återförsäljaren.

Viktig information

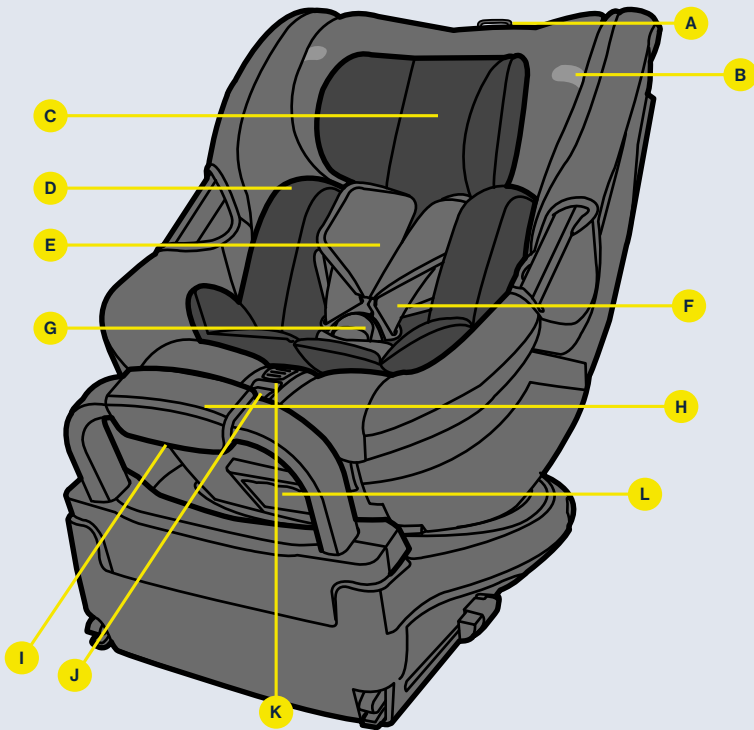
För att maximera säkerheten för barnet är det viktigt att tänka på följande:

- Följ alltid anvisningarna i instruktionsboken noggrant. En felaktig montering kan allvarligt påverka säkerheten för ditt barn. Om du är osäker på om du gjort rätt, kontakta din återförsäljare som kan visa dig korrekt montering.
- Spara denna instruktionsbok för framtida bruk. Om instruktionsboken går förlorad kan du hitta den online på www.axkid.com
- Använd inte bilbarnstolen på ett säte med en aktiv frontalkrockkudde. Om du trots allt vill montera bilbarnstolen på denna plats måste airbagen kopplas ur enligt fordonstillverkarens anvisningar.
- Bilbarnstolen ska bytas ut om den varit med om en olycka, oavsett hur liten olyckan än är. Den kan ha skador som inte syns vilka allvarligt kan påverka säkerheten för ditt barn. Därför avråder Axxkid alltid från att köpa en begagnad bilbarnstol.
- Om bilbarnstolen har utsatts för direkt solljus, kontrollera att sätet inte är för varmt innan du sätter fast ditt barn.
- Lämna aldrig barnet utan uppsikt i bilen.
- Se till att eventuellt bagage och lösa föremål är ordentligt fästa i bilen eftersom de kan orsaka personskada vid en olycka.
- Se till att bilbarnstolen är monterad så att inga delar kan fastna i rörliga säten, bildörrar osv.
- Försök inte att demontera eller modifiera någon del av bilbarnstolen. Garantin och säkerhetsprestandan för Axxkid-bilbarnstolen kan påverkas om du gör det.
- Använd aldrig bilbarnstolen utan dess tygklädsel. Sitsens tygklädsel är en säkerhetsfunktion och får endast ersättas med en Axxkid-originalklädsel i tyg.
- Läs fordonshandboken och fordonssittlistan på www.axkid.com för att se vilka sittplatser som är lämpliga att använda för denna bilbarnstol.
- Axxkid rekommenderar att alltid använda sitsskydd för att skydda bilens säte från repor och smuts.
- Om du känner dig osäker, kontakta återförsäljaren där bilbarnstolen köptes eller kontakta info@axkid.com.
- Denna bilbarnstol får endast monteras bakåtvänd.
- Se alltid till att bältet är justerat för att korrekt passa ditt barns kropp. Bältet justeras genom att man flyttar huvudstödet.
- Se till att barnets rygg ligger mot bilbarnstolen när du spänner fast ditt barn med bältet.
- Se alltid till att bältet är ordentligt åtdraget mot ditt barn och att spännet är helt låst. Du ska inte kunna nypa tag om remmarna.
- Se till att bältet inte har snott sig.
- Se alltid till att stödbenet är i rätt position och att det har kontakt med fordonets golv. Stödbenet är en mycket viktig säkerhetsdetalj som är utformad för att maximera barnets säkerhet vid en olycka.

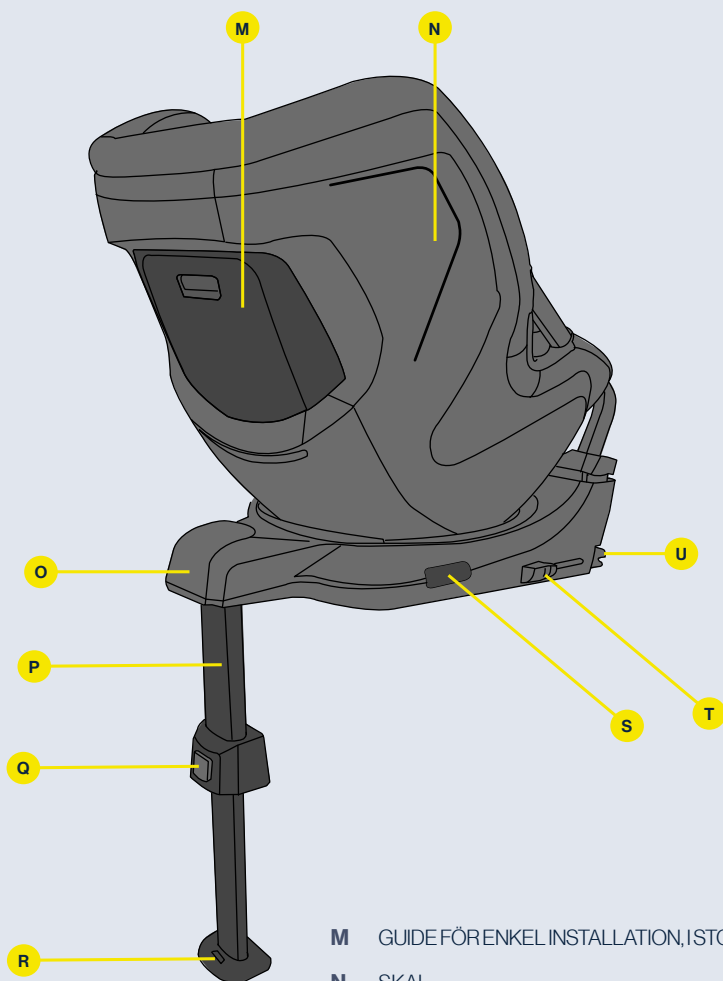
Innehållsförteckning

Delar	62
Tillåten och otillåten placering av bilbarnstolen Axxkid SPINKID 2	64
Montera Axxkid SPINKID 2-bilbarnstolen i fordonet	65
Spänna fast ditt barn i Axxkid SPINKID 2-bilbarnstolen	66
Sitsjusteringar	67
Ta bort Axxkid SPINKID 2-bilbarnstolen från fordonet	67
Skötsel och underhåll	68
Garanti	69

Delar



- A JUSTERINGSKNAPPAR FÖR NACKSTÖD
- B INDIKATOR FÖR ÖGONHÖJD
- C HUVUDSTÖD
- D SPÄDBARN SINLÄGG (≤ 75 CM)
- E AXELSKYDD
- F AXELREMMAR
- G FRIGÖRINGSKNAPP
- H FRÄMRE STAG
- I FRIGÖRINGSKNAPP FÖR FRÄMRE STAG
- J SPÄNNBAND FÖR BÄLTE
- K FRIGÖRINGSKNAPP FÖR BÄLTE
- L LUTNINGSSPAK



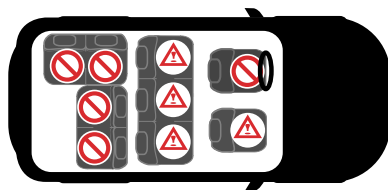
- M** GUIDE FÖRENKEL INSTALLATION, I STOLSFAKETT
- N** SKAL
- O** SITS
- P** STÖDBEN
- Q** KNAPP FÖR STÖDBEN
- R** INDIKATOR FÖR STÖDBEN
- S** VRED
- T** ISOFIX-KNAPP MED INDIKATOR
- U** ISOFIX-ANSLUTNINGAR



Tillåten och otillåten placering av bilbarnstolen Axxid SPINKID 2

Axxid SPINKID 2-bilbarnstolen får endast monteras bakåtvänd med hjälp av ISOFIX. Den är godkänd för användning i alla i-Size-godkända sittpositioner men kan också passa i andra icke i-Size-godkända ISOFIX-sittpositioner. Kontrollera vilka sittpositioner som är lämpliga i fordonets instruktionsbok och kontrollera fordonslistan på www.axkid.com

Främre passagerarsäte med ISOFIX (utan aktiv airbag)	JA/NEJ*
Främre passagerarsäte med ISOFIX (aktiv airbag)	NO
Baksäte med ISOFIX-fästen	JA
Sido- och bakåtvända säten med ISOFIX-fästen	NO
Säten utan ISOFIX	NO



VIKTIGT! Om du vill använda bilbarnstolen Axxid SPINKID 2 på en plats med airbag måste denna kopplas ur enligt fordonstillverkarens anvisningar. Observera att för vissa fordon krävs det att ett auktoriserat Service Center plockar bort krockkudden.

* Enligt artikel 117 i Spaniens allmänna trafikregleringen är det, utan undantag, förbjudet att köra med barn som är 135 centimeter långa eller kortare i fordonets framsäten.



Montera aldrig basen på ett säte där det finns en aktiv krockkudde.





Montera Axxid SPINKID 2-bilbarnstolen i fordonet

1

Fäll ut stödbenet (P).

2

Lossa det främre staget (H) med frigöringsknappen (i) och fäll det främre staget mot sätet.

3

Tryck in ISOFIX-knapparna (T) och dra ut ISOFIX-kopplingarna (U) så långt det går.

4

Ta tag i det främre staget (H) och stolsbasen (O) med andra handen och lyft in Axxid SPINKID 2-bilbarnstolen i bilen. Skjut in ISOFIX-kopplingarna (U) i ISOFIX-kopplingspunkterna i fordonet tills du hör ett klickljud och båda ISOFIX-låsindikatorerna (T) blir gröna. Lossa det främre staget (H) med frigöringsknappen (i) och fäll det främre staget mot bilsätet. Tryck bilbarnstolen så långt det går mot bilsätet. Det främre staget (H) ska tryckas ordentligt mot bilsätet.

5


Lyft sätet uppåt och tryck på stödbensknappen (Q). Dra stödbenet (P) nedåt tills det är i kontakt med fordonets golv. Släpp upp stödbenets knapp (Q) och förläng stödbenet (R) tills du hör ett klick. Stödbenet (P) bör nu vara låst och ordentligt pressat mot fordonets golv.

OBS! Stödbenet är utrustat med en visuell indikator (R) som börjar lysa grönt när stödbenet (R) är ordentligt pressat mot golvet, vilket indikerar korrekt montering.



Spänna fast ditt barn i Axxkid SPINKID 2-bilbarnstolen

Innan du spänner fast ditt barn i Axxkid SPINKID 2-bilbarnstolen, se till att korrekt inlägg är monterat i sätet. Axxkid SPINKID 2 är utformad för att växa med ditt barn och för att garantera en bekväm och säker passform för alla barn. Axxkid rekommenderar att använda inlägget tills passformen är för snäv för ditt barn, minimilängden enligt tabellen nedan ska dock respekteras (observera att åldern endast är en indikation):

Ålder	Längd	
Spädbarn 0-1 år	40 – 75 cm	
Småbarn 1-4 år	76 – 105 cm	Inget inlägg

6

Tryck in vredet (S). Vrid bilbarnstolen tills den låser i ytterläget.

7

Lösa bältet genom att trycka på bältets frigöringsknapp (K) och dra ut båda axelbanden (F) på samma gång. **OBS!** Undvik att endast dra i ett band i taget eftersom det kan leda till att axelbanden blir ojäma.

8

Lås upp spännet genom att trycka in frigöringsknappen på spännet (G) och fäst kopplingarna på spännet på magneterna på stolskanten.

9

Dra i justeringsknappen för nackstödet (A) och höj eller sänk nackstödet tills indikatorerna för ögonhöjd (B) är i nivå med barnets ögon.
Obs: Indikatorerna för ögonhöjd (F) ska inte användas vid användning av spädbarnsinlägget. Se alltid till att nackstödet är i det understa läget när du använder SPINKID 2 för spädbarn.

10

Placera ditt barn i sätet och placera axelbanden (F) över barnets axlar. Lås bältet genom att först sätta ihop spännedelarna som är fästa i axelbanden (F) och tryck sedan in dem i spännet tills du hör ett klickljud.

11

Kontrollera att axelbanden (F) går vinkelrätt in genom sätet från barnets axlar eller högst 1 cm ovanför. Du kan behöva justera nackstödet (E) igen, även om indikator för ögonhöjd hamnar ur linje med barnets ögon. Dra nu i axelbanden (F) för att dra åt bältet över barnets höfter. Dra i selens spännrem (J) tills selen är tillräckligt spänd samtidigt som du ser till att axelremarna (F) är spända. Du ska inte kunna få in mer än ett finger mellan axelremarna (F) och ditt barns axlar.



Sitsjusteringar

Efter att Axkid SPINKID 2-bilbarnstolen har monterats i ditt fordon kan du enkelt justera ryggstödet lutning för ditt barn. Detta kan också göras medan ditt barn sitter fastspänt i bilen sätet.

12

Dra i justeringsspaken (L) för att justera sätet till något av de fyra fasta lägena.

13

När barnet är ordentligt fäst i sätet trycker du på rotationsknappen (S) och vrider barnsätet tills det låses på plats i bakåtvänt läge.



Ta bort Axkid SPINKID 2-bilbarnstolen från fordonet

14

Lyft sätet uppåt och tryck på stödbensknappen (Q). Komprimera stödbenet (P till dess kortaste position.

15

Tryck på frigöringsknappen för det främre staget (I) och fäll det främre staget (H) mot sätet för att lossa på spänningen mot fordonssätet.

16

Koppla loss ISOFIX-kopplingarna (U) genom att trycka ned ISOFIX-knapparna (T) och skjut dem bakåt, bort från fordonets säte. Ta tag i det främre staget (H) och stolsbasen (O) med andra handen och lyft ut Axkid SPINKID 2-bilbarnstolen ur bilen. Tryck in ISOFIX-knapparna (T) och dra in ISOFIX-kopplingarna (U) så långt det går.

Skötsel och underhåll

Sätets tygklädsel kan tvättas i maskin på 30 °C handtvättsprogram. Torka inte i torktumlare, det kan skada klädseln och vadderingen kan lossna från tyget. På www.axkid.com finns filmer som visar hur man tar av och sätter tillbaka klädseln.

Ta bort tygklädseln:

- Lossa bältet genom att trycka på bältets frigöringsknapp (K) och dra ut båda axelbanden (F) på samma gång.
- Dra försiktigt av klädseln från huvudstödet (C).
- Sänk nackstödet (C) till det lägsta läget.
- Lås upp bältesspännet genom att trycka på spännets frigöringsknapp (G) och ta bort bältesspännet.
- Knäpp upp de fyra knapparna på ryggstödet på bilbarnstolens insida och dra försiktigt av tygklädseln från stolen. Var försiktig runt plastöverdragen så att inte klädseln skadas. Dra inte för hårt.
- Öppna axelkuddarna (E) och ta försiktigt ut dem från kardborrbandet.

Installera tygklädseln

- Utför stegen i instruktionen ovan i omvänd ordning för att installera textilklädseln på bilbarnstolen igen.
- Observera att axelkuddarna kan installeras i olika positioner. Installera dem i en position som passar ditt barn. Axelkuddarna ska placeras ovanför axeln och på ditt barns bröst. Se även till att gummisidan på axelkudden är vänd mot ditt barns bröst.

Om textilklädseln behöver bytas ut, använd endast originalprodukter från Axkid. Om andra produkter används äventyras Axkid-bilbarnstolens säkerhetssystem, vilket kan orsaka allvarlig personskada eller dödsfall vid en olycka.

Alla plastdelar på Axkid-bilbarnstolen kan rengöras med mildt rengöringsmedel och vatten. Använd inte starka kemikalier som innehåller lösningsmedel och liknande, eftersom det kan skada plasten och försämra bilbarnstolens säkerhet.

Återvinna bilbarnstolen



Axkid rekommenderar starkt att gamla bilbarnstolar återvinns. Innan du slänger bilbarnstolen på återvinningscentralen ska du skära av banden till selen från stolen. Ta därefter av klädseln. Ta även bort så många frigitdelar som möjligt och om möjligt även separata metall- och plastdelar. Själva stolen ska märkas upp som osäker eller utgången (använd en märkpenna) så att ingen annan använder den. Kontrollera din kommuns riktlinjer för hur de olika materialen ska återvinnas.

Garanti

Axkid-bilbarnstolen omfattas av en 24 månaders garanti från inköpsdatumet. Spara alltid kvittot och ta med det till återförsäljaren vid eventuell reklamation som inte täcks av garantin.

- Normalt slitage.
- Skada till följd av felaktig användning, försummelse eller olycka.
- Reparationer som utförts av tredje part.
- Alla material har hög motståndskraft mot UV-strålning. UV-strålning från solen är emellertid mycket stark och gör att tyget bleks. Detta omfattas inte av garantin utan anses vara normalt slitage.
- Hantera sätet med försiktighet. Bär aldrig bilbarnstolen i nackstödet.

Takk for at du har valgt Axkid SPINKID 2

Les denne bruksanvisningen før du monterer bilstolen i kjøretøyet ditt. Du finner mer informasjon og monteringsvideoer på www.axkid.com.

Axkid SPINKID 2 er en bakovervendt bilstol godkjent for barn med en høyde mellom 18–125 cm, ≤18 kg.

Dette er et forbedret barnesikringssystem av typen i-Size. Systemet er godkjent i henhold til FNs forordning nr. 129 for bruk i i-Size-kompatible seteplasser som angitt av kjøretøyprodusentene i kjøretøyet instruksjonsbok. Er du usikker, ber vi deg kontakte produsenten av barnesikringssystemet (www.axkid.com) eller forhandleren.

Viktig informasjon

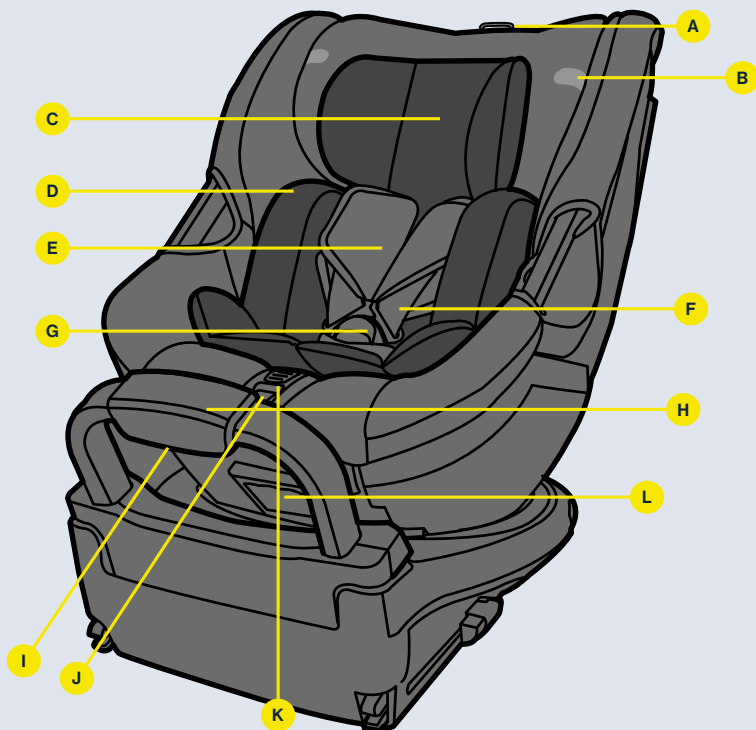
For at barnet skal være maksimalt beskyttet er det viktig å huske følgende:

- Følg alltid instruksjonene i denne bruksanvisningen. Feilaktig montering kan få alvorlige følger for barnets sikkerhet. Er du usikker, ber vi deg kontakte forhandleren for å få en demonstrasjon av riktig montering.
- Ta vare på denne bruksanvisningen for fremtidig referanse. Skulle du miste bruksanvisningen, finner du den på www.axkid.com
- Ikke bruk bilstolen på en seteplass der det er montert en aktiv kollisjonspute. Hvis du likevel ønsker å montere bilstolen i dette setet, må kollisjonsputen deaktiveres i henhold til bilprodusentens anvisninger.
- Hvis du blir utsatt for en ulykke, må bilstolen alltid skiftes ut, uansett hvor alvorlig ulykken er. Den kan ha skader som ikke er synlige, og som kan få alvorlige følger for barnets sikkerhet. Derfor anbefaler Axkid at du ikke kjøper en brukt bilstol.
- Hvis bilstolen har vært utsatt for direkte sollys, må du kontrollere at det ikke er for varm før du setter inn barnet.
- Gå aldri fra barnet uten tilsyn i kjøretøyet.
- Sørg for at bagasje eller løse gjenstander er sikret i kjøretøyet, fordi de kan skade passasjerer i en eventuell ulykke.
- Sørg for å montere bilstolen slik at ingen av delene på den kan sette seg fast i regulerbare seter, bildører og lignende.
- Ikke forsøk å demontere eller modifisere noen deler av bilstolen. Garantien og ytelsen til bilsetet fra Axkid kan bli påvirket hvis du gjør det.
- Ikke bruk bilstolen uten tekstiltrekket. Tekstiltrekket er en sikkerhetsfunksjon og må bare skiftes ut med et originalt tekstiltrekk fra Axkid.
- Les i brukerhåndboken til kjøretøyet, samt kjøretøylisten på www.axkid.com for å finne egnede plasseringer av bilstolen.
- Axkid anbefaler at du alltid bruker setebeskyttelse for å beskytte setet i kjøretøyet mot riper og smuss.
- Hvis du er i tvil kan du ta kontakt med forhandleren der bilstolen ble kjøpt, eller sende en henvendelse til info@axkid.com.
- Bilstolen skal kun monteres bakovervendt.
- Sørg alltid for at selen justeres slik at den passer til barnets kropp. Selen justeres ved å flytte hodestøtten.
- Sørg for at barnets rygg skyves mot bilstolen når du spenner fast barnet med selen.
- Sørg alltid for at selen er godt strammet mot barnet og at spennen er helt låst. Det skal ikke være mulig å klemme stroppene sammen.
- Sørg for at selen ikke er vridd.
- Sørg alltid for at støttebeinet står i riktig posisjon og har kontakt med gulvet i kjøretøyet. Støttebeinet er en viktig sikkerhetsfunksjon som er designet for å gi barnet maksimal sikkerhet i en ulykke.

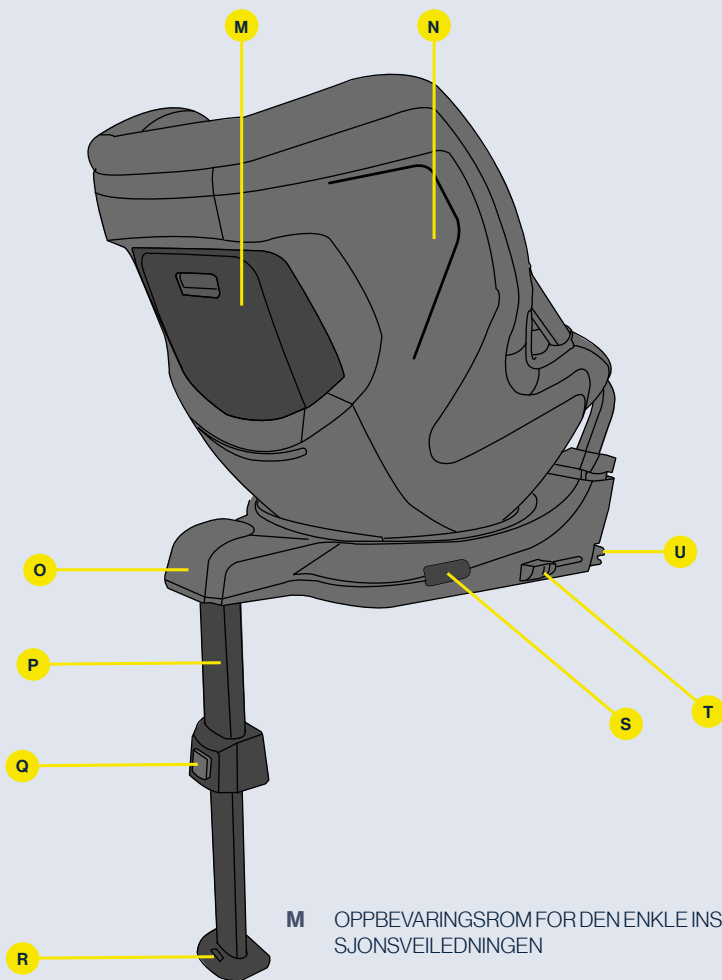
Innholdsfortegnelse

Deler	72
Tillatte og ulovlige plasseringer av bilstolen Axxkid SPINKID 2	74
Montere Axxkid SPINKID 2 i kjøretøyet	75
Feste barnet i bilstolen Axxkid SPINKID 2	76
Justeringer av stolen	77
Demontering av bilstolen Axxkid SPINKID 2 i kjøretøyet	77
Stell og vedlikehold	78
Garanti	79

Deler



- A KNAPP FOR JUSTERING AV NAKKESTØTTEN
- B ØYENIVÅINDIKATOR
- C NAKKESTØTTE
- D SPEDBARNINNLEGG (≤ 75 CM)
- E SKULDERPUTER
- F SKULDERSTROPPER
- G FRIGJØRINGSKNAPP FOR SPENNE
- H FRAMRE STØTTE
- I FRIGJØRINGSKNAPP FOR FRAMRE STØTTE
- J STRAMMESTROPP TIL SELE
- K FRIGJØRINGSKNAPP FOR SELE
- L JUSTERINGSSPAK FOR SETEVINKEL



M OPPBEVARINGSROM FOR DEN ENKLE INSTALLASJONSVEILEDNINGEN

N STOLSKALL

O STOLBASE

P STØTTEBEIN

Q KNAPP FOR STØTTEBEIN

R INDIKATOR FOR STØTTEBEIN

S ROTASJONSKNAPP

T ISOFIX-KNAPP MED INDIKATOR

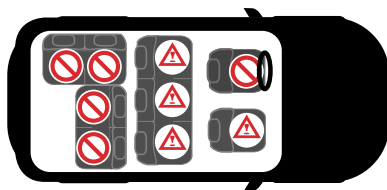
U ISOFIX-KOBLINGER



Tillatte og ulovlige plasseringer av bilstolen Axxid SPINKID 2

Bilstolen Axxid SPINKID 2 kan bare monteres bakovervendt ved hjelp av ISOFIX. Den er godkjent for bruk i alle i-Size-godkjente seter, men kan også passe i andre ISOFIX-seter som ikke er i-Size-godkjent. Sjekk kjøretøyets instruksjonsbok for å finne egnede seteplasser, og sjekk kjøretøylisten på www.axkid.com

Passasjer sete foran med ISOFIX (uten aktiv kollisjonspute)	JA/NEI*
Passasjer sete foran med ISOFIX (med aktiv kollisjonspute)	NEI
Passasjer sete bak med ISOFIX	JA
Side- og bakovervendte seter med ISOFIX	NEI
Seter uten ISOFIX	NO



VIKTIG: Hvis du vil montere bilstolen Axxid SPINKID 2 på et sted med kollisjonspute, må kollisjonsputen deaktiveres i henhold til instruksjonene fra produsenten av kjøretøyet. Merk at noen kjøretøy krever at et autorisert servicesenter kobler fra kollisjonsputen.

* Paragraf 117 i den generelle trafikkriften i Spania fastslår at det er forbudt å kjøre med barn med en kroppshøyde under 135 centimeter i kjøretøyets forseter, og dette gjelder uten unntak.



Monter aldri en bilstol i et passasjer sete der det er en aktiv kollisjonspute.





Montere Axxid SPINKID 2 i kjøretøyet

1

Fell ned støttebeinet (P).

2

Frigjør den framre støtten (H) med utløserknappen (I) og brett den mot setet.

3

Trykk på ISOFIX-knappene (T) og utvid ISOFIX-koblingene (U) til de ytterste posisjonene.

4

Ta tak i den framre støtten (H) og stolbunnen (O) med den andre hånden og løft Axxid SPINKID 2 inn i kjøretøyet. Skyv ISOFIX-tilkoblingspunktene inn i ISOFIX-festene i kjøretøyet til du hører et klikk, og ISOFIX-indikatorene (T) blir grønne. Frigjør den framre støtten (H) med utløserknappen (I) og brett den mot setet i kjøretøyet. Skyv bilstolen så langt som mulig mot bilsetet. Den framre støtten (H) skal presses godt mot bilsetet.

5


Løft opp bilstolen og trykk på utløserknappen (Q) til støttebeinet. Trekk støttebeinet (P) nedover til det kommer i kontakt med gulvet i kjøretøyet. Slipp knappen (Q) og løft bilstolen opp for å forlenge støttebeinet (R) ytterligere til du hører et klikk. Støttebeinet (P) skal nå være låst og stå fast mot gulvet i kjøretøyet.

Merk: Støttebeinet er utstyrt med en visuell indikator (R) som blir grønn når det er godt presset mot gulvet, noe som indikerer riktig installasjon.



Feste barnet i bilstolen Axxid SPINKID 2

Før du spenner barnet fast i bilstolen Axxid SPINKID 2 må du kontrollere at de korrekte innleggene er montert i stolen. Axxid SPINKID 2 er konstruert med tanke på å vokse med barnet og sørge for at alle barn sitter behagelig og sikkert. Axxid anbefaler å bruke det relevante innlegget til det blir for stramt for barnet, men inntil en minimumslengde i henhold til tabellen nedenfor (merk at alderen bare er en indikasjon):

Alder	Høyde	
Spedbarn 0-1 år	40-75 cm	
Småroling 1-4 år	76-105 cm	Ingen innlegg

6

Trykk på rotasjonsknappen (S). Roter barnesetet til det låses i ytterste posisjon.

7

Løsne selen ved å trykke på utløserknappen (K), og trekk samtidig ut begge skulderstroppene (F). *Merk: Unngå å trekke i bare én stropp av gangen, fordi dette kan gjøre at skulderstroppene blir ujevne.*

8

Lås opp spennen ved å trykke på utløserknappen (G) og fest spennene på magnetene du finner langs kanten av setet.

9

Trekk i knappen for justering av nakkestøtten (A) og skyv nakkestøtten opp eller ned til øyehøydeindikatorene (B) er på linje med barnets øyne.

Merk: Øyehøydeindikatorene (B) skal ikke brukes ved bruk av spedbarnsinnlegget. Når du bruker Axxid SPINKID 2 til et spedbarn, må du alltid kontrollere at nakkestøtten står i laveste stilling.

10

Plasser barnet i stolen, og legg skulderstroppene (F) over barnets skulder. Lås selen ved først å plassere delene av spennen som er festet til skulderstroppene (F), sammen og deretter trykke dem inn i spennen til du hører et klikk.

11

Kontroller at skulderstroppene (F) går gjennom stolen rett fra barnets skuldre eller maksimalt 1 cm over. Du må kanskje justere nakkestøtten (C) på nytt selv om det da fører til at øyenivåindikatoren ikke lenger er på linje med barnets øyne. Trekk nå i skulderstroppene (F) for å stramme selen over barnets hofter. Mens du holder spenningen i skulderstroppene (F), trekk i selens stropper (J) fram til selen er strammet nok. Du bør ikke kunne plassere mer enn én finger mellom skulderstroppene (F) og barnets skuldre.



Justeringer av stolen

Etter at bilstolen Axxkid SPINKID 2 er montert i kjøretøyet, er det enkelt å justere både bein plass og ryggvinkel for barnet. Dette kan også gjøres mens barnet er spent fast i bilstolen.

12

Trekk i justeringsspaken (L) for å justere setet i stolen til en av de fire faste posisjonene.

13

Når barnet er sikkert festet i setet, trykker du på rotasjonsknappen (S) og roterer barnesetet til det låses i bakovervendt posisjon.



Demontering av bilstolen Axxkid SPINKID 2 i kjøretøyet

14

Løft bilstolen og trykk på utløserknappen (Q) til støttebeinet. Sett støttebeinet (P) i korteste posisjon.

15

Trykk inn utløserknappen til den framre støtten (I) og fold den framre støtten (D) mot stolen for å løsne trykket mot setet i kjøretøyet.

16

Løsne ISOFIX-koblingene (U) ved å trykke ned ISOFIX-knappene (T) og deretter skyve dem bakover og vekk fra setet i kjøretøyet. Ta tak i den framre støtten (H) og stolbunnen (O) med den andre hånden og løft Axxkid SPINKID 2 ut av kjøretøyet. Trykk på ISOFIX-knappene (T) og utvid ISOFIX-koblingene (U) til de ytterste posisjonene.

Stell og vedlikehold

Tekstiltrekket til bilstolen kan vaskes i maskin ved 30° C på et skånsomt program. Trekket må ikke tørkes i tørketrommel. Det kan skade trekket og gjøre at polstringen løsner fra stoffet. På www.axkid.com finner du filmer som viser hvordan trekket skal tas av og settes på igjen.

Fjerne tekstiltrekket:

- Løsne selen ved å trykke på utløserknappen (K), og trekk samtidig ut begge skulderstroppene (F).
- Dra trekket forsiktig av nakkestøtten (C).
- Senk nakkestøtten (C) til laveste posisjon.
- Lås opp selen ved å trykke på utløserknappen for spennen (G) og fjern dekslet.
- Åpne de to glidelåsene på ryggstøtten på innsiden av bilstolen, og fjern tekstiltrekket forsiktig. Vær forsiktig rundt plastdeksler slik at du ikke skader tekstilet. Ikke dra for hardt.
- Åpne skulderputene (E) og fjern dem forsiktig fra borrelåsen.

Montere tekstiltrekket

- Reverser trinnene fra instruksjonen ovenfor for å montere tekstiltrekket på bilstolen igjen.
- Vær oppmerksom på at skulderputene kan monteres i forskjellige posisjoner. Plasser dem i en posisjon som passer for barnet ditt, skulderputene skal plasseres på toppen av skulderen og på barnets bryst. Pass også på at gummisiden av skulderputen vender mot barnets bryst.

Hvis trekket må byttes, må du bare bruke originale produkter fra Axxid. Bruk av andre produkter kan skade sikkerhetssystemet til bilstolen fra Axxid, og forårsake alvorlige skader i en eventuell ulykke.

Alle plastdelene på bilstolen fra Axxid kan rengjøres med mild såpe og vann. Ikke bruk kraftige kjemikalier som inneholder løsemidler eller lignende, fordi dette kan skade plasten og gjøre bilstolen mindre sikker.

Resirkulering av bilstolen



Axxid anbefaler på det sterkeste gjenvinning av gamle bilstoler. Før du setter igjen bilstolen på din lokale gjenvinningsstasjon må du klippe av selestroppene, fjerne tekstiltrekket og fjerne så mange isopordeler som mulig. Skill også metall- og plastdeler hvis mulig. Hoveddelen av setet skal være merket som usikkert eller utløpt (bruk en markør) for å avskrekke noen fra å bruke det igjen. Vennligst sjekk de lokale retningslinjene for resirkulering av de forskjellige materialene.



Garanti

Bilstolen fra Axxid leveres med en 24-måneders garanti fra kjøpsdatoen. Ta vare på kvitteringen, og ta den med til stedet der bilstolen er kjøpt, ved en eventuell reklamasjon.

- Normal slitasje.
- Skader som skyldes feil bruk, forsømmelser eller ulykker.
- Reparasjoner som er utført av tredjepart.
- Alle materialer som er brukt, er svært UV-bestandige. Men UV-lys er svært aggressivt, og vil til slutt føre til at setetrekket falmer. Dette dekkes ikke av garantien, siden det anses som normal slitasje.
- Håndter bilstolen forsiktig. Bær aldri setet ved å holde i nakkestøtten.

Kiitos, että valitsit Axkid SPINKID 2 -turvaistuimen

Lue nämä käyttöohjeet ennen kuin asennat turvaistuimen ajoneuvoosi.
Lisätietoja ja asennusvideoita on osoitteessa www.axkid.com.

Axkid SPINKID 2 on selkä menosuuntaan asennettava turvaistuin, joka on hyväksytty lapsille, joiden pituus on 40–105 cm ja paino korkeintaan 18 kg.

Tämä on i-Size-hyväksytty tehostettu lasten turvajärjestelmä. Se on hyväksytty YK:n asetuksen nro 129 mukaisesti käytettäväksi ajoneuvon i-Size-istuinpaikoilla ajoneuvon valmistajan ohjeiden mukaisesti. Jos olet epävarma, ota yhteyttä joko tehostetun lasten turvajärjestelmän valmistajaan (www.axkid.com) tai jälleenmyyjään.

Tärkeää tietoa

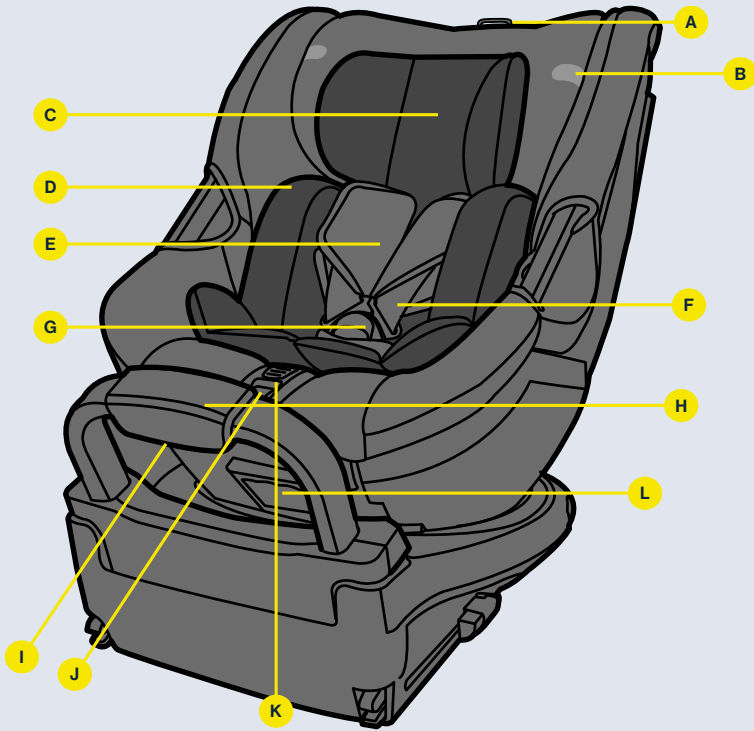
Lapsesi turvallisuuden maksimoimiseksi on tärkeää huomioida seuraavat asiat:

- Noudata aina tämän käyttöohjeen ohjeita. Virheellinen asennus voi vaikuttaa vakavasti lapsesi turvallisuuteen. Jos epäilet, ota yhteyttä jälleenmyyjään, joka voi osoittaa oikean asennustavan.
- Säilytä tämä ohjekirja myöhempiä käyttöä varten. Jos käyttöohje katoaa, löydät sen verkosta osoitteesta www.axkid.com
- Älä käytä turvaistuinta istuinpaikalla, jossa on aktiivinen etuturvatyyny. Jos kuitenkin haluat asentaa istuimen tälle paikalle, turvatyyny on kytkettävä pois päältä ajoneuvon valmistajan ohjeiden mukaan.
- Turvaistuin on aina vaihdettava uuteen mahdollisen auto-onnettomuuden sattuessa, vaikka onnettomuus olisikin pieni. Siinä voi olla näkymättömiä vaurioita, jotka voivat vaikuttaa vakavasti lapsesi turvallisuuteen. Tästä syystä Axkid ei suosittele käytettyjen turvaistuinten ostamista.
- Jos turvaistuin on altistunut suoralle auringonvalolle, varmista ennen lapsen asettamista turvaistuimeen, ettei se ole liian kuuma.
- Älä koskaan jätä lastasi ilman valvontaa ajoneuvoon.
- Varmista, että kaikki matkatavarat tai irtoesineet ovat kiinnitettyinä autossa, sillä ne voivat aiheuttaa onnettomuustilanteessa vammoja matkustajille.
- Varmista, että turvaistuin on kiinnitetty siten, että mitkään osat eivät jää kiinni siirrettävien istuinten alle, oven väliin jne.
- Älä yritä purkaa tai muokata mitään turvaistuimen osaa. Tämä voi vaikuttaa Axkid-turvaistuimen takuuseen ja turvallisuuteen.
- Älä koskaan käytä turvaistuinta ilman tekstiilipäällistä. Istuimen tekstiilipäällinen on turvaominaisuus, ja sen saa korvata vain alkuperäisellä Axkid-istuimen tekstiilipäällisellä.
- Katso tälle turvaistuimelle sopivat istuinpaikat ajoneuvon käsikirjasta ja ajoneuvoluettelosta osoitteessa www.axkid.com.
- Axkid suosittelee, että käytät aina istuinsuojia autosi istuimien suojaamiseksi naarmuilta ja lialta.
- Jos sinulla on kysyttävää, ota yhteyttä turvaistuimen ostopaikkaan tai lähetä sähköpostia osoitteeseen info@axkid.com.
- Tämä turvaistuin voidaan asentaa vain selkä menosuuntaan.
- Varmista aina, että valjaat on säädetty sopimaan oikein lapsesi vartaloon. Valjaita voidaan säätää liikuttamalla pääntukea.
- Varmista, että lapsen selkä on painautuneena turvaistuinta vasten, kun kiinnität lapsesi valjailta.
- Varmista aina, että valjaat on kiristetty tiukasti lastasi vasten ja että solki on täysin lukittu. Väiden kokoonpuristaminen ei saa olla mahdollista.
- Varmista, että valjaat eivät ole kiertyneet.
- Varmista aina, että tukijalka on oikeassa asennossa ja että se koskettaa ajoneuvon lattiaan. Tukijalka on istuimessa erittäin tärkeä turvaominaisuus, ja se on suunniteltu nimenomaan lapsesi turvallisuutta ajatellen.

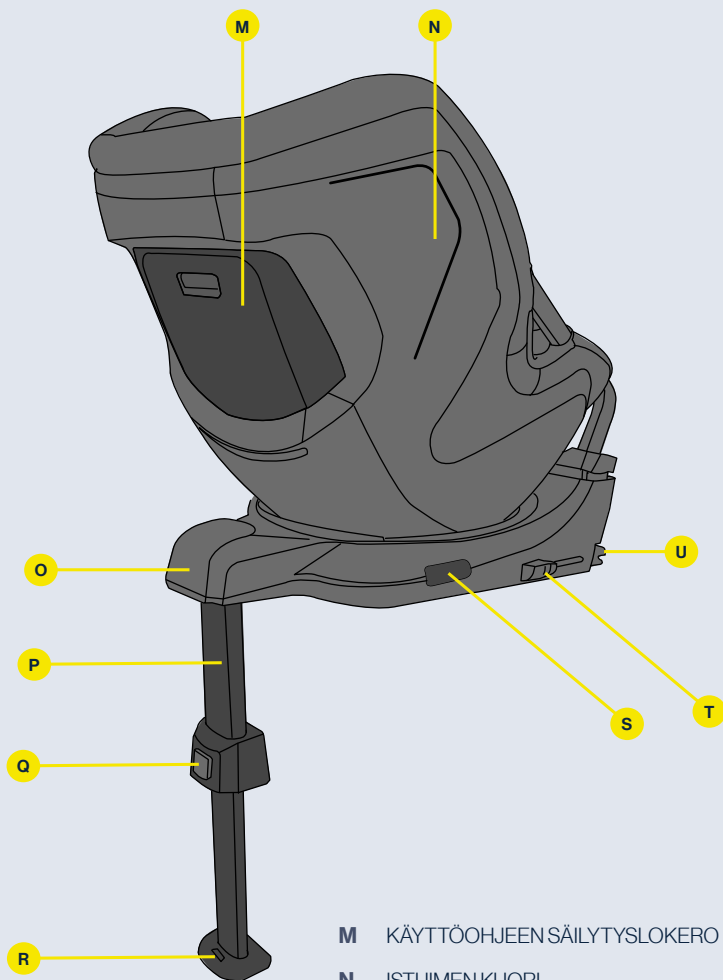
Sisällysluettelo

Osat	82
Axkid SPINKID 2 -turvaistuimen sallittu ja kielletty sijoittaminen	84
Axkid SPINKID 2 -turvaistuimen asentaminen ajoneuvoon	85
Lapsen kiinnittäminen Axkid SPINKID 2 -turvaistuimeen	86
Istuimen säädöt	87
Axkid SPINKID 2 -turvaistuimen irrottaminen ajoneuvosta	87
Hoito-ohjeet	88
Takuu	89

Osat



- A PÄÄNTUENSÄÄTÖPAINIKE
- B SILMIENKORKEUDENILMAISIN
- C PÄÄNTUKI
- D PIENENNYSTYNYNY (≤ 75 CM)
- E OLKAPHEMUSTEET
- F OLKAVYÖT
- G SOLJEN VAPAUTUSPAINIKE
- H ETUTUKIRAUTA
- I ETUTUKIRAUDAN VAPAUTUSPAINIKE
- J VALJAIDEN KIRISTYSHIHNA
- K VALJAIDEN VAPAUTUSPAINIKE
- L KALLISTUKSEN SÄÄTÖVIPU



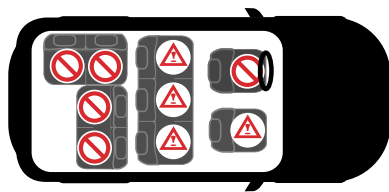
- M** KÄYTTÖOHJEEN SÄILYTYSLOKERO
- N** ISTUIMEN KUORI
- O** ISTUINOSA
- P** TUKIJALKA
- Q** TUKIJALAN PAINIKE
- R** TUKIJALAN ILMAISIN
- S** KIERTOPAINIKE
- T** ISOFIX-PAINIKE ILMAISIMELLA
- U** ISOFIX-KIINNIKKEET



Axkid SPINKID 2 -turvaistuimen sallittu ja kielletty sijoittaminen

Axkid SPINKID 2 -turvaistuin voidaan asentaa selkä menosuuntaan ISOFIX-kiinnitysjärjestelmää käyttäen. Se on hyväksytty käytettäväksi kaikissa i-Size-istuinpaikoissa, mutta se saattaa sopia myös muihin kuin i-Size-hyväksytyihin ISOFIX-istuinpaikkoihin. Tarkista sopivat istuinpaikat ajoneuvosi käyttöohjekirjasta ja tarkista ajoneuvoluettelo osoitteessa www.axkid.com

Asennus etuistuimelle ISOFIX-kiinnitysjärjestelmällä (ei aktiivista turvatyynyä)	KYLLÄ/EI*
Asennus etuistuimelle ISOFIX-kiinnitysjärjestelmällä (aktiivinen turvatyyny)	EI
Asennus takaistuimelle ISOFIX-kiinnitysjärjestelmällä	KYLLÄ
Asennus sivuttain ja selkä menosuuntaan asennetuille istuimille ISOFIX-kiinnitysjärjestelmällä	EI
Asennus istuimelle, jossa ei ole ISOFIX-kiinnitysjärjestelmää	EI



TÄRKEÄÄ: Jos haluat asentaa Axkid SPINKID 2 -turvaistuimen paikkaan, jossa on turvatyyny, turvatyynyn tulee olla kytketty pois päältä ajoneuvon valmistajan ohjeiden mukaan. Huomaa, että joissakin ajoneuvoissa valtuutetun huoltoliikkeen on kytkettävä turvatyyny pois toiminnasta.

* Espanjan yleisen liikennesäännön 117 artiklassa kielletään poikkeuksetta ajoneuvolla ajaminen enintään 135 cm:n pituisten lasten kanssa ajoneuvon etuistuimilla.



Älä koskaan asenna turvaistuinta istuimelle, jossa on aktiivinen turvatyyny.





Axkid SPINKID 2 -turvaistuimen asentaminen ajoneuvoon

1

Taita tukijalka (P) alas.

2

Vapauta etutukirauta (H) vapautuspainikkeella (I) ja taita etutukirauta istuinta kohti.

3

Paina ISOFIX-painikkeita (T) ja pidennä ISOFIX-kiinnikkeet (U) niiden ääriasentoon.

4

Tartu etutukirautaan (H) ja istuinosaan (O) toisella kädellä ja nosta Axkid SPINKID 2 -turvaistuin ajoneuvoosi. Työnnä ISOFIX-kiinnikkeet (U) ajoneuvon ISOFIX-kiinnityspisteisiin, kunnes kuulet napsahduksen ja ISOFIX-painikkeen ilmaisimet (T) muuttuvat vihreiksi. Vapauta etutukirauta (H) vapautuspainikkeella (I) ja taita etutukirauta ajoneuvon istuinta kohti. Työnnä turvaistuin mahdollisimman lähelle ajoneuvon istuinta. Etutukiraudan (H) tulisi olla tiukasti painettuna ajoneuvon istuinta vasten.

5

Nosta turvaistuinta ylöspäin ja paina tukijalan painiketta (Q). Paina tukijalkaa (P) alaspäin, kunnes se koskettaa ajoneuvon lattiaa. Vapauta tukijalan painike (Q) ja pidennä tukijalkaa, (R) kunnes kuulet napsahduksen. Tukijalan (P) pitäisi nyt olla lukittuna ja tiukasti ajoneuvon lattiaa vasten.

Huomaa: Tukijalassa on näkyvä ilmaisim (R), joka muuttuu vihreäksi, kun tukijalka painetaan tiukasti lattiaa vasten. Tämä osoittaa oikean asennuksen.



Lapsen kiinnittäminen Axxkid SPINKID 2 turvaistuimeen

Ennen kuin kiinnität lapsesi Axxkid SPINKID 2 -turvaistuimeen, varmista, että istuimeen on asennettu oikea pienennystyyppi. Axxkid SPINKID 2 on suunniteltu kasvamaan lapsesi mukana ja varmistamaan lapselle mukava ja turvallinen istuvuus. Axxkid suosittelee pienennystyyppien käyttöä, kunnes se on liian tiukka lapsellesi, mutta kuitenkin alla olevan taulukon mukaiseen vähimmäispituuteen asti (huomaa, että ikä on vain ohjeellinen):

Ikä	Pituus	
Vauva 0-1 vuotta	40–75 cm	
Taapero 1-4 vuotta	76–105 cm	Ei pienennystyyppiä

6

Paina kiertopainiketta (S). Kierrä turvaistuinta, kunnes se lukittuu ääriasentoonsa.

7

Löysää valjaita painamalla valjaiden vapautuspainiketta (K) ja vedä molemmat olkavyöt (F) ulos samanaikaisesti.
Huomaa: Vältä vetämisestä vain yhdestä vyöstä kerrallaan, koska se voi saada olkavyöt epätasapainoon.

8

Avaa valjaiden solki painamalla soljen vapautuspainiketta (G) ja kiinnitä soljen liittimet istuimen reunassa olevien magneettien päälle.

9

Vedä pääntuen säätöpainiketta (A) ja liu`uta pääntukea ylös- tai alaspäin, kunnes silmien korkeuden ilmaisimet (B) ovat samalla tasolla lapsesi silmien kanssa.
Huomaa: silmien korkeuden ilmaisimia (B) ei tule käyttää silloin, kun käytetään pienennystyyppiä. Varmista aina, että pääntuki on alimmassa asennossa, kun SPINKID 2-turvaistuin on vauvan käytössä.

10

Aseta lapsi istuimelle ja aseta olkavyöt (F) lapsen olkapäiden yli. Lukitse valjaat asettamalla ensin olkavöihin (F) kiinnitteyt soljen osat yhteen ja työntämällä ne sitten solkeen, kunnes kuulet napsahduksen.

11

Tarkista, että olkavyöt (F) kulkevat istuimen läpi suoraan lapsesi olkapäiden korkeudelta tai enintään 1 cm niiden yläpuolelta. Saatat joutua säätämään pääntukea (C) uudelleen, vaikka se saisi silmien korkeuden ilmaisimen poikkeamaan lapsen silmien linjasta. Kiristä sen jälkeen valjaat lapsesi lantion yli vetämällä olkavöistä (F). Pidä samalla jännitystä olkavöissä (F), vedä valjaiden kiristysihhnasta (J), kunnes valjaat ovat riittävän kireällä. Olkavöiden (F) ja lapsesi hartioiden väliin ei pitäisi mahtua enempää kuin yksi sormi.



Istuimen säätö

Kun Axkid SPINKID 2 -turvaistuin on asennettu ajoneuvoosi, voit helposti säätää istuimen kallistuskulmaa. Voit tehdä sen myös silloin, kun lapsesi on kiinni turvaistuimessa.

12

Vedä kallistuksen säätövipua (L) säätääksesi istuimen yhteen neljästä kiinteästä asennosta.

13

Kun lapsi on kiinnitetty tukevasti istuimeen, paina kiertopainiketta (S) ja käännä turvaistuinta, kunnes se lukittuu selkä menosuuntaan.



Axkid SPINKID 2 -turvaistuimen irrottaminen ajoneuvosta

14

Nosta turvaistuinta ylöspäin ja paina tukijalan painiketta (Q). Paina tukijalka (P) kokoon.

15

Paina etutukiraudan vapautuspainiketta (I) ja taita etutukirauta (H) istuinta kohti istuimeen kohdistuvan jännityksen vapauttamiseksi.

16

Irrota ISOFIX-kiinnikkeet (U) painamalla ISOFIX-painikkeita (T) alaspäin ja liu`uta niitä sitten taaksepäin, pois päin ajoneuvon istuimesta. Tartu etutukirautaan (H) ja istuinosaan (O) toisella kädellä ja nosta Axkid SPINKID 2 -turvaistuin ulos ajoneuvostasi. Paina ISOFIX-painikkeita (T) ja vedä ISOFIX-kiinnikkeet (U) niiden sisimpään asentoon.

Hoito-ohjeet

Istuimen tekstiilipäällinen kestää konepesun 30 °C:ssä hellävaraisella pesuohjelmalla. Älä laita päällistä kuivausrumpuun, koska se saattaa vahingoittaa päällistä ja pehmuste saattaa irrota kankaasta. Sivulla www.axkid.com on videoita, joissa on ohjeet päällisen irrottamiseen ja asentamiseen.

Tekstiilipäällisen poistaminen:

- Löysää valjaita painamalla valjaiden vapautuspainiketta (K) ja vedä molemmat olkavyöt (F) ulos samanaikaisesti.
- Vedä päällinen varovasti pois pääntuesta (C).
- Laske pääntuki (C) alimpaan asentoon.
- Avaa valjaiden solki painamalla soljen vapautuspainiketta (G) ja irrota soljen suojus.
- Avaa selkänöjan neljä nappia turvaistuimen sisäpuolelta ja poista tekstiilipäällinen varovasti turvaistuimesta. Ole varovainen muovipäällisten kanssa, jotta vahingoita tekstiiliä. Älä vedä liian kovaa.
- Avaa olkapehmusteet (E) ja poista ne varovasti tarranauhasta.

Tekstiilipäällisen asentaminen

- Asenna tekstiilipäällinen takaisin turvaistuimeen edellä oleviin ohjeisiin nähden päinvastaisessa järjestyksessä.
- Huomaa, että olkapehmusteet voidaan asentaa eri kohtiin. Asenna ne lapsellesi sopivaan asentoon. Olkapehmusteet tulee sijoittaa lapsesi olkapään päälle ja rinnalle. Varmista myös, että olkapehmusteen kumipuoli on lapsesi rintakehää kohti.

Jos istuimen tekstiilipäällinen on vaihdettava, varmista, että siihen käytetään ainoastaan Axkidin alkuperäisiä tuotteita. Muiden tuotteiden käyttö saattaa vaarantaa Axkid-turvajärjestelmän turvallisuuden, mikä voi puolestaan johtaa vakavaan vammaan onnettomuuden sattuessa. Axkidin muoviosat voi puhdistaa miedolla puhdistusaineella ja vedellä. Älä käytä voimakkaita kemikaaleja sisältäviä pesuaineita tai vastaavia, koska ne saattavat vahingoittaa muovija vaarantaa turvaistuimen turvallisuuden.

Turvaistuimen kierrätys



Axkid suosittelee vahvasti kierrättämään vanhat turvaistuimet. Ennen kuin viet istuimen paikalliselle kierrätysasemalle, katkaise valjaiden hinnat istuimesta, poista tekstiilipäällinen, poista mahdollisimman monta styroksiosaa ja erota metalli- ja muoviosat, jos mahdollista. Istuimen runko-osa on merkittävä vaaralliseksi tai vanhentuneeksi (käytä tussia), jotta kukaan ei voi käyttää sitä uudelleen. Tarkista paikalliset kunnan ohjeet eri materiaalien kierrätysohjeista.

Takuu

Axkid-turvaistuimella on 24 kuukauden takuu ostopäivästä alkaen. Säilytä ostokuitti ja ota se mukaan ostopaikkaan, jos sinulla on ongelmia, joita takuu ei kata.

- Normaalaa kulumista.
- Vahinkoa, joka on aiheutunut virheellisestä käytöstä, laiminlyönnistä tai onnettomuudesta.
- Jos kolmas osapuoli on tehnyt istuimeen korjauksia.
- Kaikki istuimessa käytetyt materiaalit kestävät erittäin hyvin UV-säteilyä. UV-säteily on kuitenkin erittäin voimakasta ja johtaa lopulta päällyskankaan haalistumiseen. Takuu ei kata tällaista kulumista, koska sitä pidetään normaalina kulumisena.
- Käsittele istuinta varoen. Älä koskaan kannista istuinta pitämällä kiinni pääntuesta.

Благодарим Ви, че избрахте детско столче Axkid SPINKID 2

Прочетете това ръководство с указания, преди да монтирате детско столче във вашия автомобил.
За повече информация и видеоклипове за монтаж посетете www.axkid.com.

Axkid SPINKID 2 е столче за кола, обърнато назад, одобрено за деца с ръст между 40-105 см, ≤18 кг.

Това е усъвършенствана система за обезопасяване на деца i-Size. Тя е одобрена в съответствие с Правило No 129 на ООН за използване в съвместими с i-Size места за сядане в превозното средство, както е посочено в ръководството за потребителя на автомобила от производителите на автомобила. Ако имате съмнения, допитайте се или до производителя на усъвършенстваната система за обезопасяване на деца (www.axkid.com), или до търговеца на дребно.

Важна информация

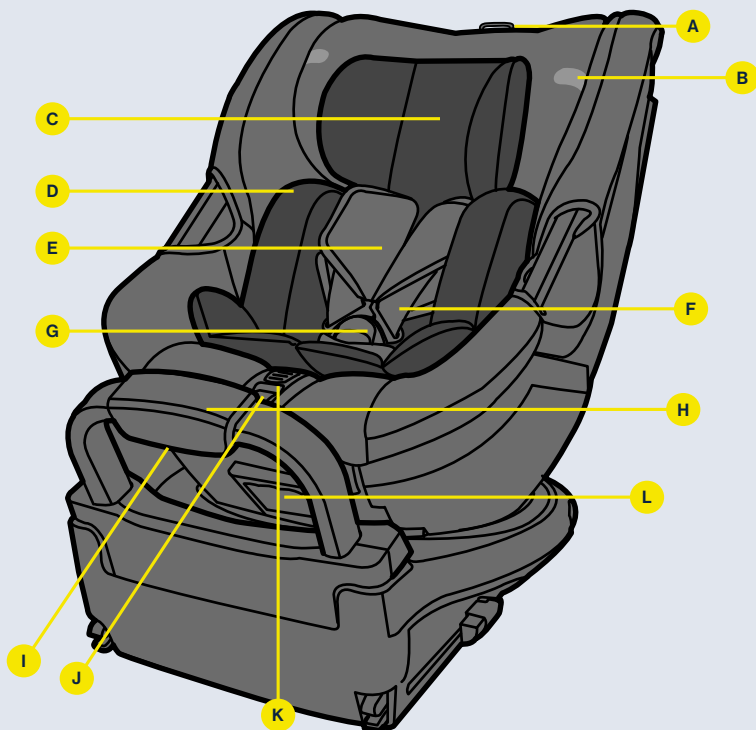
За да увеличите максимално безопасността на детето си, е важно да не забравяте следното:

- Винаги следвайте указанията в това ръководство. Неправилният монтаж може сериозно да засегне безопасността на вашето дете. Ако имате съмнения, се свържете с вашия търговец на дребно, който може да покаже правилен монтаж.
- Запазете това ръководство с указания за бъдещи справки. Ако ръководството бъде загубено, можете да го намерите онлайн на www.axkid.com
- Не използвайте детското столче на място за сядане, където е монтирана активна предна въздушна възглавница. Ако все пак желаете да монтирате детското столче на това място, въздушната възглавница трябва да се изключи съгласно указанията на производителя на автомобила.
- Ако претърпите пътнотранспортно произшествие, без значение колко е леко, столчето за кола винаги трябва да бъде сменено. Поради тази причина Axkid не препоръчва закупуването на столчета за кола втора употреба.
- Ако детското столче е било изложена на пряка слънчева светлина, се уверете, че детското столче не е твърде горещо, преди да поставите детето си.
- Никога не оставяйте детето си без надзор в превозното средство.
- Уверете се, че всички багажи или свободни предмети в автомобила ви са обезопасени, тъй като те могат да причинят наранявания на пътниците в случай на произшествие.
- Уверете се, че детското столче е монтирано по начин, при който нито една част не се заклепва от подвижни седалки, врати на автомобила и т.н.
- Не се опитвайте да разглобявате или промените която и да е част от детското столче. Гаранцията и показателите за безопасност на детското столче Axkid могат да бъдат засегнати, ако това се случи.
- Никога не използвайте детското столче без текстилния калъф. Текстилният калъф на столчето е функция за безопасност и може да бъде заменен само с оригинален текстилен калъф за столче Axkid.
- Прочетете ръководството на превозното средство и списъка на превозните средства на адрес www.axkid.com, за да откриете кои места за сядане са подходящи за това столче за кола.
- Axkid препоръчва винаги да използвате предпазител за седалки, за да предпазите седалката на автомобила от драскотини и замърсявания.
- Ако имате някакви съмнения, свържете се с търговеца на дребно, от който е закупено столчето за кола, или се свържете с info@axkid.com.
- Детското столче може да се монтира само обърнато назад.
- Винаги се уверявайте, че коланите са регулирани така, че да прилягат правилно на тялото на детето ви. Коланите се регулират чрез преместване на опората за глава.
- Уверете се, че гърбът на детето е притиснат към столчето за кола, когато обезопасявате детето си с коланите.
- Винаги се уверявайте, че коланите са здраво обтегнати по детето ви и че токата е напълно заключена, не трябва да можете да захванете лентите.
- Уверете се, че коланите не са усукани.
- Винаги се уверявайте, че опорният крак е в правилното си положение и че опира в пода на автомобила. Опорният крак е много важна функция за безопасност, предназначена да увеличи максимално безопасността на детето ви при произшествие.

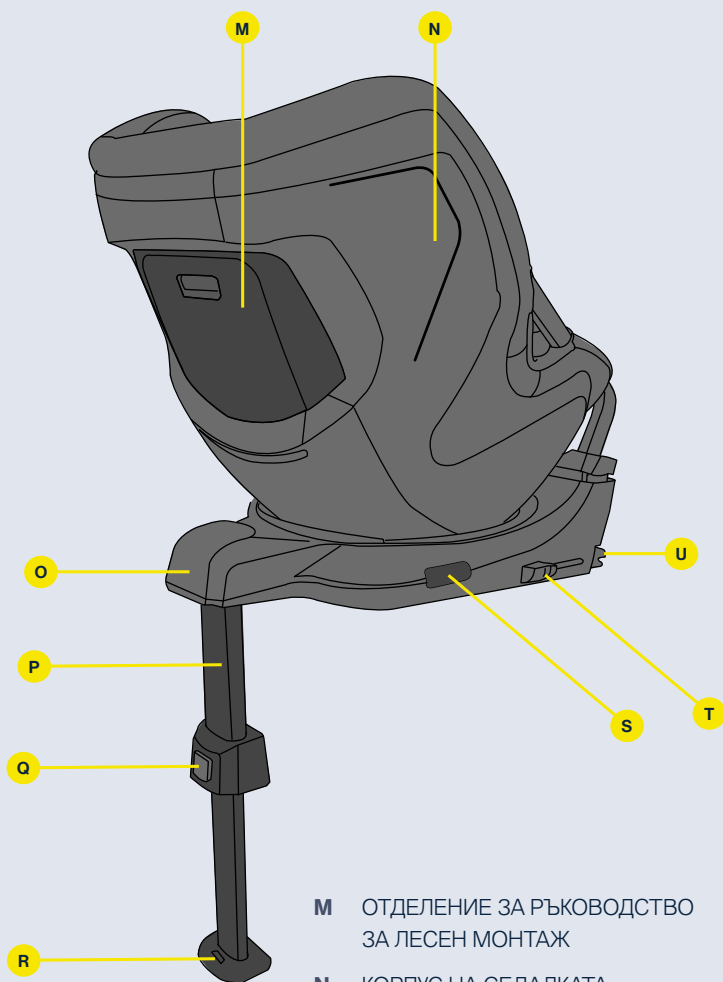
Съдържание

Части	92
Разрешено и забранено поставяне на столчето за автомобил Axkid SPINKID 2	94
Монтиране на столчето за кола Axkid SPINKID 2 в автомобила	95
Обезопасяване на детето в столчето за кола Axkid SPINKID 2	96
Регулирания на столчето	97
Демонтиране на столчето за кола Axkid SPINKID 2 от автомобила	97
Грижа и поддръжка	98
Гаранция	99

Части



- A БУТОН ЗА РЕГУЛИРАНЕ НА ОБЛЕГАЛКАТА ЗА ГЛАВА
- B ИНДИКАТОР ЗА НИВО НА ОЧИТЕ
- C ОБЛЕГАЛКА ЗА ГЛАВА
- D ВЛОЖКА ЗА БЕБЕ (≤ 75 CM)
- E РАМЕННИ ПОДПЪЛЪНКИ
- F ПРЕЗРАМКИ
- G БУТОН ЗА ОСВОБОЖДАВАНЕ НА ЗАКОПЧАЛКАТА
- H ПРЕДНА СКОБА
- I БУТОН ЗА ОСВОБОЖДАВАНЕ НА ПРЕДНАТА СКОБА
- J КОЛАН ЗА ОБТЯГАНЕ НА ОБЕЗОПАСИТЕЛНАТА СИСТЕМА
- K БУТОН ЗА ОСВОБОЖДАВАНЕ НА ОБЕЗОПАСИТЕЛНАТА СИСТЕМА
- L ЛОСТ ЗА РЕГУЛИРАНЕ НА НАКЛОНА



M ОТДЕЛЕНИЕ ЗА РЪКОВОДСТВО
ЗА ЛЕСЕН МОНТАЖ

N КОРПУС НА СЕДАЛКАТА

O ОСНОВА НА СЕДАЛКАТА

P ОПОРЕН КРАК

Q БУТОН НА ОПОРНИЯ КРАК

R ИНДИКАТОР НА ОПОРНИЯ КРАК

S БУТОН ЗА ЗАВЪРТАНЕ

T БУТОН ISOFIX С ИНДИКАТОР

U СЪЕДИНИТЕЛИ ISOFIX

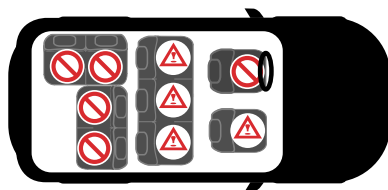


Разрешено и забранено поставяне на столчето за автомобил Axkid SPINKID 2

Столчето за кола Axkid SPINKID 2 може да се монтира само в посока обратна на движението, използвайки ISOFIX. То е одобрено за използване във всички одобрени места за сядане i-Size, но може да пасне и в други места за сядане ISOFIX, които не са одобрени i-Size. Проверете ръководството за експлоатация на вашия автомобил, за да откриете подходящи места за сядане

и проверете списъка на автомобилите на www.axkid.com

Предна пътническа седалка с ISOFIX (без активна въздушна възглавница)	ДА/НЕ*
Предна пътническа седалка с ISOFIX (с активна въздушна възглавница)	НЕ
Задна пътническа седалка с ISOFIX	ДА
Обърнати настрани и назад седалки	НЕ
Седалки без ISOFIX	НЕ



ВАЖНО: Ако желаете да монтирате вашето детско столче Axkid SPINKID 2 на място, където е монтирана предна въздушна възглавница, въздушната възглавница трябва да бъде изключена съгласно ръководството от производителя на автомобила ви. Имайте предвид, че за изключването на въздушната възглавница на някои автомобили се изисква упълномощен сервизен център.

* Общият правилник за движение по пътищата в Испания, в своя член 117, установява забрана за шофиране с деца с ръст, равен или по-малък от 135 сантиметра, разположени на предните седалки на автомобила, без изключения.



Никога не монтирайте системата за обезопасяване на деца на пътническа седалка, където е монтирана активна въздушна възглавница.





Монтиране на столчето за кола Axkid SPINKID 2 в автомобила

1

Разгънете надолу опорния крак (P).

2

Освободете предната скоба (H) с бутона за освобождаване (I) и сгънете предната скоба към столчето.

3

Натиснете бутоните ISOFIX (T) и разширете съединителите ISOFIX (U) в най-външните им положения.

4

Хванете предната скоба (H) и основата на седалката (O) с другата ръка и повдигнете столчето за кола Axkid SPINKID 2 във вашия автомобил. Натиснете съединителите ISOFIX (U) в точките на свързване ISOFIX в автомобила, докато не чуete щракване и индикаторите на бутона ISOFIX (T) станат зелени. Освободете предната скоба (H) с бутона за освобождаване (I) и сгънете предната скоба към седалката на автомобила. Натиснете столчето за кола възможно най-навътре към седалката на автомобила. Предната скоба (H) трябва да бъде здраво притисната към седалката на автомобила.

5


Повдигнете столчето за кола нагоре и натиснете бутона за опорния крак (Q). Издърпайте опорния крак (P) надолу, докато опре в пода на автомобила. Отпуснете бутона на опорния крак (M) и удължете допълнително опорния крак (R), докато чуete щракване. Опорният крак (P) сега трябва да бъде заключен и здраво притиснат към пода на превозното средство.

Забележка: Опорният крак е оборудван с нагледен индикатор (R), който ще стане зелен, когато опорният крак е здраво притиснат към пода, което показва правилен монтаж.



Обезопасяване на детето в столчето за кола Axkid SPINKID 2

Преди да обезопасите детето си в детското столче Axkid SPINKID 2, се уверете, че в столчето е монтирана правилната подплата. AXKID SPINKID 2 е проектирано да расте заедно с вашето дете и да осигури удобно и безопасно прилягане за детето. Axkid препоръчва използването на вложката, докато не стане прекалено стегната за вашето дете, но до минимална дължина съгласно таблицата по-долу (имайте предвид, че възрастта е само за справка):

Възраст	Ръст	
Бебе 0-1 години	40 – 75 cm	
Малко дете 1-4 години	76 – 105 cm	Без вложка

6

Натиснете бутона за завъртане (S). Завъртете детското столче, докато се заключи в най-външното си положение.

7

Разкопчайте системата за обезопасяване, натискайки бутона за освобождаване на системата (K) и издърпайте едновременно двете презрамки (F) навън. Забележка: Избягвайте да дърпате само една каишка наведнъж, тъй като това може да доведе до неравномерна дължина на презрамките.

8

Отключете закопчалката, натискайки бутона за освобождаване на закопчалката (G) и закрепете съединителите на закопчалката върху магнитите, разположени на обръча на седалката.

9

Издърпайте бутона за регулиране на облегалката за глава (A) и плъзнете облегалката за глава нагоре или надолу, докато индикаторите за ниво на очите (B) са изравнени с очите на детето ви. Забележка: индикаторите за ниво на очите (B) не трябва да се използват, когато се използва вложката за бебета. Винаги се уверявайте, че облегалката за глава е в най-ниското положение, когато използвате SPINKID 2 за бебета.

10

Поставете детето си в столчето и поставете презрамките (F) на раменете на детето. Заключете обезопасителната система от колани, първо поставяйки частите на заключалката, която е прикрепена към презрамките (F) заедно, и след това ги натиснете в заключалката, докато чуете щракване.

11

Проверете дали презрамките (F) преминават през столчето точно от раменете на детето или максимум 1 см над него. Може да се наложи да регулирате облегалката за глава (C) отново, дори ако това кара индикатора за ниво на очите да излезе от линията на очите на детето ви. Сега издърпайте презрамките (F), за да затегнете обезопасителната система от колани над бедрата на детето си. Докато поддържате обтягането на презрамките (F), издърпайте каишката за обтягане на обезопасителната система (J), докато обезопасителната система се обтегне достатъчно. Не трябва да можете да пъхнете повече от един пръст между презрамките (F) и раменете на детето си.



Регулиране на столчето

След като столчето за кола Axkid SPINKID 2 е монтирано във вашия автомобил, можете лесно да регулирате наклоненото положение за вашето дете. Това може да се направи и докато детето ви е обезопасено в столчето за кола.

12

Издърпайте лоста за регулиране на наклона (L), за да регулирате столчето в едно от четирите застопорени положения.

13

След като детето е сигурно закопчано в столчето, натиснете бутона за завъртане (S) и завъртете детското столче, докато се заключи в обърнато назад положение.



Демонтиране на столчето за кола Axkid SPINKID 2 от автомобила ви

14

Повдигнете столчето за кола нагоре и натиснете бутона за опорния крак (Q). Свийте опорния крак (P) до най-късото му положение.

15

Натиснете бутона за освобождаване (I) на предната скоба (H) и сгънете предната скоба към столчето, за да освободите напрежението към седалката на автомобила.

16

Освободете съединители ISOFIX (U), натискайки бутоните ISOFIX (T) и след това ги плъзнете назад, далеч от седалката на автомобила. Хванете предната скоба (H) и основата на седалката (O) с другата ръка и извадете столчето за кола Axkid SPINKID 2 от вашия автомобил. Натиснете бутоните ISOFIX (T) и приберете съединителите ISOFIX (U) в най-вътрешните им положения.

Грижа и поддръжка

Текстилният калъф на столчето може да се пере в машина на 30°C при лек цикъл. Не поставяйте калъфа в сушилня, тъй като това може да повреди калъфа и подплатата може да се отдели от тъканта.

Посетете www.axkid.com, за да намерите видеоклипове, обясняващи как да премахнете и поставите калъфа.

Махане на текстилния калъф:

- Разкопчайте системата за обезопасяване, натискайки бутона за освобождаване на системата (K) и издърпайте едновременно двете презрамки (F) навън.
- Внимателно издърпайте калъфа от облегалката за глава (C).
- Спуснете облегалката за глава (C) в най-ниското положение.
- Отключете ключалката на системата за обезопасяване, натискайки бутона за освобождаване на закопчалката (G) и махнете капачето на закопчалката.
- Разкопчайте четирите копчета на облегалката от вътрешната страна на столчето за кола и внимателно свалете текстилния калъф от столчето за кола. Внимавайте около пластмасовите капаци, за да не повредите на текстила. Не дърпайте твърде силно.
- Отворете подплънките (E) на презрамките и внимателно ги махнете от велкрито.

Поставяне на текстилния калъф

- Изпълнете стъпките от указанията по-горе в обратен ред, за да монтирате текстилния калъф на столчето за кола обратно.
- Имайте предвид, че подложките на презрамките могат да бъдат монтирани в различни положения. Монтирайте ги в положение, подходящо за вашето дете, подложките на презрамките трябва да бъдат разположени върху рамото и гърдите на вашето дете. Също така се уверете, че гумената страна на подложките на презрамките е обърната към гърдите на детето ви.

Ако текстилният калъф на столчето се нуждае от смяна, се уверете, че използвате само оригинални продукти от Axkid. Ако използвате други продукти, системата за безопасност на столчето за кола Axkid може да бъде нарушена и да доведе до тежки наранявания в случай на пътнотранспортно произшествие.

Всички пластмасови части на столчето за кола Axkid могат да се почистват с мек почистващ препарат и вода. Не използвайте агресивни химикали, съдържащи разтворители или подобни, тъй като това може да повреди пластмасата и да наруши безопасността на столчето за кола.

Рециклиране на вашето столче за кола



Axkid силно препоръчва рециклирането на стари столчета за кола. Преди да оставите столчето в местната станция за рециклиране, отрежете ремъците на системата за обезопасяване от столчето, свалете текстилния калъф, отстранете колкото се може повече части от стиропор, отделете металните и пластмасовите части, ако е възможно. Главната част от столчето трябва да бъде обозначена като опасна или с изтекъл срок на годност (използвайте маркер), за да възпреите някой да я използва отново. Моля, проверете местните общински насоки за указания за рециклиране на различните материали.

Гаранция

Столчето за кола Axkid се покрива от 24-месечна гаранция от датата на закупуване. Уверете се, че сте запазили касовата си бележка и я занесете на мястото на покупка, ако имате някакви гаранционни проблеми, които не са покрити от гаранцията.

- Нормално износване.
- Повреда поради неправилна употреба, небрежност или злополука.
- Ако ремонти дейности са били извършени от трета страна.
- Всички използвани материали имат много висока UV-устойчивост. UV-светлината обаче е много агресивна и в крайна сметка ще доведе до избледняване на калъфа на седалката. Това не се покрива от нашата гаранция, тъй като се счита за нормално износване.
- Работете със столчето внимателно. Никога не носете столчето, държейки го за облегалката за глава.

Dziękujemy za wybranie AXKID SPINKID 2

Przeczytaj tę instrukcję przed instalacją fotelika w swoim samochodzie.
Po więcej informacji i filmy instruktażowe zapraszamy na axkid.com/pl

Axkid SPINKID 2 to fotelik samochodowy montowany tyłem do kierunku jazdy dla dzieci od 40 do 105cm i 18kg.

Jest to i-Size Enhanced Child Restraint System. Został zatwierdzony zgodnie z UN Regulation No. 129 do stosowania na miejscach siedzących w pojeździe zgodnych z i-Size, zgodnie ze wskazaniami producentów pojazdów w instrukcji obsługi pojazdu. W razie wątpliwości należy skonsultować się z producentem ulepszonego urządzenia przytrzymującego dla dzieci (www.axkid.com) lub ze sprzedawcą.

Ważne informacje

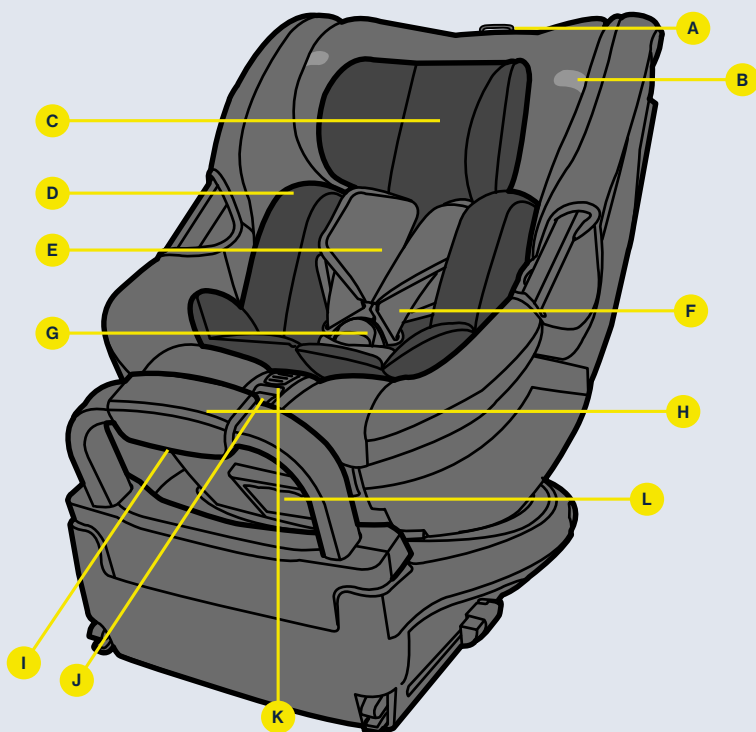
Aby zapewnić dziecku maksymalne bezpieczeństwo zastosuj się do poniższych wskazówek:

- Zawsze postępuj zgodnie z poniższą instrukcją obsługi. Błędny montaż fotelika może narazić życie i zdrowie twojego dziecka. W razie wątpliwości skontaktuj się ze swoim sprzedawcą.
- Zachowaj tę instrukcję obsługi, w razie zgubienia znajdziesz ją w formie cyfrowej na axkid.com/pl
- Nie instaluj tego fotelika na siedzeniu pasażera wyposażonego w aktywną poduszkę powietrzną. Jeśli chcesz zamontować fotelik w tym miejscu upewnij się, że poduszka została dezaktywowana zgodnie z instrukcją producenta pojazdu.
- W razie kolizji lub wypadku, fotelik powinien zostać wymieniony na nowy. Może on posiadać uszkodzenia niewidoczne gołym okiem wpływające negatywnie na bezpieczeństwo dziecka. Z tego powodu Axkid nie rekomenduje zakupu fotelika z drugiej ręki.
- Jeśli fotelik był narażony na działanie mocnych promieni słonecznych przed umieszczeniem z nim dziecka upewnij się, że nie jest on zbyt gorący.
- Nigdy nie zostawiaj dziecka w samochodzie bez opieki.
- Upewnij się, że bagaż i luźne przedmioty w samochodzie są odpowiednio zabezpieczone, gdyż w razie wypadku mogą one grozić zdrowiu i życiu pasażerów.
- Upewnij się, że fotelik jest zamontowany tak aby nie był zakleszczony pomiędzy drzwiami czy fotelami samochodu.
- Nie modyfikuj ani nie demontuj żadnej części fotelika na własną rękę. Może to negatywnie wpłynąć na bezpieczeństwo dziecka i powodować utratę gwarancji.
- Nigdy nie używaj fotelika bez tapicerki. Tapicerka jest integralną częścią systemu bezpieczeństwa fotelika. Tapiczkę można zastąpić wyłącznie oryginalną tapicerką Axkid.
- Przeczytaj instrukcję pojazdu oraz listę dopuszczonych samochodów na www.axkid.com/pl aby dowiedzieć się, które miejsca są odpowiednie do montażu tego fotelika.
- Axkid rekomenduje użycie maty ochronnej pod fotelik aby zabezpieczyć tapicerkę samochodową przed uszkodzeniami i brudem.
- W razie jakichkolwiek wątpliwości skontaktuj się ze swoim sprzedawcą lub napisz wiadomość na info@axkid-polska.pl
- Ten fotelik może być instalowany wyłącznie tyłem do kierunku jazdy.
- Zawsze upewnij się, że uprząż jest dopasowana do ciała dziecka. Uprząż reguluje się ustawiając wysokość zagłówka.
- Upewnij się, że plecy dziecka są przyciśnięte do fotelika samochodowego podczas zapinania dziecka za pomocą uprząży.
- Zawsze upewnij się, że uprząż jest mocno zaciśnięta w stosunku do dziecka i że klamra jest całkowicie zablokowana, nie powinnaś być w stanie uszczypnąć pasów uprząży.
- Upewnij się, że uprząż nie jest skręcona.
- Zawsze upewnij się, że noga podpierająca znajduje się we właściwej pozycji i ma kontakt z podłogą pojazdu. Noga podpierająca jest bardzo ważną funkcją bezpieczeństwa zaprojektowaną w celu zmaksymalizowania bezpieczeństwa dziecka w razie wypadku.

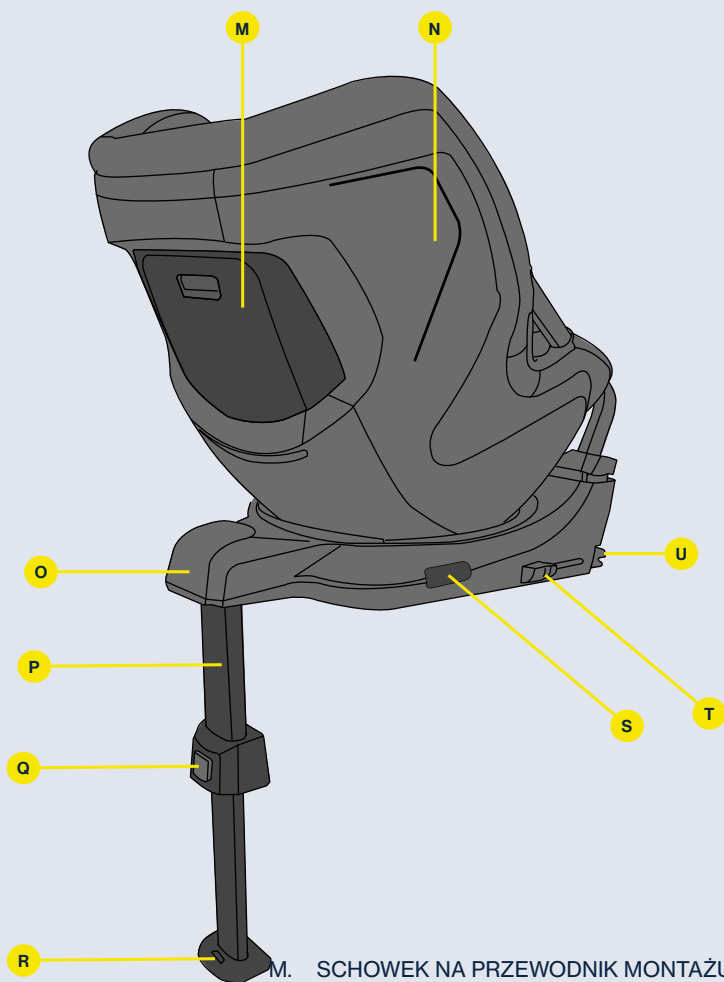
Zawartość

Części	102
Dopuszczalne i niedopuszczalne miejsca montażu	104
Instalacja AXKID SPINKID 2 w samochodzie	105
Zapinanie dziecka w AXKID SPINKID 2	106
Regulacja fotelika	107
Demontaż AXKID SPINKID 2 z auta	107
Pielęgnacja i konserwacja	108
Gwarancja	109

Części



- A. PRZYCISK REGULACJI ZAGŁÓWKA
- B. WSKAŹNIK POZIOMU OKA
- C. ZAGŁÓWEK
- D. WKŁADKA NOWORODKOWA (≤ 75 CM)
- E. OCHRONIACZE BARKOWE
- F. UPRZAŻ NARAMIENNA
- G. PRZYSK ZWOLNIENIA KLAMRY UPRZĘŻY
- H. RAMA ANTYROTACYJNA
- I. PRZYCISK REGULACJI RAMY ANTYROTACYJNEJ
- J. PASEK REGULACJI NAPIĘCIA UPRZĘŻY
- K. PRZYCISK REGULACJI NAPIĘCIA UPRZĘŻY
- L. UCHWYT REGULACJI NACHYLENIA



M. SCHOWEK NA PRZEWODNIK MONTAŻU

N. SKORUPA FOTELIKA

O. PODSTAWA FOTELIKA

P. NOGA PODPIERAJĄCA

Q. PRZYCISK REGULACJI NOGI

R. WSKAŹNIK POPRAWNEGO USTAWNIENIA NOGI

S. PRZYCISK MECHANIZMU OBROTU

T. PRZYCISK REGULACJI ISOFIX ZE WSKAŹNIKIEM

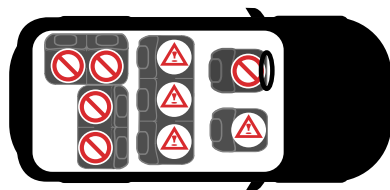
U. ZŁĄCZA ISOFIX



Dopuszczalne i niedopuszczalne miejsca montażu AXKID SPINKID 2

AXKID SPINKID 2 może być instalowany wyłącznie tyłem do kierunku jazdy, na miejscach wyposażonych w ISOFIX. Dopuszczone jest używanie na wszystkich miejscach w aucie zgodnych z i-Size jak również innych. Sprawdź instrukcję swojego pojazdu oraz listę dopuszczonych pojazdów na www.axkid.com/pl aby znaleźć najlepsze dopasowanie

Przednie miejsce pasażera z ISOFIX (dezaktywowana poduszka powietrzna)	TAK/NIE*
Przednie miejsce pasażera z ISOFIX (aktywna poduszka powietrzna)	NIE
Tylne miejsca z ISOFIX	TAK
Miejsca obrócone tyłem i bokiem z ISOFIX	NIE
Miejsca bez ISOFIX	NIE



WAŻNE: Jeśli chcesz zainstalować fotelik AXKID SPINKID 2 na miejscu wyposażonym w poduszkę powietrzną pasażera upewnij się, że została ona dezaktywowana zgodnie z instrukcją producenta auta. Pamiętaj, że niektóre pojazdy wymagają wyłączenia poduszki w autoryzowanym serwisie producenta.

*Hiszpańska Ustawa o ruchu drogowym, pkt 117, zabrania przewożenia na przednim fotelu dzieci niższych niż 135cm



Nigdy nie instaluj fotelika dziecięco na miejscu wyposażonym w aktywną poduszkę powietrzną.





Instalacja AXKID SPINKID 2 w samochodzie

1

Rozłóż nogę podpierającą (P)

2

Ustaw ramę antyrotacyjną (H) za pomocą przycisku (I) w kiedunku oparcia kanapy

3

Naciśnij przyciski regulacji ISOFIX (T) i wysuń złącza isofix (U) z podstawy fotelika

4

Złap ramę antyrotacyjną (H) a drugą ręką podstawę fotelika (O) i umieść AXKID SPINKID 2 w samochodzie. Umocuj złącza ISOFIX (U) do systemu ISOFIX w aucie. Gdy usłyszysz kliknięcie a wskaźniki na przyciskach (T) zmienią kolor na zielony ISOFIX jest zamocowany poprawnie. Dopchnij fotelik do oparcia kanapy tak, aby rama antyrotacyjna (H) ściśle przylegała do oparcia kanapy.


5

Podnieś lekko podstawę fotelika , naciśnij przycisk regulacji nogi (Q) i pociągnij nogę podpierającą (P) w dół aż oprze się solidnie o podłogę samochodu. Puść przycisk regulacji nogi (Q) i w razie potrzeby wydłuż nogę (P) jeszcze bardziej, do montu aż usłyszysz kliknięcie. Noga podpierająca (P) powinna być teraz solidnie oparta o podłogę pojazdu. Uwaga: noga podpierająca jest wyposażona we wskaźnik (R) który zmieni kolor na zielony jeśli noga (P) będzie poprawnie oparta o podłogę.



Zapinanie dziecka w AXKID SPINKID 2

Przed włożeniem dziecka do AXKID SPINKID 2 upewnij się, że poprawnie włożyłeś do fotelika odpowiednie wkładki. AXKID SPINKID 2 jest zaprojektowany tak, aby rosnąć wraz z Twoim dzieckiem i zapewniać komfortowe dopasowanie na lata. Axkid rekomenduje używanie odpowiedniej wkładki aż do momentu, gdy dziecko robi się zbyt ciasno ale minimalnie do wzrostu określonego w tabelce poniżej (wiek jest jedynie wskaźnikiem)

Wiek	Wzrost	
Niemowlak 0-1 lat	40-75cm	
Starszak 1-4 lata	76-105cm	Bez wkładki

6

Naciśnij przycisk obrotu fotelika (S) Obróć fotelik do momentu zablokowania się w najbardziej obróconej pozycji.

7

Poluzuj uprząż naciskając przycisk regulacji uprząży (K) i ciągnąc oba pasy barkowe (F) jednocześnie.
Uwaga: Unikaj ciągnięcia za jeden pas barkowy, może to powodować że pasy barkowe staną się nierównej długości.

8

Rozepnij uprząż naciskając przycisk zwolnienia klamry uprząży (G) i umieść spinki pasów na kmanesach po bokach skorupy fotelika.

9

Pociągnij za przycisk regulacji zagłówka (A) i przesunij zagłówek do góry lub do dołu aż wskaźnik poziomu oka pokryje się z poziomem oczu dziecka.
Uwaga: Wskaźnik poziomu oka (B) nie powinny być brane pod uwagę kiedy dziecko podróżuje z wkładką noworodkową. Zawsze upewnij się, że zagłówek jest w najniższej pozycji w takiej sytuacji.

10

Umieść dziecko w foteliku i załóż pasy barkowe (F) na ramiona dziecka. Zapnij uprząż łącząc najpierw spinki razem i wpinając je w klamrę aż usłyszysz kliknięcie.

11

Sprawdź czy pasy barkowe są ustawione tak aby znajdować się na poziomie ramienia dziecka lub max. 1cm powyżej. Możliwe, że będzie to wymagało ponownego ustawienia zagłówka ©, nawet jeśli będzie to oznaczało, że wskaźnik poziomu oka nie będzie wskazywał oczu dziecka. Teraz pociągnij za pasy barkowe (F) aby naciągnąć uprząż wokół bioder dziecka. Pociągnij pasek regulacji uprząży (J) aż uprząż nie będzie wystarczająco ciasno napięta. Nie powinieneś móc wsunąć między pasy barkowy a ramię dziecka więcej niż jeden palec.



Regulacja fotelika

Po zainstalowaniu AXKID SPINKID 2 masz możliwość łatwej regulacji poziomu nachylenia siedziska, bez potrzeby wyjmowania dziecka.

12

Pociągnij uchwyt regulacji nachylenia(L) aby ustawić fotelik w jednej z czterech pozycji.

13

Po bezpiecznym przypięciu dziecka w foteliku naciśnij przycisk obracania (S) i obróć fotelik, aż zablokuje się w położeniu tyłem do kierunku jazdy.



Demontaż AXKID SPINKID 2 z auta

14

Podnieś lekko podstawę fotelika i naciśnij przycisk regulacji nogi (Q). Skróć nogę (P) to najkrótszej pozycji.

15

Naciśnij przycisk regulacji reamy antyrotacyjnej (I) i złoż ramę (H) w kierunku fotelika aby nie opierała się ściśnię o oparcie kanapy.

16

Rozłącz złącza ISOFIX (U) poprzez naciśnięcie przycisków ISOFIX (T) i odsuń fotelik od oparcia kanapy. Złap ramę antyrotacyjną (H) a drugą ręką podstawę fotelika (O) i usuń AXKID SPINKID 2 z samochodu. Naciśnij przycisk regulacji ISOFIX (T) i schowaj isofix do podstawy fotelika.

Pielęgnacja i konserwacja

Tapicerka fotelika może być prana w 30 stopniach, na programie delikatnym. Nie susz tapicerki w suszarce gdyż może to uszkodzić tapicerkę i jej wyściółkę. Odwiedź www.axkid.com/pl aby znaleźć filmy pokazujące jak zdjąć i założyć tapicerkę fotelika.

Zdjęcie tapicerki fotelika:

- Poluzuj uprząż naciskając przycisk regulacji uprząży (K) i ciągnąc jednocześnie oba pasy barkowe (F)
- Ostrożnie zdejmij pokrycie z zagłówka (C)
- Obniż zagłówek (C) do najniższej pozycji
- Rozepnij klamrę uprząży naciskając przycisk (G) i usuń ochraniacz krokowy
- Odepnij cztery napy na wewnętrznej stronie skorupy fotelika, pod plecami dziecka i delikatnie zdejmij tapicerkę z fotelika. Bądź ostrożny w okolicach plastikowych elementów aby nie uszkodzić materiału, nie ciągnij zbyt mocno
- Otwórz ochraniacze barkowe € i delikatnie odczep ochraniacze od rzepów

Zakładanie tapicerki na fotelik:

- Wykonaj powyższe kroki w odwrotnej kolejności.
- Zauważ, że ochraniacze barkowe mogą być zainstalowane w różnych pozycjach, zamocuj je w najdogodniejszej pozycji dla swojego dziecka. Upewnij się, że podgumowana strona ochraniaczy znajduje się od strony ciała dziecka.

Jeśli tapicerka fotelika wymaga wymiany upewnij się, że korzystasz wyłącznie z oryginalnych części zakupionych w autoryzowanym serwisie AXKID.

Wszystkie plastikowe elementy mogą być czyszczone za pomocą wody i łagodnego detergentu. Nie używaj agresywnych chemikaliów zawierających rozpuszczalniki lub ich pochodne, gdyż może to uszkodzić plastik i zagrazać bezpieczeństwu dziecka.

Recykling fotelika



Axkid rekomenduje recykling starych fotelików samochodowych. Przed zostawieniem fotelika w lokalnym punkcie odbioru odpadów wytnij uprząż z fotelika, usuń tapicerkę i jak najwięcej styropianowych wypełnień, oddziel metalowe części od plastikowych, jeśli będzie to możliwe. Skorupę fotelika można oznaczyć markerem jako "NIEBEZPIECZNA" aby zniechęcić kogokolwiek do ponownego używania fotelika. Szczegółowe zasady recyklingu znajdziesz w swoim lokalnym punkcie odbioru odpadów.

Gwarancja

Foteliki Axkid objęte są 24-miesięcznym okresem gwarancji, liczonym od daty zakupu fotelika. Upewnij się, że zachowałeś dowód zakupu aby w razie potrzeby przedstawić go swojemu sprzedawcy.

Gwarancja nie obejmuje:

- Normalnego zużycia produktu.
- Uszkodzeń wynikających z błędnego lub niewłaściwego użytkowania.
- Jeśli naprawy zostały dokonane przez inną osobę niż autoryzowany serwisant Axkid.
- Wszystkie materiały mają wysoki ratong UV-50. Jednakże światło UV jest wysoce agresywne, zatem ostatecznie może dojść do wyblaknięcia materiału tapicerki. Nie jest to objęte ochroną gwarancyjną.
- Obchodź się z fotelikiem ostrożnie. Nigdy nie przenoś go trzymając za zagłówek.

Дякуємо, що вибрали Axkid SPINKID 2

Прочитайте цю інструкцію з експлуатації, перш ніж встановлювати автокрісло у вашому автомобілі. Для отримання додаткової інформації та відео встановлення відвідайте www.axkid.com.

Axkid SPINKID 2 — це автокрісло, спрямоване проти руху, розраховано на дітей зростом 40-105 см, вагою ≤18 кг.

Це вдосконалена дитяча система безпеки i-Size. Він схвалений відповідно до Правил ООН № 129 для використання в місцях для сидіння транспортних засобів, сумісних із i-Size, як зазначено виробниками транспортних засобів у посібнику користувача транспортного засобу. Якщо ви сумніваєтеся, зверніться до виробника дитячої утримуючої системи для дітей (www.axkid.com) або до роздрібною продавця.

Важлива інформація

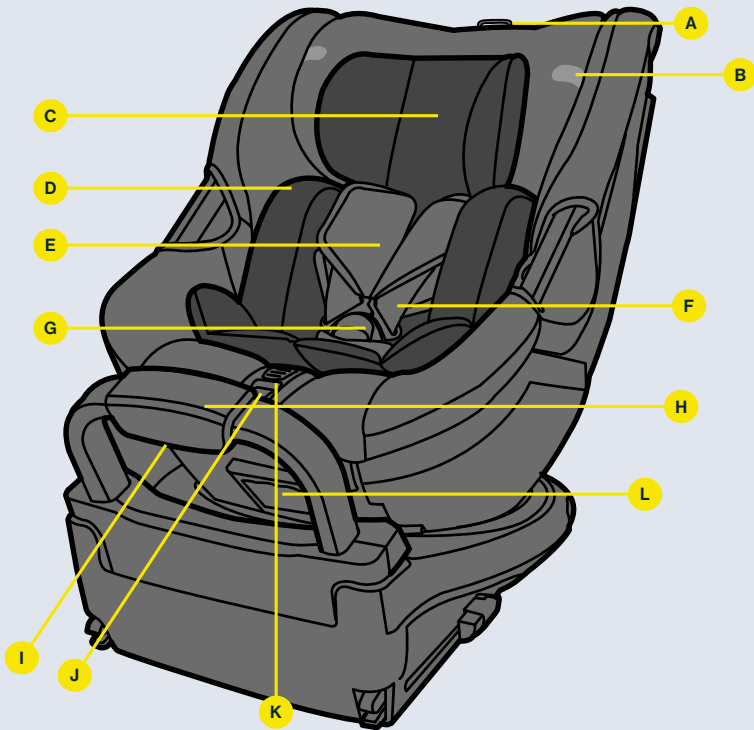
Щоб забезпечити максимальну безпеку вашої дитини, важливо пам'ятати про наступне:

- Завжди дотримуйтесь вказівок у цій інструкції. Неправильна установка може серйозно вплинути на безпеку вашої дитини. Якщо ви сумніваєтеся, зверніться до свого продавця, який може продемонструвати правильну установку.
- Збережіть цю інструкцію для використання в майбутньому. Якщо посібник загубився, ви можете знайти його в Інтернеті на www.axkid.com
- Не використовуйте автокрісло на пасажирському сидінні, де встановлено активну фронтальну подушку безпеки. Якщо ви все ж бажаєте встановити автокрісло в цьому місці, подушку безпеки слід вимкнути відповідно до інструкції виробника автомобіля.*п.21.13 ПДР України Дитячі утримуючі системи встановлюють на місцях для сидіння, крім першого ряду. У разі перевезення дитини віком до трьох років у легковому автомобілі на місці для сидіння першого ряду допускається встановлення дитячих утримуючих систем, які встановлюються проти напрямку руху з обов'язковим відключенням фронтальної подушки безпеки цього місця для сидіння (у разі її наявності).
- Якщо ви потрапили в аварію, незалежно від наслідків, ваше автокрісло завжди слід замінити. Воно може мати пошкодження та серйозно вплинути на безпеку вашої дитини. З цієї причини Axkid не рекомендує купувати вживані автокрісла, бо не можливо знати історію використання.
- Якщо автомобільне крісло піддавалося впливу прямих сонячних променів, переконайтеся, що воно не надто гаряче, перш ніж садити дитину.
- Ніколи не залишайте дитину без нагляду в автомобілі.
- Переконайтеся, що будь-який багаж або предмети закріплені у вашому автомобілі, оскільки вони можуть завдати травм пасажирам у разі аварії.
- Переконайтеся, що автокрісло встановлено таким чином, щоб жодні частини не затискалися рухомими сидіннями, дверима автомобіля тощо.
- Не намагайтеся розібрати або змінити будь-яку частину автокрісла. Це може вплинути на гарантію та безпеку автокрісла.
- Ніколи не використовуйте автокрісло без текстильного чохла. Текстильний чохол для сидіння є засобом безпеки, і його можна замінити лише на оригінальний текстильний чохол Axkid.
- Ознайомтеся з посібником з експлуатації автомобіля та списком транспортних засобів на сайті www.axkid.com, щоб дізнатися, які місця сидіння підходять для цього автокрісла.
- Axkid рекомендує завжди використовувати захист для сидіння, щоб захистити автомобільне сидіння від подряпин і бруду.
- Якщо у вас виникли сумніви, зверніться до продавця, де було придбано автокрісло, або за адресою info@axkid.com
- Автокрісло можна встановлювати лише обличчям проти руху.
- Завжди переконайтеся, що ремені безпеки правильно підходять до тіла вашої дитини. Ремені регулюються переміщенням підголівника.
- Переконайтеся, що спина дитини притиснута до автокрісла, коли фіксуєте дитину ременем безпеки.
- Завжди переконайтеся, що ремені безпеки міцно затягнуті на вашій дитині, а пряжка повністю зафіксована, ви не повинні мати змогу перетиснути ремені двома пальцями.
- Переконайтеся, що ремені не перекручені.
- Завжди переконайтеся, що опорна нога знаходиться у правильному положенні та має контакт з підлогою автомобіля. Опорна нога – це дуже важливий елемент безпеки, призначений для максимального захисту вашої дитини під час аварії.

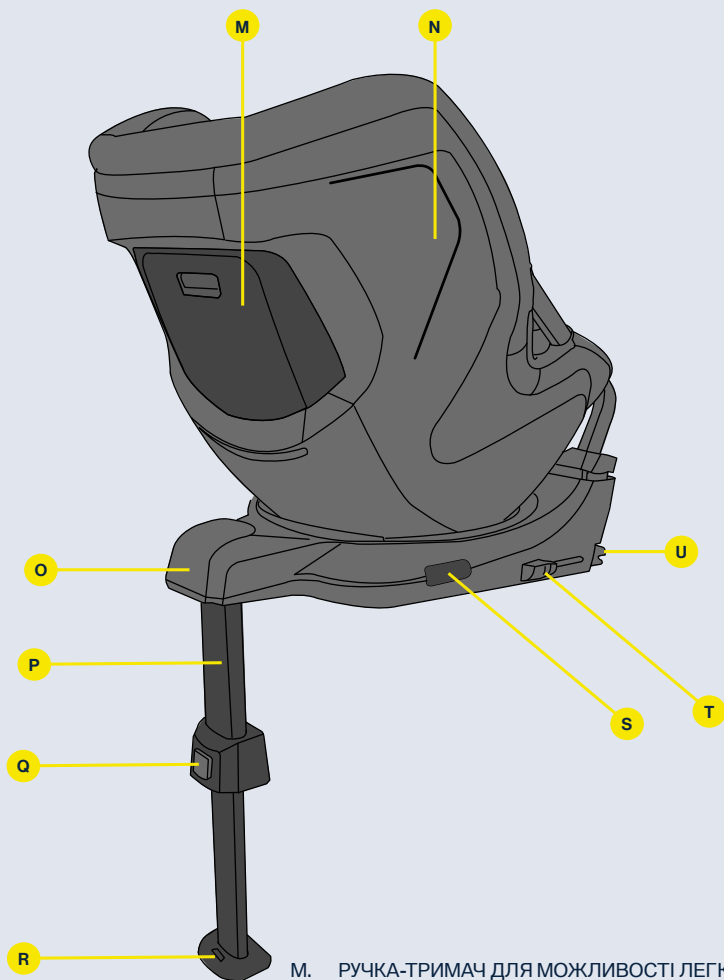
Зміст

Запчастини	112
Дозволене та заборонене розташування автокрісла Axkid SPINKID 2	114
Встановлення автокрісла Axkid SPINKID 2 в автомобіль	115
Фіксація дитини в автокріслі Axkid SPINKID 2	116
Регулювання автокрісла	117
Зняття автокрісла Axkid SPINKID 2 з автомобіля	117
Догляд і обслуговування	118
Гарантія	119

Запчастини



- A. КНОПКА РЕГУЛЮВАННЯ ПІДГОЛІВНИКА
- B. ІНДИКАТОР РІВНЯ ОЧЕЙ
- C. ПІДГОЛІВНИК
- D. ДИТЯЧА ВСТАВКА (≤ 75 CM)
- E. НАПЛІЧНИКИ
- F. ПЛЕЧОВІ РЕМЕНІ
- G. КНОПКА ВІДКРИТТЯ ЗАМКА ПРЯЖКИ
- H. ПЕРЕДНІЙ ЗАХИСНИЙ БАР'ЕР
- I. КНОПКА РЕГУЛЮВАННЯ ПЕРЕДНЬОГО ЗАХИСНОГО БАР'ЕРУ
- J. ЛЯМКА ФІКСАЦІЇ НАТЯГУ РЕМЕНІВ
- K. КНОПКА ОСЛАБЛЕННЯ ФІКСАЦІЇ РЕМЕНІВ
- L. ВАЖЕЛЬ РЕГУЛЮВАННЯ КУТА НАКЛОНУ СІДІННЯ АВТОКРІСЛА



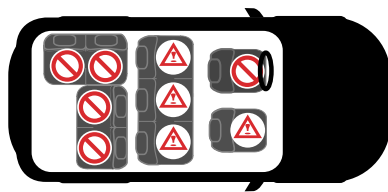
- M. РУЧКА-ТРИМАЧ ДЛЯ МОЖЛИВОСТІ ЛЕГКОГО ВСТАНОВЛЕННЯ
- N. КОРПУС СИДІННЯ АВТОКРІСЛА
- O. БАЗА АВТОКРІСЛА
- P. ОПОРНА НОГА
- Q. КНОПКА РЕГУЛЮВАННЯ ОПОРНОЇ НОГИ
- R. ІНДИКАТОР ОПОРНОЇ НОГИ
- S. КНОПКА РЕГУЛЮЮЧА МОЖЛИВІСТЬ ОБЕРТАННЯ АВТОКРІСЛА
- T. КНОПКА ISOFIX З ІНДИКАТОРОМ
- U. КОНЕКТОРИ ISOFIX



Дозволене та заборонене розташування автокрісла Axkid SPINKID 2

Автокрісло Axkid SPINKID 2 можна встановити лише обличчям проти руху за допомогою ISOFIX. Він схвалений для використання в усіх схвалених i-Size місцях для сидіння, але також може підходити до інших не схвалених i-Size сидінь ISOFIX. Перегляньте інструкцію з експлуатації автомобіля, щоб знайти відповідні місця для сидіння, і перегляньте список транспортних засобів на www.axkid.com

Переднє пасажирське сидіння з ISOFIX (без активної подушки безпеки)	ТАК*
Сидіння переднього пасажира з ISOFIX (активна подушка безпеки)	НІ
Заднє пасажирське сидіння з ISOFIX	ТАК
Сидіння збоку та проти руху з ISOFIX	НІ
Сидіння без ISOFIX	НІ



ВАЖЛИВО: якщо ви бажаєте встановити автокрісло Axkid SPINKID 2 у місці, де встановлено фронтальну подушку безпеки, подушку безпеки слід вимкнути відповідно до інструкцій виробника автомобіля. Зауважте, що для відключення подушки безпеки деяких автомобілів потрібен авторизований сервісний центр.

*п.21.13 ПДР України Дитячі утримуючі системи встановлюють на місцях для сидіння, крім першого ряду. У разі перевезення дитини віком до трьох років у легковому автомобілі на місці для сидіння першого ряду допускається встановлення дитячих утримуючих систем, які встановлюються проти напрямку руху з обов'язковим відключенням фронтальної подушки безпеки цього місця для сидіння (у разі її наявності).

** Стаття 117 Загальних правил дорожнього руху в Іспанії встановлює заборону на водіння з дітьми зростом 135 сантиметрів або менше, які знаходяться на передніх сидіннях транспортного засобу без винятків.



Ніколи не встановлюйте дитяче автокрісло на пасажирському сидінні, де встановлено активну подушку безпеки.





Встановлення автокрісла Axkid SPINKID 2 в автомобілі

1

Опустіть опорну ногу (P).

2

Встановить передній захисний бар'єр (H) за допомогою кнопки розблокування (I) для цього складить його в напрямку до спинки автокрісла.

3

Натисніть кнопки ISOFIX (T) і витягніть роз'єми ISOFIX (U) у крайнє положення.

4

Візьміться за передній бар'єр (H) і основу сидіння (O) і підніміть автокрісло Axkid SPINKID 2 у свій автомобіль. Вставте роз'єми ISOFIX (U) у точки з'єднання ISO-FIX в автомобілі, доки не почуєте клацання, а індикатори кнопок ISOFIX (T) не стануть зеленими. Встановить передній захисний бар'єр (H) за допомогою кнопки розблокування (I) у протилежному напрямку, для цього складить його в напрямку до спинки автомобільного сидіння. Присуньте автомобільне сидіння якнайдалі до спинки сидіння автомобіля. Передній захисний бар'єр (H) повинен бути щільно притиснут до спинки сидіння автомобіля.

5

Підніміть автокрісло вгору та натисніть кнопку опорної ніжки (Q). Потягніть опорну ніжку (P) вниз, поки вона не торкнеться підлоги автомобіля. Відпустіть кнопку опорної ніжки (Q) і витягніть опорну ніжку (R), поки не почуєте клацання. Тепер опорна ніжка (P) має бути зафіксована та щільно притиснута до підлоги автомобіля.

Примітка: опорна ніжка обладнана візуальним індикатором (R), який стане зеленим, коли опорна ніжка щільно притиснена до підлоги, що вказує на правильне встановлення.



Фіксація дитини в автокріслі Axkid SPINKID 2

Перед тим, як посадити дитину в автокрісло Axkid SPINKID 2, переконайтеся, що в автокріслі встановлена правильна вставка. Axkid SPINKID 2 розроблений, щоб рости разом з вашою дитиною та забезпечити комфортну та безпечну посадку для всіх дітей. Axkid рекомендує використовувати відповідну вставку, доки вона не стане занадто тісною для вашої дитини, але до мінімальної довжини відповідно до таблиці нижче (зверніть увагу, що вік є лише орієнтиром):

Вік	Висота	
Немовля 0-1 рік	40 – 75 cm	
Малюк 1-4 роки	76 – 105 cm	Без вставки

6

Натисніть кнопку повороту (S). Повертайте автокрісло, доки воно не зафіксується в крайньому положенні.

7

Послабте реміні, натиснувши кнопку розблокування ремінів (K), і витягніть обидва плечові реміні (F) одночасно.

Примітка: не тягніть лише один ремінь за раз, оскільки це може призвести до того, що лямки стануть нерівними.

8

Розблокуйте замок пряжки, натиснувши кнопку розблокування (G), і приєднайте з'єднувачі пряжки до магнітів, розташованих на ободі автокрісла.

9

Потягніть кнопку регулювання підголівника (A) і посуňte підголівник вгору або вниз, поки індикатори рівня очей (B) не будуть на одній лінії з очима вашої дитини.

Примітка: індикатори рівня очей (B) не повинні використовуватися під час використання вкладиша для немовлят. Під час використання SPINKID 2 для немовлят завжди переконайтеся, що підголівник знаходиться в найнижчому положенні.

10

Посадіть дитину в автокрісло та застібніть плечові реміні (F) через плече дитини. Зафіксуйте реміні безпеки, спершу з'єднавши частини пряжки, прикріплені до плечових ремінів (F), а потім проштовхніть їх у пряжку, доки не почуєте клацання.

11

Переконайтеся, що плечові реміні (F) проходять скрізь спинку автокрісла прямо над плечами вашої дитини або максимум на 1 см вище. Можливо, вам знадобиться знову відрегулювати підголівник (C), навіть якщо це призведе до того, що індикатор рівня очей буде не на одній лінії з очима вашої дитини. Тепер потягніть плечові реміні (F), щоб затягнути реміні безпеки на стегнах дитини. Зберігаючи натяг плечових ремінів (F), потягніть натяжний ремінь (J), доки ремінь не буде достатньо затягнутий. Між лячками (F) і плечима вашої дитини не повинно бути більше одного пальця.



Регулювання нахилу сидіння автокрісла

Після того, як автокрісло Axkid SPINKID 2 буде встановлено у вашому автомобілі, ви зможете легко відрегулювати положення нахилу для вашої дитини. Це також можна зробити, коли ваша дитина перебуває в автокріслі.

12

Потягніть важіль регулювання нахилу (L), щоб відрегулювати автокрісло в одне з чотирьох фіксованих положень.

13

Надійно зафіксувавши дитину в кріслі, натисніть кнопку обертання (S) та повертайте дитяче крісло, доки воно не заблокується в положенні, спрямованому назад.



Зняття автокрісла Axkid SPINKID 2 з автомобіля

14

Підніміть автокрісло вгору та натисніть кнопку опорної ніжки (Q). Згорніть опорну ногу (P) до найкоротшого положення.

15

Натисніть кнопку розблокування переднього бар'єру (I) і складіть передній захисний бар'єр (H) у напрямку до сидіння автокрісла, щоб зняти напругу на спинку сидіння автомобіля.

16

Від'єднайте роз'єми ISOFIX (U), натиснувши на кнопки ISOFIX (T), а потім посуньте їх назад, від сидіння автомобіля. Візьміться за передній бар'єр (H) і базу автокрісла (O) іншою рукою та підніміть автокрісло Axkid SPINKID 2 з автомобіля. Натисніть кнопки ISOFIX (T) і втягніть роз'єми ISOFIX (U) у їхні крайні внутрішні положення.

Догляд і обслуговування

Текстильний чохол сидіння можна прати в машині при 30° C у режимі делікатного прання. Не кладіть чохол у сушильну машину, оскільки це може пошкодити чохол, а набивка може відокремитися від тканини. Відвідайте www.axkid.com, щоб знайти відео, які пояснюють, як зняти та прикріпити чохол.

Зніміть текстильне покриття:

- Послабте ремені, натиснувши кнопку розблокування ременів (K), і витягніть обидва плечові ремені (F) одночасно.
- Обережно зніміть чохол з підголівника (C).
- Опустіть підголівник (C) у найнижче положення.
- Розблокуйте замок пряжки ременя, натиснувши кнопку розблокування пряжки (G) і зніміть кришку пряжки.
- Відстебніть чотири кнопки на спинці з внутрішньої сторони автокрісла та обережно зніміть текстильне покриття з нього. Будьте обережні навколо пластикових частин, щоб не пошкодити текстиль. Не тягніть занадто сильно.
- Відкрийте наплічники (E) і обережно зніміть їх із липучок.

Встановлення текстильного покриття:

Виконайте кроки, описані вище, у зворотному порядку, щоб знову встановити текстильний чохол на автокрісло.

- Зауважте, що наплічники можна встановити в різних положеннях. Встановіть їх у зручному для вашої дитини положенні, наплічники повинні розташовуватися зверху на плечі та на грудях вашої дитини. Також переконайтеся, що гумова сторона наплічника спрямована до грудей вашої дитини.

Якщо чохол сидіння потребує заміни, переконайтеся, що використовуються лише оригінальні продукти Axkid. Якщо використовуються інші продукти, система безпеки автокрісла Axkid може бути порушена, що може призвести до серйозних травм у разі аварії.

Будь-які пластикові деталі автокрісла Axkid можна мити м'яким миючим засобом і водою. Не використовуйте агресивні хімікати, що містять розчинники або подібні, оскільки це може пошкодити пластик і поставити під загрозу безпеку автокрісла.

Переробка вашого сидіння



Axkid наполегливо рекомендує переробляти старі автокрісла. Перш ніж залишити сидіння на місцевій станції переробки, відріжте ремені безпеки від сидіння, зніміть текстильний чохол, видаліть якомога більше деталей із пінополістиролу, відокремте металеві та пластикові частини, якщо можливо. Основна частина автокрісла повинна бути позначена, як небезпечна або прострочена (використовуйте маркер), щоб ніхто не користувався нею знову. Будь ласка, перевірте ваші місцеві муніципальні вказівки щодо інструкцій, щодо переробки різних матеріалів.

Гарантія

На автокрісло Axkid поширюється гарантія 24 місяці з дати покупки. Обов'язково збережіть свій чек і принесіть його до місця покупки, якщо у вас виникнуть проблеми.

Гарантія не поширюється на:

- Знос, пов'язаний з повсякденним використанням.
- Пошкодження через неправильне використання, недбалість або нещасний випадок.
- Якщо ремонт проводився третьою стороною.
- Усі використані матеріали мають дуже високий рейтинг стійкості до ультрафіолету. Однак ультрафіолетове світло є дуже агресивним і зрештою призведе до вицвітання покриття сидіння. На це не поширюється наша гарантія, оскільки це вважається нормальним повсякденним зносом.
- Обережно поводьтеся з автокріслом. Ніколи не несіть автокрісло, тримаючи його за підголовник.

Hvala što ste odabrali Axkid SPINKID 2

Pročitajte ovaj priručnik prije instalacije autosjedalice u vaše vozilo.
Za više informacija i instalacijske videozapise posjetite www.axkid.com.

Axkid SPINKID 2 je autosjedalica namijenjena za vožnju u suprotnom smjeru i odobrena za djecu visine između 40 i 105 cm, s maksimalnom težinom od 18 kg.

Ovo je poboljšani sustav za sigurnost djece prema i-Size standardima (R129). Odobren je prema UN propisu br. 129 za upotrebu na sjedalima vozila kompatibilnim s i-Size standardima, kako je naznačeno od strane proizvođača vozila u korisničkom priručniku vozila. U slučaju sumnje, konzultirajte proizvođača (www.axkid.com) ili prodavača.

Važne informacije

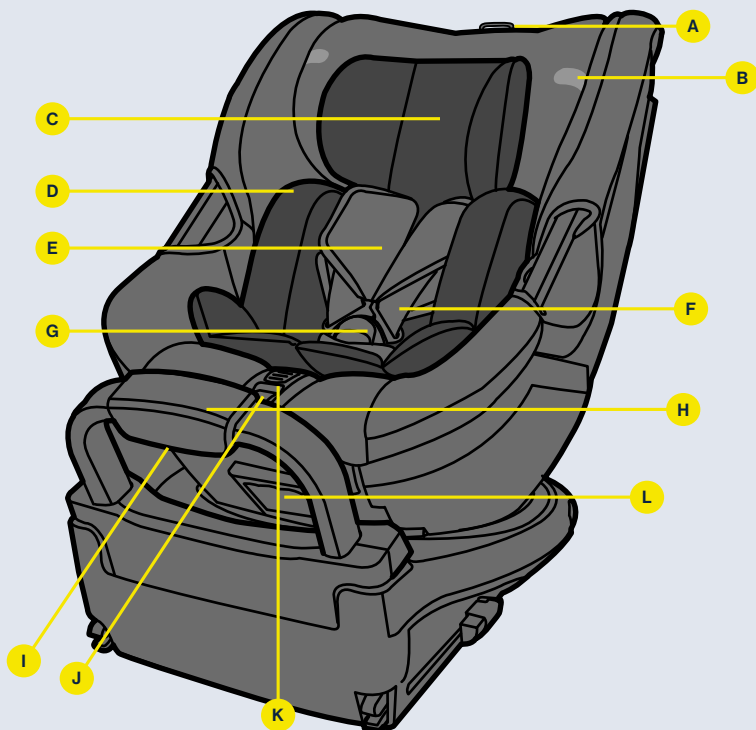
Kako biste maksimalno osigurali vaše dijete, važno je imati na umu sljedeće:

- Uvijek slijedite upute u ovom priručniku. Nepravilna instalacija može ozbiljno utjecati na sigurnost vašeg djeteta. U slučaju sumnje ili nesigurnosti, obratite se trgovcu koji vam može demonstrirati ispravnu instalaciju.
- Čuvajte ovaj priručnik za buduću referencu. Ako priručnik izgubite, možete ga pronaći online na www.axkid.com.
- Nemojte koristiti autosjedaicu na sjedalu gdje je ugrađen aktivni frontalni zračni jastuk. Ako ipak želite instalirati autosjedaicu na tom mjestu, zračni jastuk mora biti isključen prema uputama proizvođača vozila.
- U slučaju nesreće, bez obzira na to koliko je mala, autosjedalica uvijek treba biti zamijenjena. Može imati oštećenja koja nisu vidljiva, a koja ozbiljno mogu utjecati na sigurnost vašeg djeteta. Iz tog razloga, Axkid ne preporučuje kupnju rabljenih autosjedalica.
- Ako je autosjedalica izložena izravnom suncu, provjerite je li autosjedalica dovoljno hladna prije nego što smjestite dijete.
- Nikada ne ostavljajte dijete samo u vozilu.
- Osigurajte da su prtljaga ili slobodni predmeti dobro pričvršćeni u vašem vozilu, jer mogu uzrokovati ozljede putnicima u slučaju nesreće.
- Osigurajte da je autosjedalica instalirana na način da nijedan dio ne može zaglaviti između pomičnih sjedala, vrata automobila itd.
- Nemojte pokušavati rastavljati niti mijenjati bilo koji dio autosjedalice. Jamstvo i sigurnosna učinkovitost autosjedalice mogli bi biti nevaljani ako to učinite.
- Nikada ne koristite autosjedaicu bez tekstilne navlake sjedala. Tekstilna navlaka sjedala je sigurnosna značajka i može se zamijeniti samo originalnom tekstilnom navlakom od Axkida.
- Pročitajte priručnik za vozilo i listu vozila na web stranici www.axkid.com kako biste pronašli koje pozicije sjedenja odgovaraju za ovu autosjedaicu.
- Axkid preporučuje uvijek koristiti zaštitu sjedala kako biste zaštitili sjedalo vašeg vozila od ogrebotina i prljavštine.
- Ako imate bilo kakvih sumnji, obratite se prodavaču gdje je autosjedalica kupljena ili kontaktirajte info@axkid.com.
- Autosjedalica se smije instalirati samo okrenuta u obrnutom smjeru vožnje (dijete gleda prema stražnjem dijelu auta).
- Uvijek provjerite je li pojas pravilno podešen da odgovara tijelu vašeg djeteta. Podešavanje pojasa vrši se pomicanjem potpore za glavu.
- Pazite da su leđa djeteta pritisnuta uz autosjedaicu prilikom pričvršćivanja pojasa.
- Uvijek se uvjerite da je pojas čvrsto zategnut oko djeteta i da je kopča potpuno zaključana, ne bi smjelo biti moguće stisnuti pojaseve.
- Provjerite da nema uvijanja u pojasevima.
- Uvijek se pobrinite da je potporna noga u ispravnom položaju i da je u kontaktu s podom vozila. Potporna noga je vrlo važna sigurnosna značajka koja je osmišljena kako bi maksimizirala sigurnost vašeg djeteta u slučaju nesreće.

Sadržaj

Dijelovi	122
Dopušteno i nedopušteno pozicioniranje SPINKID 2 autosjedačice.	124
Instaliranje SPINKID 2 autosjedačice u automobil	125
Pričvršćivanje djeteta u autosjedačici Axxid SPINKID 2	126
Podšavanje sjedala	127
Uklanjanje autosjedačice Axxid SPINKID 2 iz automobila	127
Njega i održavanje	128
Jamstvo	129

Dijelovi



A GUMB ZA PODEŠAVANJE NASLONA ZA GLAVU

B INDIKATOR ZA RAZINU OČIJU

C NASLON ZA GLAVU

D UMETAK ZA NOVOROĐENČE (≤ 75 cm)

E JASTUČIĆI ZA RAMENA

F POJASEVI ZA RAMENA

G GUMB ZA OTPUŠTANJE KOPČE

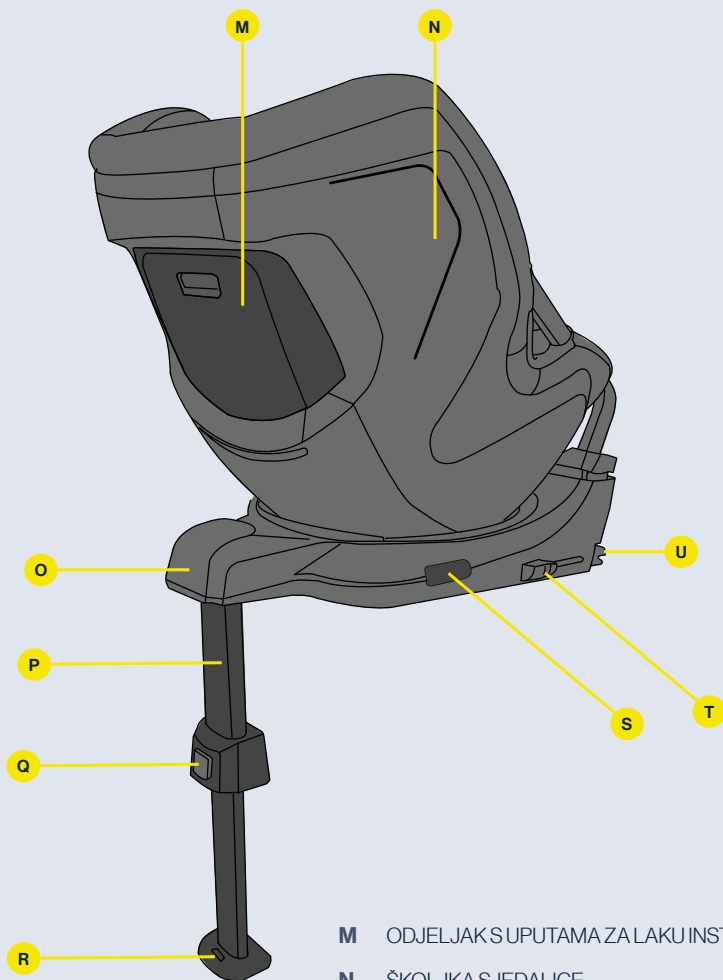
H PREDNJA POTPORA

I GUMB ZA OTPUŠTANJE PREDNJE POTPORE

J TRAKA ZA ZATEZANJE POJASA

K GUMB ZA OTKLJUČAVANJE POJASEVA

L RUČICA ZA PODEŠAVANJE NAGIBA



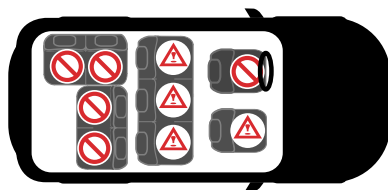
- M** ODJELJAK S UPUTAMA ZA LAKU INSTALACIJU
- N** ŠKOLJKA SJEDALICE
- O** BAZA AUTOSJEDALICE
- P** POTPORNA NOGA
- Q** GUMB ZA POTPORNU NOGU
- R** INDIKATOR POTPORNE NOGE
- S** GUMB ZA ROTACIJU
- T** ISOFIX GUMB S INDIKATOROM
- U** ISOFIX KONEKTORI



Dozvoljene i nedozvoljene pozicije dječje autosjedalice Axkid SPINKID 2

Dječja autosjedalica Axkid SPINKID 2 se može instalirati samo okrenuta u suprotnom smjeru vožnje koristeći ISOFIX. Odobrena je za upotrebu na svim sjedalima u automobilu koja su odobrena prema i-Size standardu, ali može odgovarati i drugim sjedalima koja nisu odobrena prema i-Size standardu, ali imaju ISOFIX priključke. Provjerite upute u priručniku vašeg vozila kako biste pronašli odgovarajuće sjedala i provjerite popis vozila na www.axkid.com.

Prednje sjedalo za suvozača s ISOFIX-om (bez aktivnog zračnog jastuka)	DA/ NE*
Prednje suvozačevo sjedalo s ISOFIX-om (aktivni zračni jastuk)	NE
Stražnje sjedalo za putnike s ISOFIX-om	DA
Sjedala okrenuta prema bočno i prema stražnjem dijelu vozila s ISOFIX-om	NE
Sjedala bez ISOFIX-a	NE



VAŽNO: Ako želite instalirati svoju Axkid SPINKID 2 autosjedalicu na mjesto gdje je postavljen frontalni zračni jastuk, zračni jastuk mora biti isključen prema uputama proizvođača vašeg automobila. Imajte na umu da neki automobili zahtijevaju ovlašteni servisni centar za isključivanje zračnog jastuka.

* Opći propisi o prometu u Španjolskoj, u članku 117, utvrđuju zabranu vožnje djece, čija visina iznosi ili je manja od 135 centimetara, smještene na prednjim sjedalima vozila, bez iznimaka.



Nikada ne instalirajte dječju autosjedalicu na sjedalo za suvozača gdje je ugrađen aktivni zračni jastuk.





Postavljanje dječje autosjedalice Axkid SPINKID 2 u vozilo

1

Preklopite potpornu nogu (P).

2

Otpustite prednju potporu (H) pritiskom na gumb za otpuštanje (I) i preklopite prednju potporu prema sjedalu automobila.

3

Pritisnite ISOFIX gumb (T) i izvucite ISOFIX konektore (U) u njihove najudaljenije položaje.

4

Uхватite prednju potporu (H) i dno sjedala (O) drugom rukom i podignite dječju autosjedalicu Axkid SPINKID 2 u vaše vozilo. Pritisnite ISOFIX konektore (U) u ISOFIX priključne točke u vozilu dok ne čujete klik i indikatori gumba ISOFIX-a (T) postanu zeleni. Otpustite prednju potporu (H) pritiskom na gumb za otpuštanje (I) i preklopite prednju potporu prema sjedalu vozila. Gurnite dječju autosjedalicu što je moguće dalje prema sjedalu vozila. Prednja potpora (H) trebala bi čvrsto biti prislonjena uz sjedalo vozila.

5

Podignite autosjedalicu prema gore i pritisnite gumb za potpornu nogu (Q). Povucite potpornu nogu (P) prema dolje dok ne dođe u kontakt s podom vozila. Pustite gumb za potpornu nogu (Q) i dalje izvucite potpornu nogu (R) dok ne čujete klik. Potporna noga (P) sada bi trebala biti zaključana i čvrsto prislonjena uz pod vozila.

Napomena: Potporna noga opremljena je vizualnim indikatorom (R) koji će postati zelen kada je potporna noga čvrsto prislonjena uz pod, što ukazuje na ispravnu instalaciju.



Vežanje djeteta u dječjoj autosjedalici Axkid SPINKID 2

Prije nego što zavežete dijete u dječju autosjedalicu Axkid SPINKID 2, provjerite imate li ispravan umetak instaliran u sjedalu. Axkid SPINKID 2 je dizajniran da raste s vašim djetetom i osigura udobno i sigurno prijanjanje za sve djecu. Axkid preporučuje korištenje odgovarajućeg umetka dok god je dovoljno rastegnut za vaše dijete, ali minimalnu duljinu prema tablici ispod (napomena: dob je samo pokazatelj)

DOB	VISINA	
Novorođenče 0-1 godina	40 – 75 cm	
Manje dijete 1-4 godine	76 – 105 cm	Bez umetka

6

Pritisnite gumb za rotaciju (S). Rotirajte autosjedalicu dok se ne zaključa u svoj najudaljeniji položaj.

7

Otpustite pojas pritiskom na gumb za otpuštanje pojasa (K) i istovremeno povucite oba ramena pojasa (F).
Napomena: Izbjegavajte povlačenje samo jednog pojasa istovremeno jer to može uzrokovati nepravilan položaj pojaseva.

8

Otključajte kopču pritiskom na gumb za otpuštanje kopče (G) i pričvrstite kopču na vrh magneta koji se nalaze na rubu sjedala automobila.

9

Povucite gumb za podešavanje naslona za glavu (A) i pomičite naslon za glavu prema gore ili prema dolje dok indikatori razine očiju (B) ne budu u ravnini s očima vašeg djeteta.
Napomena: Indikatore razine očiju (B) ne smije se koristiti kada se koristi umetak za novorođenčad. uvijek se pobrinite da je naslon za glavu u najnižem položaju kada koristite SPINKID 2 za novorođenčad.

10

Stavite dijete u autosjedalicu i postavite pojaseve ramena (F) preko djetetovih ramena. Zakopčajte pojas tako da prvo spojite dijelove kopče koji su pričvršćeni za pojaseve ramena (F), a zatim ih gurnite u kopču dok ne čujete klik.

11

Provjerite jesu li pojasevi ramena (F) usmjereni kroz autosjedalicu ravno od ramena vašeg djeteta ili najviše 1 cm iznad njih. Možda ćete morati ponovno podesiti naslon za glavu (C), čak i ako to uzrokuje da se indikator razine očiju ne poklapa s očima vašeg djeteta. Sada povucite pojaseve ramena (F) kako biste zategnuli pojas preko kukova vašeg djeteta. Dok držite napetost na pojasevima ramena (F), povucite traku za zatezanje pojasa (J) dok pojas ne bude dovoljno zategnut. Ne bi trebali moći ugurati više od jednog prsta između pojaseva ramena (F) i ramena vašeg djeteta.



Podešavanje sjedala

Nakon što je dječja autosjedalica Axkid SPINKID 2 instalirana u vašem vozilu, možete jednostavno prilagoditi položaj naslona za vaše dijete. To možete učiniti i dok je vaše dijete zavezano u autosjedalici.

12

Povucite polugu za podešavanje naslona (L) kako biste prilagodili autosjedalicu u jedan od četiri fiksna položaja.

13

Nakon što čvrsto vežete pojasom dijete u sjedalici, pritisnite okretni gumb (S) i okrećite dječju sjedalicu dok se ne zaključa u položaju okrenutom prema natrag.



Uklanjanje dječje autosjedalice Axkid SPINKID 2 iz vozila

14

Podignite autosjedalicu prema gore i pritisnite gumb za potpornu nogu (Q). Sklopite potpornu nogu (P) na svoj najkraći položaj.

15

Pritisnite gumb za otpuštanje prednje potpore (I) i preklopite prednju potporu (H) prema autosjedalu kako biste popustili otpor sjedala vozila.

16

Odvojite ISOFIX konektore (U) pritiskom prema dolje na ISOFIX gumbe (T), a zatim ih povucite unatrag, dalje od naslona sjedala u vozilu. Uхватite prednju potporu (H) i podnožje sjedala (O) drugom rukom i podignite dječju autosjedalicu Axkid SPINKID 2 iz vašeg vozila. Pritisnite ISOFIX gumbe (T) i povucite ISOFIX konektore (U) u njihove unutarnje položaje.

Njega i održavanje

Navlaka autosjedalice može se prati u perilici rublja na 30° C u nježnom ciklusu. Ne stavljajte navlaku u sušilicu jer ju to može oštetiti, a punjenje se može odvojiti od tkanine. Posjetite www.axkid.com kako biste pronašli videozapise koji objašnjavaju kako skinuti i pričvrstiti navlaku.

Uklanjanje tekstilne navlake:

- Otpustite pojaseve pritiskom na gumb za oslobađanje pojaseva (K) i istovremeno izvucite oba ramena pojaseva (F).
- Pažljivo skinite navlaku s naslona za glavu (C).
- Spustite naslon za glavu (C) na najnižu poziciju.
- Otkopčajte kopču za pojas pritiskom na gumb za otpuštanje kopče (G) i skinite poklopac kopče.
- Otpustite četiri gumba na naslonu za leđa na unutrašnjosti autosjedalice i pažljivo uklonite tekstilnu navlaku s autosjedalice. Pazite na plastične dijelove kako biste izbjegli oštećenje tekstila. Nemojte previše povlačiti.
- Otvorite ramene jastučuće (E) i nježno ih uklonite s Velcro-a.

Postavljanje tekstilne navlake:

- Obrnutim redom ponovite korake iz prethodne upute kako biste ponovno postavili tekstilnu navlaku na autosjedaлицu.
- Imajte na umu da se jastučići za ramena mogu postaviti na različite položaje. Postavite ih u položaj prikladan za vaše dijete, jastučići za ramena trebaju biti smješteni iznad ramena i na prsima vašeg djeteta. Također se pobrinite da gumeni dio jastučića za ramena bude okrenut prema prsima vašeg djeteta.

Ako je potrebna zamjena navlake sjedala, uvjerite se da se koristite samo originalni proizvodi tvrtke Axkid. Ako se koristite drugi proizvodi, sigurnosni sustav autosjedalice tvrtke Axkid može biti ugrožen, što može rezultirati teškim ozljedama u slučaju nesreće.

Svi plastični dijelovi autosjedalice tvrtke Axkid mogu se čistiti blagim deterdžentom i vodom. Ne koristite agresivne kemikalije koje sadrže otapala ili slično, jer to može uzrokovati oštećenje plastike i ugroziti sigurnost autosjedalice.

Recikliranje vaše sjedalice



Axkid snažno preporučuje recikliranje starih autosjedalica. Prije nego što ostavite sjedalicu na vašoj lokalnoj reciklažnoj stanici, odrežite pojaseve od sjedala, skinite tekstilni pokrov, uklonite što više dijelova od stiropora koliko je moguće, odvojite metalne i plastične dijelove ako je moguće. Glavni dio sjedala treba označiti kao neispravan ili istekao (koristite marker) kako biste spriječili bilo koga da ga ponovno koristi. Molimo provjerite smjernice vaše lokalne općine za upute o recikliranju različitih materijala.

Jamstvo

Dječja autosjedalica Axkid ima jamstvo od 24 mjeseca od datuma kupnje. Pazite da sačuvate račun i donesete ga na mjesto kupnje ako imate bilo kakvih pitanja vezanih uz jamstvo.

Jamstvo ne pokriva:

- Normalno trošenje i habanje.
- Oštećenja zbog nepravilne upotrebe, zanemarivanja ili nesreće.
- Ako su popravci izvršeni od treće strane.
- Svi korišteni materijali imaju vrlo visoku ocjenu otpornosti na UV svjetlost. Međutim, UV svjetlost je vrlo agresivna i na kraju će dovesti do blijedenja presvlake sjedala. To nije obuhvaćeno našim jamstvom jer se smatra normalnim trošenjem i habanjem.
- Postupajte pažljivo s autosjedralicom. Nikada ne nosite sjedalicu držeći je za naslon za glavu.

Děkujeme, že jste si vybrali Axkid SPINKID 2

Před instalací autosedačky do vozidla si přečtěte tento návod k použití.
Další informace a instalační videa naleznete na stránkách www.axkid.com.

Axkid SPINKID 2 je autosedačka určená pro použití proti směru jízdy, schválená pro děti s výškou mezi 40–105 cm a hmotností do 18 kg.

Jedná se o vylepšený dětský zádržný systém i-Size. Je schválen podle předpisu UN R129 pro použití na sedadlech ve vozidle kompatibilních se systémem i-Size, jak je uvedeno výrobcem vozidla v uživatelské příručce vozidla. V případě pochybností se obraťte na výrobce dětského zádržného systému (www.axkid.com) nebo na prodejce.

Důležité informace

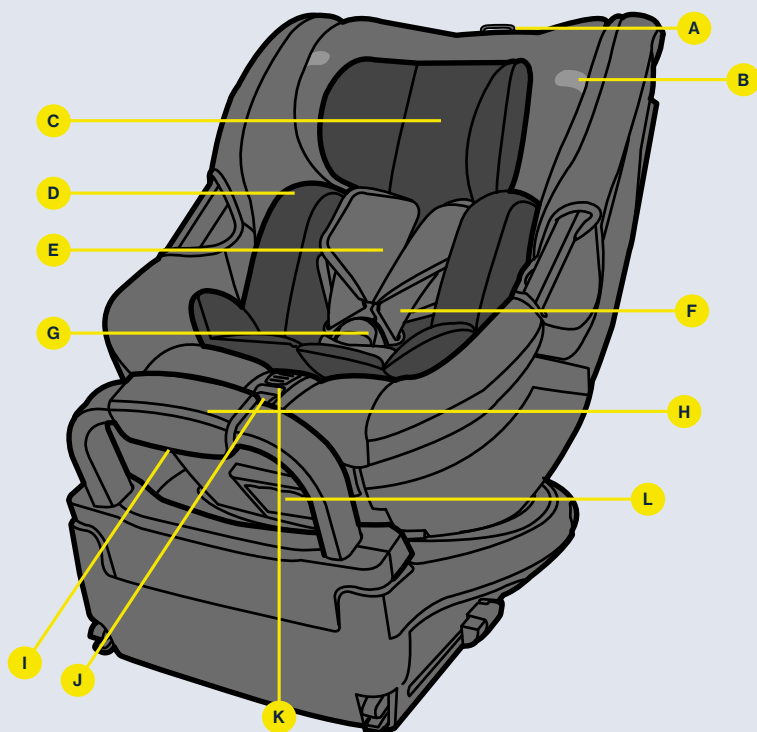
Pro maximální bezpečnost vašeho dítěte mějte na paměti následující:

- Vždy dodržujte pokyny uvedené v tomto návodu. Nesprávná instalace může vážně ohrozit bezpečnost dítěte. V případě pochybností se obraťte na prodejce, který vám může předvést správnou instalaci.
- Tento návod si uschovejte pro budoucí použití. Pokud jej ztratíte, najdete jej online na www.axkid.com.
- Nepoužívejte autosedačku na sedadle, kde je aktivní airbag pro čelní náraz. Pokud chcete autosedačku nainstalovat na toto místo, je třeba airbag deaktivovat podle pokynů výrobce vozidla.
- V případě autonehody, třeba i méně závažné, se musí autosedačka vždy vyměnit. Mohou se objevit nezjistitelné závady, které mohou vážně ohrozit bezpečnost dítěte. Z tohoto důvodu společnost Axkid nedoporučuje kupovat použité autosedačky.
- Pokud byla autosedačka vystavena přímému slunečnímu záření, ujistěte se před usazením dítěte, že není příliš horká.
- Nikdy nenechávejte dítě v autě bez dozoru.
- Všechna zavazadla a volně ležící předměty ve vozidle zajistěte proti pohybu, aby v případě autonehody nemohly zranit cestující.
- Ujistěte se, že je autosedačka instalována tak, aby nemohlo dojít k zachycení jejích částí pohyblivými sedadly, dveřmi auta atd.
- Nepokoušejte se rozebírat ani upravovat jakoukoli část autosedačky. Mohlo by to ovlivnit záruku a bezpečnost autosedačky Axkid.
- Nikdy nepoužívejte autosedačku bez textilního potahu. Textilní potah je bezpečnostní prvek a lze jej nahradit pouze originálním potahem značky Axkid.
- Přečtěte si příručku k vozidlu a seznam vozidel na www.axkid.com, kde je uvedeno, která místa k sezení jsou pro tuto autosedačku vhodná.
- Společnost Axkid doporučuje vždy používat ochranu sedadla, aby bylo sedadlo vozidla chráněno před poškrábáním a nečistotami.
- Autosedačku lze instalovat pouze proti směru jízdy.
- Vždy se ujistěte, že je postroj správně nastaven tak, aby odpovídal tělu dítěte. Postroj se nastavuje pomocí opěrky hlavy.
- Před připoutáním dítěte se ujistěte, že záda dítěte přiléhá k opěradlu autosedačky.
- Vždy se ujistěte, že je postroj pevně utažený a přezka zcela zapadá – neměli byste být schopni popruhy mezi prsty sevřít.
- Ujistěte se, že postroj není zkroucený.
- Vždy se ujistěte, že je opěrná noha ve správné poloze a má kontakt s podlahou vozidla. Opěrná noha je velmi důležitý bezpečnostní prvek navržený pro maximální ochranu dítěte při nehodě.

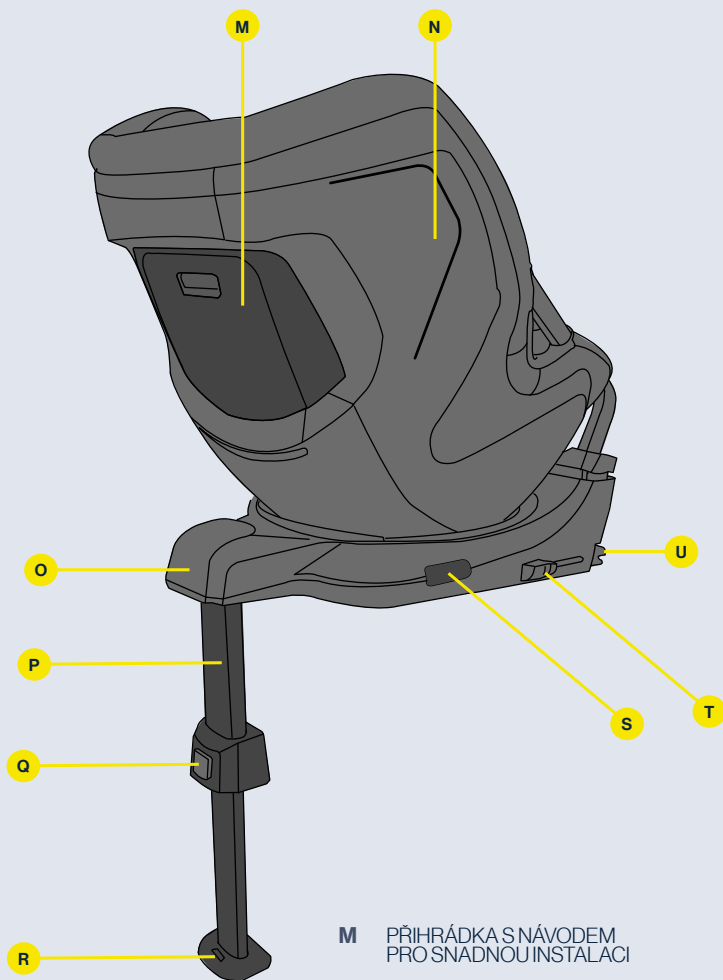
Obsah

Součásti	132
Povolené a zakázané umístění autosedačky Axkid SPINKID 2	134
Instalace autosedačky Axkid SPINKID 2 do vozidla	135
Zajištění dítěte v autosedačce Axkid SPINKID 2	136
Úpravy sedadla	137
Vyjmutí autosedačky Axkid SPINKID 2 z vozidla	137
Péče a údržba	138
Záruka	139

Součásti



- A TLAČÍTKO PRO NASTAVENÍ OPĚRKY HLAVY
- B UKAZATEL ÚROVNĚ OČÍ
- C OPĚRKA HLAVY
- D VLOŽKA PRO KOJENCE (≤ 75 CM)
- E POLSTROVÁNÍ RAMENNÍCH POPRUHŮ
- F RAMENNÍ POPRUHY
- G TLAČÍTKO PRO UVOLNĚNÍ PŘEZKY
- H OPĚRNÝ OBLOUK
- I TLAČÍTKO PRO UVOLNĚNÍ OPĚRNÉHO OBLOUKU
- J POPRUH PRO NAPNUTÍ POSTROJE
- K TLAČÍTKO PRO UVOLNĚNÍ POSTROJE
- L PÁKA PRO NASTAVENÍ SKLONU



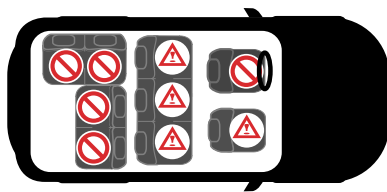
- M** PŘIHRÁDKA S NÁVODEM PRO SNADNOU INSTALACI
- N** SKOŘEPINA SEDAČKY
- O** ZÁKLADNA SEDAČKY
- P** OPĚRNÁ NOHA
- Q** TLAČÍTKO OPĚRNÉ NOHY
- R** UKAZATEL OPĚRNÉ NOHY
- S** TLAČÍTKO PRO OTÁČENÍ
- T** TLAČÍTKO ISOFIX S INDIKÁTOREM
- U** KONEKTORY ISOFIX



Povolené a zakázané umístění autosedačky Axkid SPINKID 2

Autosedačku Axkid SPINKID 2 lze instalovat pouze proti směru jízdy pomocí systému ISOFIX. Je schválena pro použití na všech sedadlech schválených pro systém i-Size, ale může být vhodná i pro jiná sedadla se systémem ISOFIX, která nejsou schválena jako i-Size. V návodu k obsluze vozidla si ověřte, která sedadla jsou vhodná, a zkontrolujte seznam vozidel na stránkách www.axkid.com.

Přední sedadlo spolujezdce s ISOFIX (bez aktivního airbagu)	ANO/NE*
Přední sedadlo spolujezdce s ISOFIX (s aktivním airbagem)	NE
Zadní sedadlo spolujezdce s ISOFIX	ANO
Sedadla obrácená bokem ke směru jízdy a sedadla obrácená proti směru jízdy s ISOFIX	NE
Sedadla bez systému ISOFIX	NE



DŮLEŽITÉ: Pokud chcete autosedačku Axkid SPINKID 2 nainstalovat na místo, kde je umístěn airbag pro čelní náraz, je třeba airbag deaktivovat podle pokynů výrobce vozidla. Upozorňujeme, že u některých vozidel je k deaktivaci airbagu nutné kontaktovat autorizovaný servis.

* *Obecné dopravní předpisy ve Španělsku v článku 117 zavádějí bez výjimek zákaz přepravovat děti s výškou do 135 cm na předních sedadlech vozidla.*



Nikdy neinstalujte dětskou autosedačku na sedadlo spolujezdce, kde je aktivní airbag pro čelní náraz.





Instalace autosedačky Axkid SPINKID 2 do vozidla

1

Sklopte opěrnou nohu (P).

2

Uvolněte opěrný oblouk (H) pomocí tlačítka pro uvolnění (I) a sklopte jej směrem k sedadlu.

3

Stiskněte tlačítka ISOFIX (T) a vysuňte konektory ISOFIX (U) do jejich nejzazší polohy.

4

Uchopte opěrný oblouk (H) a druhou rukou základnu sedačky (O) a zvedněte autosedačku Axkid SPINKID 2 do vozidla. Zasuňte konektory ISOFIX (U) do kotevnic bodů ISOFIX ve vozidle, dokud neuslyšíte cvaknutí a indikátory tlačítek ISOFIX (T) nezmění barvu na zelenou.

Uvolněte opěrný oblouk (H) pomocí tlačítka pro uvolnění (I) a sklopte jej směrem k sedadlu vozidla. Zatlačte autosedačku co nejblíže k sedadlu vozidla. Opěrný oblouk (H) musí pevně přiléhat k sedadlu vozidla.

5

Zvedněte autosedačku a stiskněte tlačítko opěrné nohy (Q). Vytáhněte opěrnou nohu (P) směrem dolů, dokud se nedotkne podlahy vozidla. Uvolněte tlačítko opěrné nohy (Q) a dále vysuňte opěrnou nohu (R), dokud neuslyšíte cvaknutí. Opěrná noha (P) by nyní měla být zajištěna a pevně přitlačena k podlaze vozidla.

Poznámka: Opěrná noha je vybavena vizuálním indikátorem (R), který se při správném kontaktu s podlahou vozidla zbarví zeleně, což signalizuje správnou instalaci.



Zajištění dítěte v autosedačce Axkid SPINKID 2

Před usazením dítěte do autosedačky Axkid SPINKID 2 se ujistěte, že je v sedačce správně nainstalována odpovídající vložka. Autosedačka Axkid SPINKID 2 je navržena tak, aby rostla s dítětem a zajistila pohodlné a bezpečné usazení. Společnost Axkid doporučuje používat vložku, dokud není dítěti těsná, minimálně však podle délky uvedené v tabulce níže (věk je pouze orientační):

VĚK	VÝŠKA	
Kojenci 0–1rok	40 – 75 cm	
Batolata 1–4 roky	76 – 105 cm	Bez vložky

6

Stiskněte tlačítko pro otáčení (S). Otočte autosedačku, dokud se nezajistí v krajní poloze.

7

Uvolněte postroj stisknutím tlačítka pro uvolnění postroje (K) a současným tažením obou ramenních popruhů (F).
Poznámka: Vyhněte se tahání pouze za jeden popruh, protože by mohlo dojít k jejich nerovnoměrnému nastavení.

8

Uvolněte přezku stisknutím tlačítka pro uvolnění přezky (G) a přichyťte koncovky přezky na magnety umístěné na okraji sedačky.

9

Stiskněte tlačítko pro nastavení opěrky hlavy (A) a posuňte opěrku hlavy nahoru nebo dolů tak, aby ukazatele úrovně očí (B) byly v linii s očima vašeho dítěte.
Poznámka: Ukazatele úrovně očí (B) se nepoužívají při použití novorozenecké vložky. Při používání SPINKID 2 pro kojence se vždy ujistěte, že je opěrka hlavy nastavena do nejnižší polohy.

10

Usaďte dítě do sedačky a přetáhněte ramenní popruhy (F) přes ramena dítěte. Přezku zapněte tak, že nejprve spojte části přezky připojené k ramenním popruhům (F) a poté je zasunete do přezky, dokud neuslyšíte cvaknutí.

11

Zkontrolujte, že ramenní popruhy (F) vedou přímo z ramen dítěte nebo maximálně 1 cm nad nimi. Možná bude nutné znovu upravit opěrku hlavy (C), i když tím dojde k posunu ukazatele úrovně očí mimo úroveň očí dítěte. Nyní zatáhněte za ramenní popruhy (F), abyste postroj utáhli přes boky dítěte. Při udržení napětí v ramenních popruzích (F) zatáhněte za popruh pro napnutí postroje (J), dokud není postroj dostatečně utažen. Mezi ramenní popruhy (F) a ramena dítěte by se neměl vejít více než jeden prst.



Úprava sedadla

Po instalaci autosedačky Axkid SPINKID 2 do vozidla můžete snadno upravit její sklon podle potřeby dítěte. Tuto úpravu lze provést i v případě, že je dítě již připoutáno v autosedačce.

12

Zatáhněte za páku pro nastavení sklonu (L) a nastavte sedadlo do jedné ze čtyř pevných poloh.

13

Po připoutání dítěte do autosedačky stiskněte tlačítko pro otáčení (S) a otočte autosedačku, dokud se nezajistí v poloze proti směru jízdy.



Vyjmutí autosedačky Axkid SPINKID 2 z vozidla

14

Zvedněte autosedačku a stiskněte tlačítko opěrné nohy (Q). Stáhněte opěrnou nohu (P) do její nejkratší polohy.

15

Stiskněte tlačítko pro uvolnění opěrného oblouku (I) a sklopte opěrný oblouk (H) směrem k sedadlu, aby se uvolnilo napětí vůči sedadlu vozidla.

16

Odpojte konektory ISOFIX (U) stisknutím tlačítek ISOFIX (T) a posunutím konektorů směrem dozadu, od sedadla vozidla. Uchopte opěrný oblouk (H) a druhou rukou základnu sedačky (O) a vyjměte autosedačku Axkid SPINKID 2 z vozidla. Stiskněte tlačítka ISOFIX (T) a zasuňte konektory ISOFIX (U) zpět do jejich nejnižší polohy.

Péče a údržba

Textilní potah sedačky lze prát v pračce na jemný program při 30 °C. Nepoužívejte sušičku, protože by mohlo dojít k poškození potahu a oddělení výplně od látky. Na stránkách www.axkid.com najdete videa s návodem, jak potah sundat a znovu nasadit.

Sejmutí textilního potahu:

- Uvolněte stroj stisknutím tlačítka pro uvolnění stroje (K) a současně vytáhněte oba ramenní popruhy (F).
- Opatrně stáhněte potah z opěrky hlavy (C).
- Snižte opěrku hlavy (C) do nejnižší polohy.
- Uvolněte přezku stisknutím tlačítka pro uvolnění přezky (G) a sejmete kryt přezky.
- Rozepněte čtyři knoflíky na vnitřní straně opěradla a jemně stáhněte textilní potah z autosedačky. Dávejte pozor na plastové části, aby nedošlo k poškození látky. Netáhněte příliš silně.
- Otevřete ramenní polstrování (E) a opatrně je odlepte z suchého zipu.

Nasazení textilního potahu:

- Postupujte opačně podle výše uvedených kroků.
- Ramenní polstrování lze upevnit v různých polohách. Umístěte je tak, aby odpovídala postavě dítěte – měla by být umístěna na ramenou a hrudniku dítěte. Ujistěte se, že gumová strana polstrování směřuje k hrudniku dítěte.

Pokud je třeba textilní potah vyměnit, používejte pouze originální výrobky značky Axkid. Použití jiných výrobků může ohrozit funkčnost bezpečnostního systému autosedačky Axkid a v případě nehody vést k vážnému zranění.

Plastové části autosedačky Axkid lze čistit jemným čisticím prostředkem a vodou. Nepoužívejte agresivní chemikálie obsahující rozpouštědla nebo podobné látky, protože by mohly poškodit plast a ohrozit bezpečnost autosedačky.

Recyklace autosedačky



Společnost Axkid důrazně doporučuje recyklaci starých autosedaček.

Před odevzdáním autosedačky do místní recyklační stanice odstříhnete popruhy stroje ze sedačky, odstraňte textilní potah a co nejvíce polystyrenových dílů. Pokud je to možné, oddělte kovové a plastové části.



Hlavní část autosedačky by měla být označena jako nebezpečná nebo proslá (použijte permanentní fix), aby se zabránilo jejímu opětovnému použití.

Dodržujte místní pokyny obce pro recyklaci jednotlivých materiálů.

Záruka

Na autosedačku Axkid se vztahuje záruka 24 měsíců od data zakoupení. Uchovejte si účtenku a v případě reklamace ji předložte v místě nákupu.

Záruka se nevztahuje na:

- Běžné opotřebení.
- Poškození způsobené nesprávným používáním, zanedbáním nebo nehodou.
- Opravy provedené třetí stranou.
- Všechny použité materiály mají velmi vysokou odolnost proti UV záření. UV záření je však velmi agresivní a časem způsobí vyblednutí potahů sedadel, což se považuje za běžné opotřebení a není kryto zárukou.
- S autosedačkou zacházejte opatrně. Nikdy ji nepřenášejte za opěrku hlavy.
- Záruka se nevztahuje na poškození funkčních částí autosedačky z důvodu zanesení mechanismu živem užívání (např. konzumací jídla a nápojů, pískem, blátem a podobně).

نشرك على اختيار Axxid SPINKID 2

اقرأ كتيب الإرشادات هذا قبل تركيب مقعد الأطفال في سيارتك. للاطلاع على المزيد من المعلومات ومشاهدة مقاطع فيديو حول عملية التركيب، تفضل بزيارة موقع www.axkid.com.

Axxid SPINKID 2 هو مقعد سيارة موجه إلى الخلف ومعتمد للأطفال الذين يتراوح طولهم بين 40 و105 سم، ووزنهم ≥ 18 كغ.

وهذا المقعد عبارة عن نظام معزّز لتقييد حركة الطفل داخل السيارة صُمم وفق معيار i-Size. كما أنه معتمد وفق لائحة الأمم المتحدة رقم 129 للاستخدام في وضعيات إجلال الطفل في السيارة بما يتوافق مع معيار i-Size على النحو الذي تُحدده شركات تصنيع السيارات في دليل مستخدم السيارة. في حالة عدم التأكد من أي خطوة أو إجراء، عليك استشارة شركة تصنيع النظام المعزّز لتقييد حركة الطفل في السيارة (z.axkid.com) أو بائع التجزئة.

معلومات مهمة

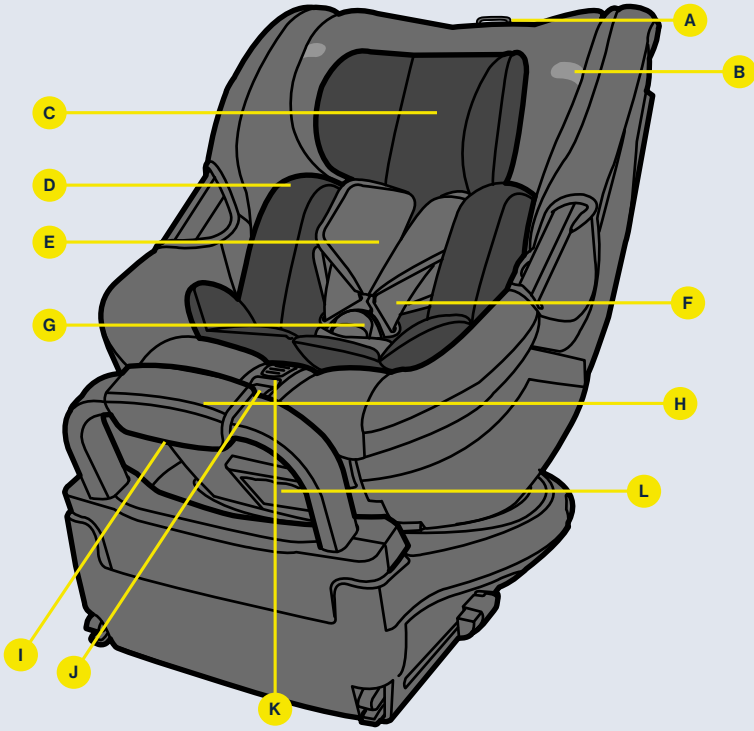
لزيادة سلامة طفلك، من المهم مراعاة ما يلي:

- اتبع دائماً التعليمات الواردة في هذا الكتيب. قد يتسبب التركيب غير الصحيح للكرسي في تعريض سلامة طفلك لضرر جسيم. في حالة عدم التأكد من أي خطوة أو إجراء، عليك الاتصال ببائع التجزئة الذي سيكون بإمكانه توضيح طريقة التركيب السليمة.
- احتفظ بدليل التعليمات هذا للرجوع إليه في المستقبل. في حالة فقدان الكتيب، يمكنك إيجاده في الموقع www.axkid.com
- لا تستخدم مقعد الأطفال في موضع جلوس يحتوي على وسادة هوائية أمامية نشطة. إذا كنت لا تزال ترغب في تركيب مقعد الأطفال في هذا الموضع، يجب إيقاف تشغيل الوسادة الهوائية وفقاً لإرشادات الشركات المصنعة للسيارات.
- في حالة التعرض لحادث، مهما كان بسيطاً، يجب دائماً تغيير كرسي السيارة. قد يكون له ضرر غير مرئي، كما يمكن أن يؤثر بشكل خطير في سلامة طفلك. لهذا السبب، لا توصي Axxid بشراء كرسي سيارة مستعملة لطفلك.
- في حالة تعرض مقعد الأطفال لضوء الشمس المباشر، تأكد من عدم سخونة مقعد السيارة بدرجة كبيرة للغاية قبل تركيب طفلك.
- لا تترك طفلك مطلقاً في السيارة مفردة دون مراقبته.
- تأكد من إحكام تثبيت أي أمتعة أو أغراض سائبة في سيارتك؛ حيث إنها قد تتسبب في إلحاق إصابات بالركاب في حالة وقوع حادث.
- تأكد من تركيب مقعد الأطفال بطريقة لا تصبح معها أي أجزاء عالقة بفعل المقاعد المتحركة، وأبواب السيارة، إلى غير ذلك.
- لا تحاول فك أي جزء من مقعد الأطفال أو تعديله. فقد يتأثر الضمان وأداء السلامة الخاص بمقعد السيارة Axxid في حالة القيام بذلك.
- يحظر تماماً استخدام مقعد الأطفال دون غطاءه المصنوع من القماش. فغطاء المقعد المصنوع من القماش هو ميزة سلامة ويجب عدم استبداله إلا بغطاء مقعد أصلي مصنوع من القماش من Axxid.
- اطّلع على كتيب السيارة وقائمة السيارات على www.axkid.com لمعرفة أماكن الجلوس المناسبة لكرسي السيارة هذا.
- توصي شركة Axxid باستخدام واقى الكرسي دائماً لحماية مقعد سيارتك من الخدوش والقاذورات.
- وإن راودك أدنى شك، فاتصل بجهة البيع التي اشتريت منها مقعد السيارة أو تواصل مع info@axkid.com.
- لا يمكن تركيب مقعد الأطفال هذا إلا في وضع موجه للخلف.
- تأكد دائماً من ضبط حمالة الأمان بما يتلاءم بشكل صحيح مع وزن طفلك. يتم ضبط حمالة الأمان بتحريك دعامة الرأس.
- تأكد من دفع ظهر الطفل نحو كرسي السيارة عند تثبيت طفلك باستخدام حزام الأمان.
- تأكد دائماً من ربط حمالة الأمان بإحكام على طفلك ومن إقفال الإبزيم بالكامل، ويجب ألا تكون قادراً على إمساك الأشرطة بيديك.
- تأكد من عدم وجود التواء في حمالة الأمان.
- تأكد دائماً من أن ساق المسند في موضعها الصحيح وأنها ملائمة لأرضية السيارة. تُعدّ ساق المسند إحدى خواص السلامة الهامة للغاية، وتُصمّم بغرض زيادة سلامة طفلك في حالة وقوع حادث.

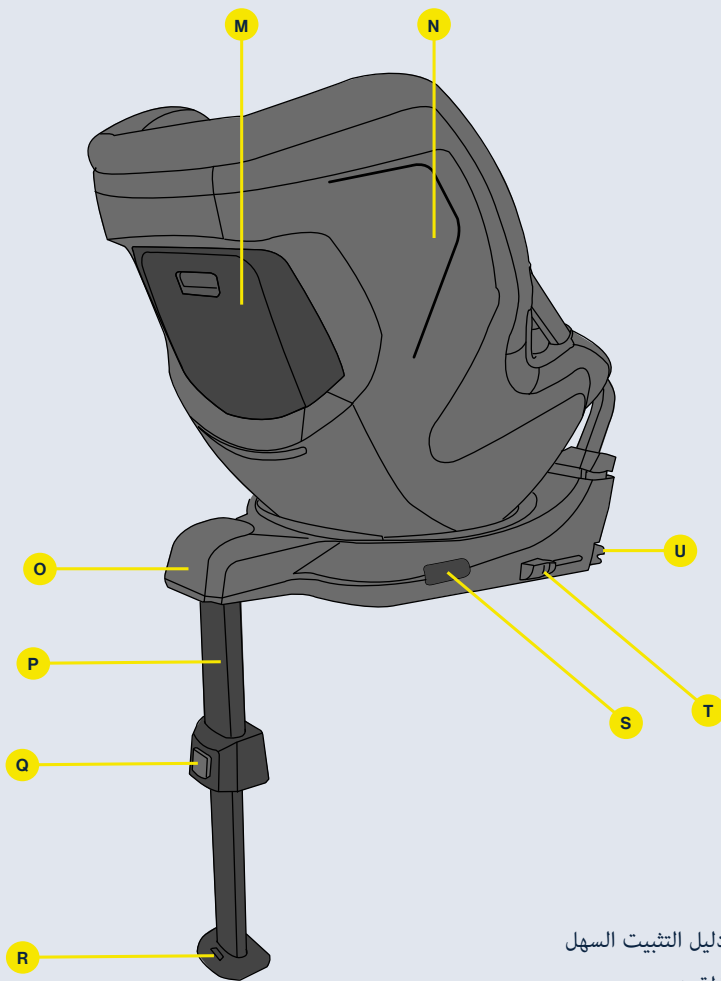
جدول المحتويات

142	الأجزاء
144	Axkid SPINKID 2 السيارة لكروسي المسموح بها وغير المسموح بها لكروسي السيارة
145	تركيب كروسي السيارة Axkid SPINKID 2 في السيارة
146	تثبيت طفلك في كروسي السيارة Axkid SPINKID 2
147	عمليات ضبط المقعد
147	إزالة كروسي السيارة Axkid SPINKID 2 من السيارة
148	العناية والصيانة
149	الضمان

القطع



- A زر ضبط مسند الرأس
- B مؤشر مستوى العين
- C مسند الرأس
- D حشية للرضع (≥ 75 سم)
- E وسادات الكتفين
- F شريطاً الكتفين
- G زر تحرير الإبزيم
- H الدعامة الأمامية
- I زر تحرير الدعامة الأمامية
- J شريط شد حمالة الأمان
- K زر تحرير حمالة الأمان
- L ذراع ضبط الإمالة



مكان دليل التثبيت السهل M

جسم المقعد N

قاعدة المقعد O

ساق المسند P

زر ساق المسند Q

مؤشر ساق المسند R

زر التدوير S

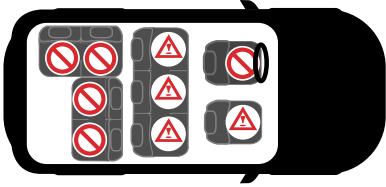
زر ISOFIX مع مؤشر T

موصلات ISOFIX U



المواضع المسموح بها وغير المسموح بها لمقعد السيارة Axkid SPINKID 2

لا يمكن تركيب مقعد السيارة Axkid SPINKID 2 إلا في وضع مواجه للخلف باستخدام نظام ISOFIX. وهو معتمد للاستخدام في كل أماكن الجلوس الحاصلة على اعتماد i-Size، لكن قد يكون مناسباً أيضاً للاستخدام في أماكن جلوس أخرى تستخدم نظام ISOFIX وغير



نعم/لا*	مقعد الراكب الأمامي مع نظام ISOFIX (دون وسادة هوائية نشطة)
لا	مقعد الراكب الأمامي مع نظام ISOFIX (وسادة هوائية نشطة)
نعم	مقعد الراكب الخلفي مع نظام ISOFIX
لا	المقاعد المواجهة للجانب والخلف مع نظام ISOFIX
لا	المقاعد دون نظام ISOFIX

حاصلة على اعتماد i-Size. راجع كتيب إرشادات سيارتك لمعرفة أماكن الجلوس المناسبة وراجع قائمة السيارات على www.axkid.com

ملاحظة مهمة: إذا كنت تريد تركيب مقعد الأطفال Axkid SPINKID 2 في موضع مُركب به وسادة هوائية أمامية، يجب فصل الوسادة الهوائية وفقاً لإرشادات الشركة المصنعة لسيارتك. ومن الجدير بالذكر أن بعض السيارات تحتاج إلى الذهاب إلى مركز خدمة معتمد لفصل الوسادة الهوائية.

* تنص اللائحة العامة للمرور في إسبانيا، في المادة 117، على حظر القيادة مع أطفال بطول قامة يساوي أو يقل عن 135 سم في المقاعد الأمامية للسيارة، دون استثناء.



يحظر تمامًا تركيب مقعد تثبيت الأطفال في أي مقعد
راكب يحتوي على وسادة هوائية نشطة.





تركيب مقعد السيارة Axxid SPINKID 2 في السيارة

1 قم بطي ساق المسند (P).

2 حرّر الدعامة الأمامية (H) بالضغط على زر التحرير (I) وقم بطي الدعامة الأمامية نحو المقعد.

3 اضغط على أزرار ISOFIX انظر (T) وقم بتمديد موصلات ISOFIX انظر (U) حتى تستقر في أقصى وضع خارجي.

4 أمسك الدعامة الأمامية (H) وقاعدة المقعد (O) باليد الأخرى وارفع مقعد السيارة Axxid SPINKID 2 في سيارتك. ادفع موصلات ISOFIX انظر (U) داخل نقاط توصيل ISOFIX في السيارة إلى أن تسمع صوت نقرة ويتحول كلا مؤشري زر ISOFIX انظر (T) إلى اللون الأخضر. حرر الدعامة الأمامية (H) بالضغط على زر التحرير (I) وقم بطي الدعامة الأمامية نحو مقعد السيارة. ادفع مقعد السيارة إلى أقصى حد ممكن باتجاه مقعد السيارة. يجب الضغط بقوة على الدعامة الأمامية (H) على مقعد السيارة.


5 ارفع مقعد السيارة إلى أعلى واضغط على زر ساق المسند (Q). اضغط على ساق المسند (P) إلى أسفل إلى أن تلامس أرضية السيارة. أفلت زر ساق المسند (Q) وقم بتمديد ساق المسند (P) حتى تسمع صوت طقطقة. يجب الآن قفل ساق المسند (P) وضغطها بإحكام على أرضية السيارة.

ملاحظة: ساق المسند مجهز بمؤشر بصري (R) سيتحول إلى اللون الأخضر عند الضغط على ساق المسند بقوة على الأرضية؛ ما يشير إلى التركيب الصحيح.



تثبيت طفلك في مقعد السيارة Axkid SPINKID 2

قبل تثبيت طفلك في مقعد السيارة Axkid SPINKID 2، تأكد من تركيب الجزء الداخلي الصحيح في المقعد. تم تصميم Axkid SPINKID 2 بحيث يتوافق حجمه مع نمو طفلك ولضمان توفيره مستوى ملائم من الراحة والأمان للأطفال. توصي شركة Axkid باستخدام الجزء الداخلي حتى يُصبح الكرسي ضيقاً للغاية على طفلك، لكن بحد أدنى للطول وفقاً للجدول أدناه (لاحظ أن السن مجرد مؤشر):

السن	الطول	
الطفل الرضيع 0-سنة واحدة	40 - 75 سم	
الطفل في مرحلة الحبو سنة-4 سنوات	76 - 105 سم	لا يوجد جزء داخلي

6 اضغط على زر الدوران (S). قم بتدوير مقعد الطفل حتى يستقر في أقصى وضع خارجي بإحكام.

7 حرر حمالة الأمان بالضغط على زر تحرير حمالة الأمان (K) واسحب إلى الخارج كلاً شريطي الكتفين (F) في الوقت نفسه. ملاحظة: تجنب سحب شريط واحد فقط في كل مرة، حيث قد يتسبب ذلك في عدم تساوي طول شريطي الكتفين.

8 افتح الإبزيم بالضغط على زر تحرير الإبزيم (G) وقم بتوصيل موصلات الإبزيم أعلى المغناطيس الموجود على حافة المقعد.

9 اسحب زر ضبط مسند الرأس (A) وحرك مسند الرأس إلى أعلى أو إلى أسفل إلى أن تصبح مؤشرات مستوى العين (B) متسقة مع عيني طفلك.

ملاحظة: يجب عدم استخدام مؤشرات مستوى العين (B) عند استخدام الجزء الداخلي الخاص بالرضيع. تأكد دائماً من وجود مسند الرأس في أدنى وضع عند استخدام SPINKID 2 للرضع.

10 ضع طفلك في المقعد وضع شريطي الكتفين (F) على كتف طفلك. أفل حمالة الأمان بوضع أجزاء الإبزيم المتصلة بأشرطة الكتف (F) معاً أولاً ثم دفعها داخل الإبزيم إلى أن تسمع صوت نقرة.

11 تأكد من خروج شريطي الكتفين (F) إلى المقعد مباشرةً من كتف طفلك أو من مسافة 1 سم على الأكثر فوقهما. قد تحتاج إلى ضبط مسند الرأس (C) مرة أخرى، حتى إذا أدى ذلك إلى عدم توازي مؤشر مستوى العين مع عيني طفلك. اسحب الآن شريطي الكتفين (F) لربط حمالة الأمان على وركي طفلك. على الرغم من الحفاظ على شد شريطي الكتفين (F)، عليك سحب شريط شد حمالة الأمان (J) حتى يتم شد الحزام بدرجة كافية. يجب أن تكون المسافة بين شريطي الكتفين (F) وكتفي طفلك لا تزيد عن وضع إصبع واحد.



ضبط المقعد

بعد تركيب مقعد السيارة Axxkid SPINKID 2 في سيارتك، يمكنك ضبط موضع إمالة طفلك بسهولة. يمكن القيام بذلك أيضًا وطفلك مثبت في مقعد السيارة.

اسحب ذراع ضبط الإمالة (L) لضبط المقعد في أحد المواضع الأربعة الثابتة.

12

بعد تثبيت الطفل بإحكام في المقعد، اضغط على زر التدوير (S) وأدر مقعد الطفل حتى يستقر في الوضع المواجه للخلف.

13



إزالة مقعد السيارة Axxkid SPINKID 2 من سيارتك

ارفع مقعد السيارة إلى أعلى واضغط على زر ساق المسند (Q). قم بطي ساق المسند (P) إلى أقصر وضع له.

14

اضغط زر تحرير الدعامة الأمامية (A) و قم بطي الدعامة الأمامية (H) نحو المقعد لتحرير الشد على مقعد السيارة.

15

افصل موصلات ISOFIX انظر (U) بالضغط على أزرار ISOFIX انظر (T) ثم أرحها للخلف بعيداً عن مقعد السيارة. أمسك الدعامة الأمامية (H) وقاعدة المقعد (O) باليد الأخرى وارفع مقعد السيارة Axxkid SPINKID 2 خارج سيارتك. اضغط على أزرار ISOFIX انظر (T) واسحب موصلات ISOFIX انظر (U) حتى تستقر في موضعها الداخلي.

16

العناية والصيانة

يمكن غسل غطاء المقعد المصنوع من القماش في الغسالة على درجة حرارة 30 درجة مئوية في دورة خفيفة. لا تضع الغطاء في مجفف الملابس نظرًا لأنه قد يؤدي إلى إتلاف الغطاء فضلاً عن إمكانية انفصال البطانة عن القماش. تفضل زيارة www.axkid.com للعثور على مقاطع فيديو توضح كيفية فك الغطاء وتركيبه.

انزع الغطاء المصنوع من القماش:

- حرر حمالة الأمان بالضغط على زر تحرير حمالة الأمان (K) وسحب كِلا شريطي الكتفين (F) إلى الخارج في الوقت نفسه.
- اسحب الغطاء بحرص من مسند الرأس (C).
- اخفض مسند الرأس (C) إلى أدنى موضع.
- قم بفك إبرزيم حمالة الأمان بالضغط على زر تحرير الإبرزيم (G) وانزع غطاء الإبرزيم.
- قم بفك الأزرار الأربعة الموجودة في مسند الظهر على الجزء الداخلي من مقعد السيارة، وانزع الغطاء المصنوع من القماش برفق من مقعد السيارة. كن حذرًا عند التعامل مع الأغشية البلاستيكية حتى لا تتلف القماش. لا تسحب بقوة.
- افتح وسادتي الكتفين (E)، وانزعهما برفق من Velcro.

ركّب الغطاء المصنوع من القماش

- اعكس الخطوات الواردة أعلاه لتركيّب الغطاء على كرسي الأطفال مرة أخرى.
- لاحظ أنه يمكن تركيب وسادتي الكتفين في أوضاع مختلفة. ركبهما في وضع مناسب لطفلك، ويجب وضع وسادتي الكتفين أعلى الكتفين وعلى صدر طفلك. احرص أيضًا على أن يكون الجانب المطاطي من وسادة الكتف في مواجهة صدر طفلك.

إذا أردت تغيير غطاء المقعد المصنوع من القماش، فاحرص على استخدام منتجات أصلية من Axkid فقط. في حالة استخدام منتجات أخرى، قد يؤثر ذلك بالسلب في نظام السلامة الخاص بمقعد الأطفال Axkid، وقد تحدث إصابة خطيرة أو وفاة في حالة وقوع حادث. يمكن تنظيف أي أجزاء بلاستيكية في مقعد الأطفال Axkid باستخدام سائل تنظيف خفيف وماء. لا تستخدم مواد كيميائية قوية تحتوي على مركبات مذيبة أو ما شابه؛ إذ قد تتسبب في إتلاف الأجزاء البلاستيكية وتؤثر في سلامة مقعد السيارة تأثيرًا سلبيًا.

إعادة تدوير مقعد الأطفال

توصي Axkid بشدة بإعادة تدوير مقاعد السيارة القديمة. قبل ترك المقعد في مركز إعادة التدوير المحلي لديك، اقطع أشرطة حمالة الأمان من المقعد، وقيم بإزالة غطاء القماش، وإزالة أكبر قدر ممكن من الحشو الرغوي، وافصل الأجزاء المعدنية والبلاستيكية إن أمكن. يجب وضع علامة على الجزء الرئيسي للمقعد لتوضيح أنه غير آمن للاستخدام أو منتهي الصلاحية (استخدم قلم تحديد) لتنبيه أي شخص حتى لا يستخدمه مرة أخرى. يرجى التحقق من إرشادات البلدية المحلية لديك لمعرفة تعليمات إعادة التدوير للمواد المختلفة.



الضمان

مقعد الأطفال من Axkid مشمول بضمان لمدة 24 شهراً من تاريخ الشراء. تأكد من حفظ الإيصال وإحضاره إلى مكان الشراء إذا كانت لديك أي مشكلات تتعلق بالضمان لا يغطيها الضمان.

- التآكل والتلف العاديّين.
- التلف نتيجة الاستخدام غير الصحيح، أو الإهمال، أو الحوادث.
- في حالة تنفيذ أعمال الإصلاح بمعرفة جهة خارجية.
- جميع المواد المستخدمة لها تصنيف مرتفع للغاية من حيث مقاومة الأشعة فوق البنفسجية. بيد أن ضوء الأشعة فوق البنفسجية هو ضوء قوي للغاية وسيؤدي في النهاية إلى بهتان غطاء المقعد. لا يغطي الضمان الخاص بنا هذا التلف نظراً لأنه يعتبر من أنواع البلى والتمزق الناتجة عن الاستخدام العادي.
- تعامل مع المقعد بحرص. لا تحمل الكرسي عن طريق الإمساك بمسند الرأس.

Axkid SPINKID 2をお選びいただきありがとうございます

チャイルドシートを車に取り付ける前に、本取扱説明書をお読みください。
詳細と取り付けに関するビデオについては、www.axkid.comをご覧ください。

Axkid SPINKID 2は、身長40～105cm、体重18 kg以下のお子様にも認可された後ろ向きチャイルドシートです

これは、サイズ強化型拘束システムです。協定規則第129号に従って、車両メーカーが車両ユーザーマニュアルで指定するサイズ対応車両座席位置での使用が承認されています。ご不明な点がある場合は、改良型年少者用補助乗車装置のメーカー (www.axkid.com) または販売店にご相談ください。

重要情報

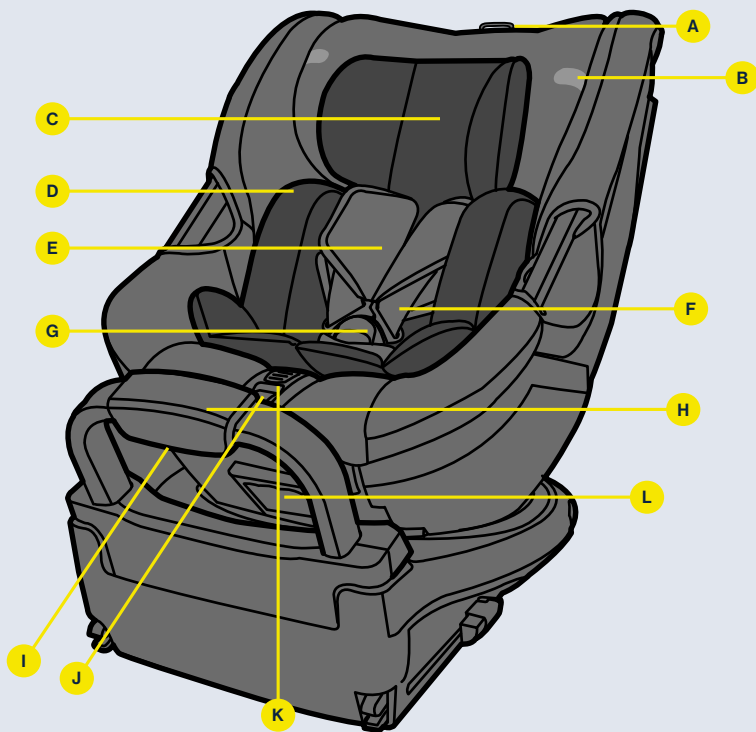
お子様の安全を最大限に確保するためには、次の点に留意することが重要です。

- 必ずこのマニュアルの指示に従ってください。誤った取り付けは、お子様の安全に重大な影響を及ぼす可能性があります。ご不明な点がある場合は、正しい取り付け方法を説明できる販売店にお問い合わせください。
- この取扱説明書は将来参照できるよう保管してください。説明書を紛失した場合は、www.axkid.comからオンラインで検索できます
- チャイルドシートを、アクティブフロントルエアバッグが装備されている座席位置で使用しないでください。それでもこの場所にチャイルドシートを取り付けたい場合は、車両メーカーの指示に従ってエアバッグのスイッチをオフにする必要があります。
- どんなに小さな事故であっても、チャイルドシートは必ず交換する必要があります。目に見えない損傷があり、お子様の安全に重大な影響を及ぼす可能性があります。このため、Axkidは中古のチャイルドシートの購入を推奨していません。
- チャイルドシートが直射日光にさらされていた場合は、お子様を乗せる前にチャイルドシートが熱すぎないことを確認してください。
- お子様を車内に置き去りにしないでください。
- 事故の際に同乗者に怪我をさせる恐れがあるため、荷物や緩んだ物を車内に固定するようにしてください。
- チャイルドシートは、可動式シートや車のドアなどに部品が挟まれないように取り付けてください。
- チャイルドシートのいかなる部分も分解したり、改造したりしないでください。そのようなことをすると、Axkidチャイルドシートの保証と安全性能に影響を及ぼす可能性があります。
- テキスタイルカバーなしでチャイルドシートを使用しないでください。シートテキスタイルカバーは安全機能であり、Axkid純正シートテキスタイルカバーとのみ交換できます。
- 車両ハンドブックおよびwww.axkid.comの車両リストを参照し、このチャイルドシートに適合する座席位置をご確認ください。
- Axkidは、車のシートを傷や汚れから保護するために、常にシートプロテクションを使用することを推奨しています。
- 不明な点がある場合は、チャイルドシートを購入した販売店またはinfo@axkid.comまでお問い合わせください。
- チャイルドシートは、後ろ向きでのみ取り付けることができます。
- ハーネスがお子様の体に正しくフィットするように常に調整してください。ハーネスはヘッドサポートを動かすことで調整されます。
- ハーネスでお子様を拘束する際は、お子様の背中がチャイルドシートに押し付けられていることを確認してください
- ハーネスがお子様にしっかりと締め付けられ、バックルが完全にロックされていることを常に確認してください。ストラップを挟むことがないようにしてください。
- ハーネスにねじれがないことを確認してください。
- サポートレッグが正しい位置にあり、車のフロアに接触していることを必ず確認してください。サポートレッグは、事故時のお子様の安全性を最大限に高めるために設計された非常に重要な安全機能です。

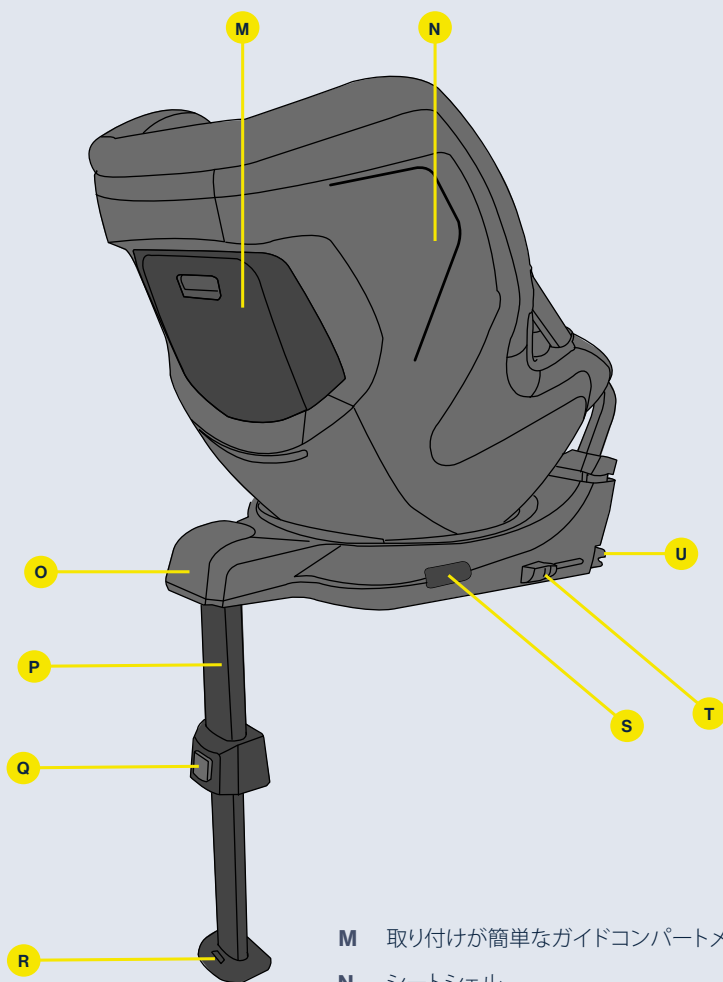
目次

部品	152
Axkid SPINKID 2チャイルドシートの取り付け可能位置と禁止位置	154
Axkid SPINKID 2チャイルドシートの車両への取り付け	155
Axkid SPINKID 2チャイルドシートへのお子様の拘束	156
シート調整	157
Axkid SPINKID 2チャイルドシートの車両からの取り外し	157
お手入れとメンテナンス	158
保証	159

部品



- A ヘッドレスト調整ボタン
- B 目の高さインジケーター
- C ヘッドレスト
- D インファントインサート (75cm以下)
- E ショルダーパッド
- F ショルダーストラップ
- G バックルリリースボタン
- H フロントブレース
- I フロントブレースリリースボタン
- J ハーネステンションストラップ
- K ハーネスリリースボタン
- L リクライニング調整レバー



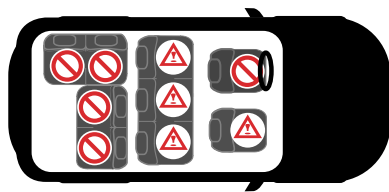
- M** 取り付けが簡単なガイドコンパートメント
- N** シートシェル
- O** シートベース
- P** サポートレッグ
- Q** サポートレッグボタン
- R** サポートレッグインジケーター
- S** 回転ボタン
- T** インジケーター付きISOFIXボタン
- U** ISOFIXコネクタ



Axkid SPINKID 2チャイルドシートの取り付け可能位置と禁止位置

Axkid SPINKID 2チャイルドシートは、ISOFIXを使用して後ろ向きにのみ取り付けることができます。すべてのiサイズ承認シート位置での使用が承認されていますが、他のiサイズ承認以外のISOFIXシート位置にも適合する可能性があります。車両の取扱説明書を参照して適切な座席位置を見つけ、www.axkid.comの車両リストを確認してください。

ISOFIX搭載助手席 (アクティブエアバッグなし)	はい/いいえ*
ISOFIX搭載助手席 (アクティブエアバッグ)	いいえ
ISOFIX搭載後部座席	はい
サイドシートと後ろ向きシート	いいえ
ISOFIX非搭載シート	いいえ



重要: フロントエアバッグが備え付けられている場所にAxkid SPINKID 2チャイルドシートを取り付ける場合は、自動車メーカーの指示に従ってエアバッグを取り外す必要があります。エアバッグを取り外すには、認定サービスセンターが必要な車両もありますのでご注意ください。

*スペインの交通一般規則は、その第117条で、身長135cm以下の子どもを車の助手席に乗せて運転することを例外なく禁止しています。



アクティブエアバッグが備え付けられている助手席にチャイルドシートを取り付けないでください。





Axkid SPINKID 2チャイルドシートの車両への取り付け

1

サポートレッグ(P)を折りたたみます。

2

リリースボタン(I)でフロントブレース(H)を放し、シートに向かってフロントブレースを折り曲げます。

3

ISOFIXボタン(T)を押し、ISOFIXコネクタ(U)を最も外側の位置まで伸ばします。

4

もう一方の手でフロントブレース(H)とシートベース(O)をつかみ、Axkid SPINKID 2チャイルドシートを持ち上げて車両に入れます。カチッという音がして両方のISOFIXボタンインジケータ(T)が緑色になるまで、ISOFIXコネクタ(U)を車両のISOFIX接続ポイントに押し込みます。リリースボタン(I)でフロントブレース(H)を放し、車のシートに向かってフロントブレースを折り曲げます。チャイルドシートを可能な限り車のシートの方に押しします。フロントブレース(H)を車のシートにしっかりと押し付けます。

5

チャイルドシートを上を持ち上げ、サポートレッグボタン(Q)を押します。サポートレッグ(P)を車のフロアに接触するまで下方に引きます。サポートレッグボタン(Q)から手を離し、カチッという音がするまでサポートレッグ(R)をさらに伸ばします。これでサポートレッグ(P)がロックされ、車両のフロアにしっかりと押し付けられます。

注意: サポートレッグには、視覚的なインジケータ(R)が装備されています。サポートレッグがフロアにしっかりと押し付けられると緑色で表示され、正しく取り付けられていることを示します。



Axkid SPINKID 2チャイルドシートへのお子様の拘束

Axkid SPINKID 2チャイルドシートにお子様を拘束する前に、シートに正しいインサートが取り付けられていることを確認してください。Axkid SPINKID 2は、お子様の成長に合わせ、快適かつ安全にフィットするよう設計されています。Axkidでは、インサートがお子様にとって窮屈になるまで使用することを推奨していますが、下記の表に従って最小限の長さになるようにしてください(年齢は単なる目安であることに注意してください)。

年齢	身長	
幼児 0~1歳	40~75cm	
幼児 1~4歳	76~105cm	インサートなし

6

回転ボタン(S)を押します。チャイルドシートを最も外側の位置にロックされるまで回転させます。

7

ハーネスリリースボタン(K)を押してハーネスを緩め、両方のショルダーストラップ(F)を同時に引き出します。注意:一度に片方のストラップだけを引っ張ると、ショルダーストラップが片寄る原因となりますので、避けてください。

8

バックルリリースボタン(G)を押してバックルのロックを解除し、シートリムにあるマグネットの上にバックルコネクタを取り付けます。

9

ヘッドレスト調整ボタン(A)を引き、目の高さインジケーター(B)がお子様の目線と一致するまでヘッドレストを上下にスライドさせます。

注意:インファントインサートを使用する際は、目の高さインジケーター(B)を使用しないでください。幼児にSPINKID 2を使用する場合は、ヘッドレストが最低位置にあることを必ず確認してください。

10

お子様をシートに座らせ、ショルダーストラップ(F)をお子様の肩にかけてください。まず、ショルダーストラップ(F)に取り付けられているバックルのパーツを合わせ、カチッと音がするまでバックルに押し込み、ハーネスをロックします。

11

ショルダーストラップ(F)がお子様の肩からまっすぐ、または最大1cm上の位置でシートに通されていることを確認してください。目の高さインジケーターがお子様の目線と合わなくなる場合でも、ヘッドレスト(C)を再度調整する必要がある場合があります。次にショルダーストラップ(F)を引いて、お子様の腰の上でハーネスを締めます。ショルダーストラップ(F)の張力を維持しながら、ハーネスが十分に締め付けられるまでハーネステンションストラップ(J)を引っ張りします。ショルダーストラップ(F)とお子様の肩の間に、指が1本以上入る余地があってははいけません。



シート調整

Axkid SPINKID 2チャイルドシートを車両に取り付けた後は、お子様のリクライニング位置を簡単に調整できます。これは、お子様がチャイルドシートに拘束されている間にも行うことができます。

12

リクライニング調整レバー (L) を引いて、シートを4つの固定位置のいずれかに調整します。

13

お子様をシートにしっかりと固定した後、回転ボタン (S) を押しながらチャイルドシートを回転させ、後ろ向きの位置にロックします。



Axkid SPINKID 2チャイルドシートの車両からの取り外し

14

チャイルドシートを上を持ち上げ、サポートレッグボタン (Q) を押します。サポートレッグ (P) を最も短い位置まで折りたたみます。

15

フロントブレースリリースボタン (I) を押し、フロントブレース (H) をシートに向かって折り曲げて、車のシートに対する張力を解放します。

16

ISOFIXボタン (T) を押し下げてISOFIXコネクタ (U) を外し、車のシートから離れる方向へ後方にスライドさせて取り外します。もう一方の手でフロントブレース (H) とシートベース (O) をつかみ、Axkid SPINKID 2チャイルドシートを持ち上げて車両から取り出します。ISOFIXボタン (T) を押し、ISOFIXコネクタ (U) を最も内側の位置まで引き込みます。

お手入れとメンテナンス

シートテキスタイルカバーは30°Cで洗濯機のデリケート洗いが可能です。カバーを乾燥機に入れしないでください。カバーを傷めたり、パッドが生地から剥がれたりする恐れがあります。www.axkid.comにアクセスして、カバーの取り外しと取り付け方法を説明するビデオをご覧ください。

テキスタイルカバーの取り外し:

- ハーネスリリースボタン (K) を押してハーネスを緩め、両方のショルダーストラップ (F) を同時に引き出します。
- ヘッドレスト (C) からカバーを慎重に引き抜きます。
- ヘッドレスト (C) を最も低い位置まで下げます。
- バックルリリースボタン (G) を押してハーネスバックルのロックを解除し、バックルカバーを取り外します。
- チャイルドシートの内側にある背もたれの4つのボタンを外し、チャイルドシートからテキスタイルカバーをそっと取り外します。テキスタイルを傷めないよう、プラスチックカバーの周りに注意してください。強く引っ張りすぎないようにしてください。
- ショルダーパッド (E) を開き、マジックテープからそっと外します。

テキスタイルカバーの取り付け:

- 上記の手順を逆にして、テキスタイルカバーをチャイルドシートに再度取り付けます。
- ショルダーパッドはさまざまな位置に取り付け可能です。ショルダーパッドはお子様に適した位置に取り付けてください。お子様の肩の上と胸の上に配置する必要があります。また、ショルダーパッドのゴム面がお子様の胸側を向くようにしてください。

テキスタイルシートカバーの交換が必要な場合は、必ずAxkid純正品のみを使用してください。他の製品を使用した場合、Axkidチャイルドシートの安全システムが損なわれる可能性があり、事故の際に重傷を負う可能性があります。Axkidチャイルドシートのプラスチック部品は、中性洗剤と水で洗うことができます。プラスチックに損傷を与え、チャイルドシートの安全性を損なう可能性があるため、溶剤などを含む強力な化学薬品は使用しないでください。

チャイルドシートのリサイクル

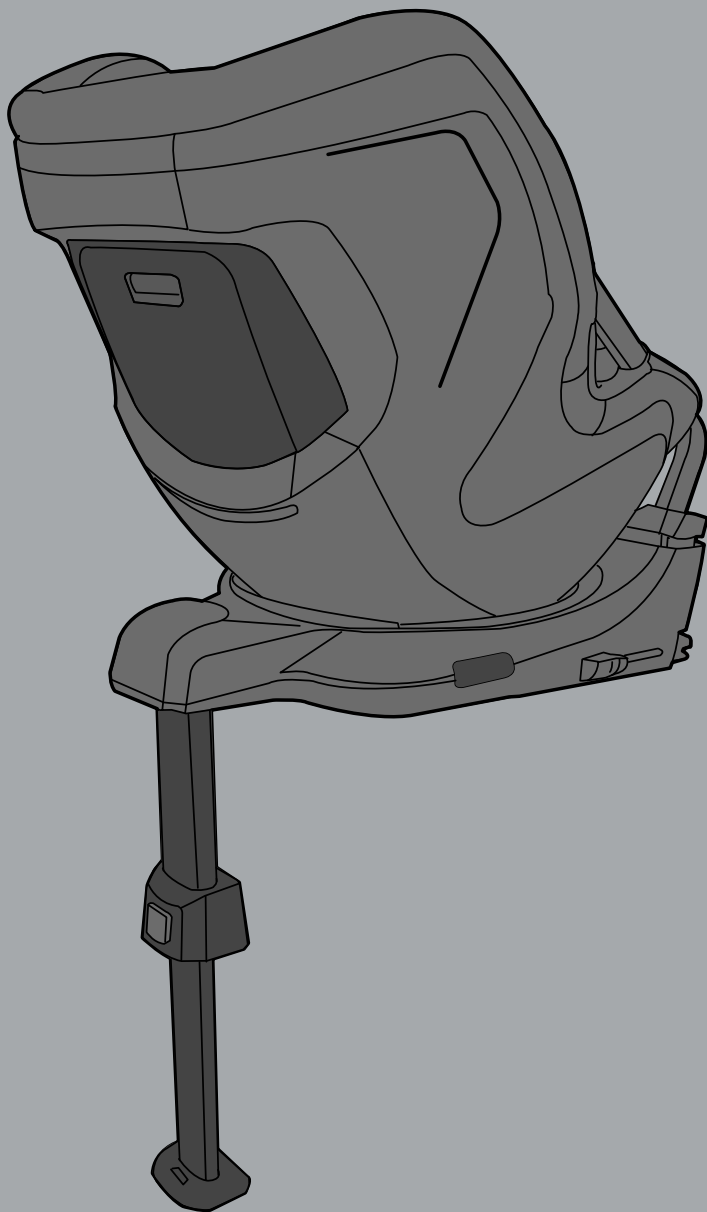


Axkidは、古いチャイルドシートのリサイクルを強く推奨しています。お近くのリサイクルステーションに委ねる前に、シートからハーネスストラップを切り離し、テキスタイルカバーを取り外し、発泡スチロール部品をできるだけ取り除き、可能であれば金属部品とプラスチック部品を分別してください。シートの主要部分には、安全でない、または使用期限切れの印を付け（マーカを使用）、再び使用しないようにします。各素材のリサイクル方法については、お住まいの自治体のガイドラインをご確認ください。

保証

Axkidチャイルドシートには、購入日から24か月の保証が付いています。領収書を必ず保管し、保証が適用されないなど、保証に関する問題がある場合は購入店に持参してください。

- 通常使用による損傷。
- 誤った使用、不注意、事故による損傷。
- 第三者によって修理が行われた場合。
- 使用されているすべての素材は、非常に高い耐紫外線性を備えています。ただし、紫外線は非常に攻撃的であり、最終的にはシートカバーの色あせにつながります。これは通常使用による損傷と見なされるため、保証の対象外です。
- シートの取り扱いには注意してください。ヘッドレストを持ってシートを運ばないでください。



- EN
- BG
- ES
- PL
- PT
- UK
- DE
- HR
- FR
- CS
- SV
- AR
- NO
- JP
- FI

AXKID

© Copyright Axkid 2024
All rights reserved Axkid AB | Göteborgsvägen 94 | 431 37 Mölndal | Sweden